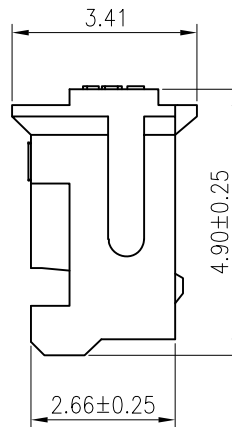
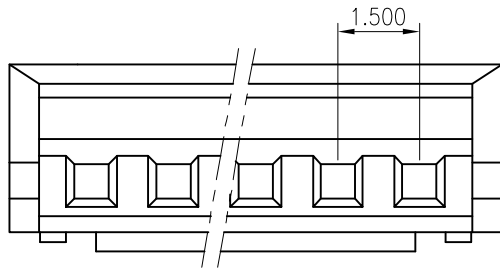
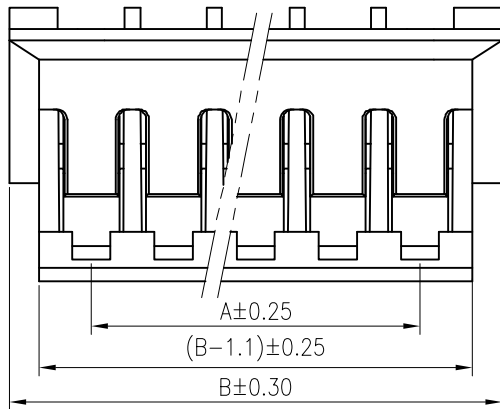
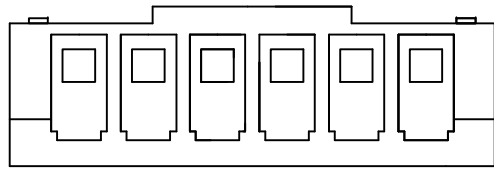


RoHS
COMPLIANT



◆ SPECIFICATIONS

- Current rating: 1A AC, DC
- Voltage rating: 100V AC, DC
- Temperature range: -40°C ~ +105°C
- Insulation resistance: 500MΩ Min.
- Withstanding voltage: 500V AC/ minute.
- Contact resistance: 20mΩ Max.

Material: Nylon 66 UL 94V-0
Suitable KR1501 series terminal
mates with KR1501 series wafer

Ordering Code:

H15010 1** ** 01B
102=2P — 01:PA66 UL94 V-0 white
103=3P
.....

Circuits	Dimensions		Circuits	Dimensions	
	A	B		A	B
2PIN	1.50	4.50	10PIN	13.50	16.50
3PIN	3.00	6.00	11PIN	15.00	18.00
4PIN	4.50	7.50	12PIN	16.50	19.50
5PIN	6.00	9.00	13PIN	18.00	21.00
6PIN	7.50	10.50	14PIN	19.50	22.50
7PIN	9.00	12.00	15PIN	21.00	24.00
8PIN	10.50	13.50	16PIN	22.50	25.50
9PIN	12.00	15.00			

TOLERANCE
X.X ±0.30
X.XX ±0.20
X.XXX ±0.10
Angle ±2°

TITLE:
ZH1.5 Housing
UNIT:mm SCALE:1/1

DRAWN: *ZS 2023.08.21*
CHECKED:
APPROVED:
SHEET:1/1 PROJECTION

KONNRA 东莞市康瑞电子有限公司
DongGuan Konnra Electronics Co.,Ltd.
PART NO.:H150101**0101B
REV.:A01 DRAWING NO.:1501H01-B-S

MARK	REVISION	DESCRIPTION	SIGNATURE	DATE
1				