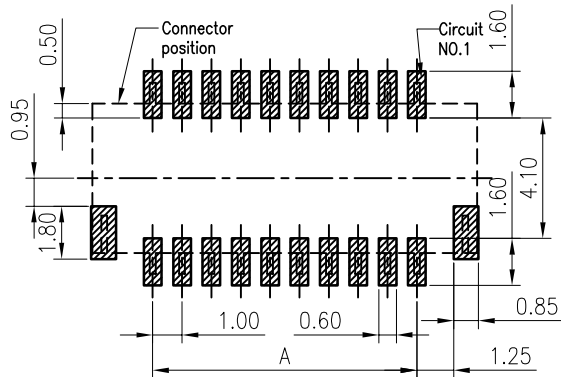
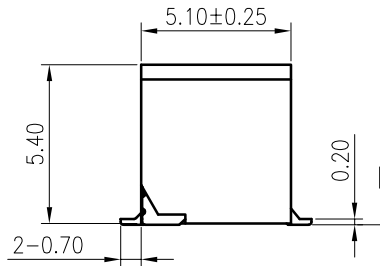
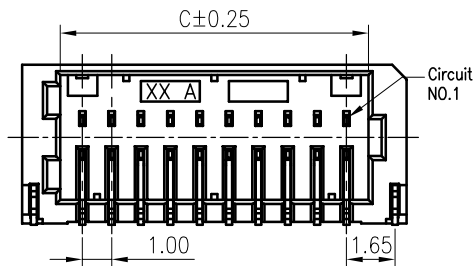
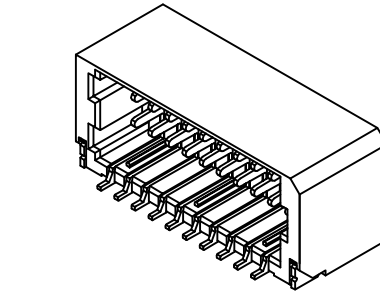
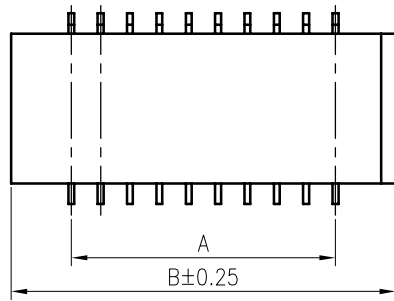


RoHS  
COMPLIANT



Recommended P.C.B. Layout  
General tolerance: ±0.05mm

**SPECIFICATIONS**

1. Current rating: 1A AC, DC
2. Voltage rating: 50V AC, DC
3. Temperature range: -40°C ~ +105°C
4. Insulation resistance: 100MΩ Min.
5. Withstanding voltage: 500V AC/ minute.
6. Contact resistance: 20mΩ Max.

**Material:**

Insulator: LCP UL 94V-0

Contact: Phosphor bronze T=0.2

Fitting nail: Phosphor bronze T=0.2

Plating: Gold flash over nickel

Mate with KR1000 series dual row housing

**Ordering Code:**

C1000RS \*\*\* \*\* G0101RC

No. of Circuits  
204:2x4, 225:2x25

Insulator Material  
13:LCP Natural

Circuits	Dimensions		
	A	B	C
2x4	3.00	7.10	4.40
2x5	4.00	8.10	5.40
2x6	5.00	9.10	6.40
2x7	6.00	10.10	7.40
2x8	7.00	11.10	8.40
2x10	9.00	13.10	10.40
2x12	11.00	15.10	12.40
2x15	14.00	18.10	15.40
2x17	16.00	20.10	17.40
2x20	19.00	23.10	20.40
2x25	24.00	28.10	25.40



MARK	REVISION DESCRIPTION	SIGNATURE	DATE
1			
2			
3			

**TOLERANCE**

X. X ±0.30

X. XX ±0.20

X. XXX ±0.10

Angle ±2°

**TITLE:**  
SHR 1.0 SMF 90°  
Dual Row Wafer  
无柱

UNIT: mm SCALE: N/A

**DRAWN:** Arvin 2020.12.12

**CHECKED:**

**APPROVED:**

SHEET: 1/1 PROJECTION

**KONNRA** 东莞市康瑞电子有限公司  
DongGuan Konnra Electronics Co., Ltd.

PART NO. : C1000RS\*\*\*13G0101RC

REV. : A1 DRAWING NO. : 1000WRS201-C-S