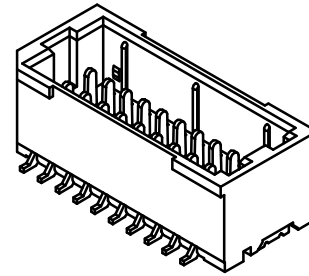
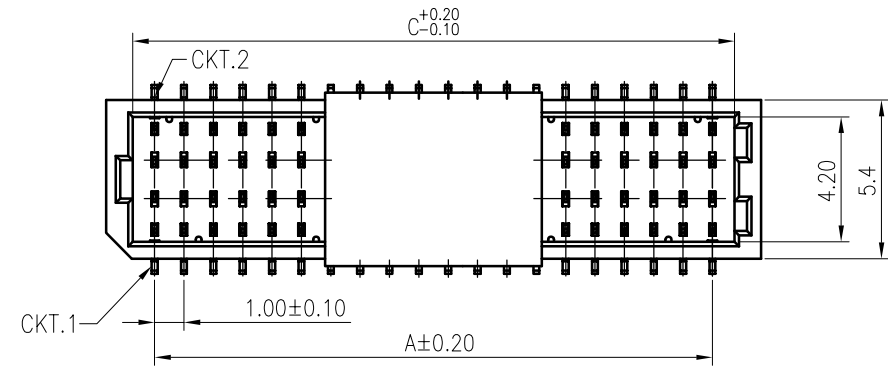


**RoHS**  
COMPLIANT



**SPECIFICATIONS**

1. Current rating: 1A AC, DC
2. Voltage rating: 50V AC,DC
3. Temperature range: -40°C ~ +105°C
4. Insulation resistance: 100MΩ Min.
5. Withstanding voltage: 500V AC/ minute.
6. Contact resistance: 20m Ω Max.

**Material:**

Insulator: PA6T UL 94V-0  
Contact: Phosphor bronze  
Fitting nail: Brass

Plating: Gold plated over nickel

Mate with KR1000 series dual row housing

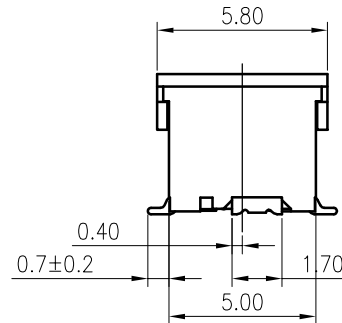
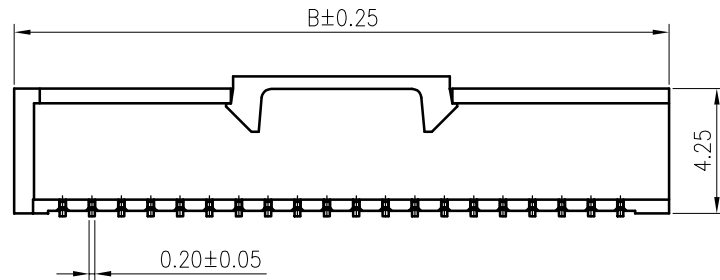
**Ordering Code:**

C1000VS \*\*\* \*\* G0101RC

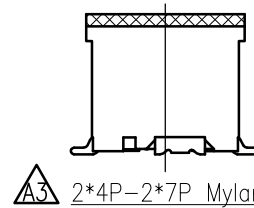


No. of Circuits  
204:2x4,230:2x30

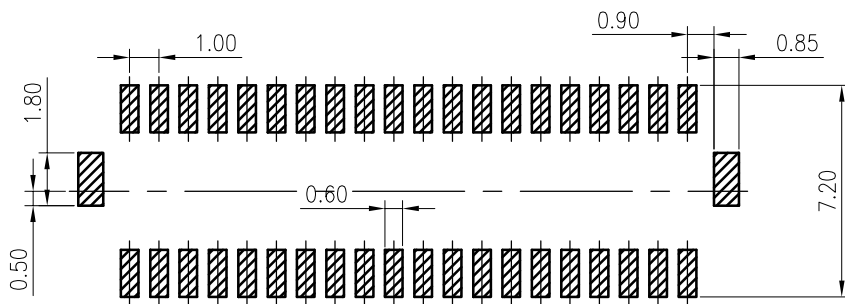
Insulator Material  
09:PA6T Natural



2\*8P~2\*30P Cover



2\*4P~2\*7P Mylar



Recommended P.C.Board Layout  
All Tolerance:±0.05

| Circuits | Dimensions |       |       |
|----------|------------|-------|-------|
|          | A          | B     | C     |
| 2x4      | 3.00       | 6.30  | 4.40  |
| 2x5      | 4.00       | 7.30  | 5.40  |
| 2x6      | 5.00       | 8.30  | 6.40  |
| 2x7      | 6.00       | 9.30  | 7.40  |
| 2x8      | 7.00       | 10.30 | 8.40  |
| 2x9      | 8.00       | 11.30 | 9.40  |
| 2x10     | 9.00       | 12.30 | 10.40 |
| 2x12     | 11.00      | 14.30 | 12.40 |
| 2x14     | 13.00      | 16.30 | 14.40 |
| 2x15     | 14.00      | 17.30 | 15.40 |
| 2x17     | 16.00      | 19.30 | 17.40 |
| 2x20     | 19.00      | 22.30 | 20.40 |
| 2x25     | 24.00      | 27.30 | 25.40 |
| 2x30     | 29.00      | 32.30 | 30.40 |

|   |      |   |           |            |              |                            |                         |   |            |            |           |
|---|------|---|-----------|------------|--------------|----------------------------|-------------------------|---|------------|------------|-----------|
| F |      |   |           |            | TOLERANCE    | TITLE:                     | DRAWN: Arvin 2020.03.05 | KONNRA 东莞市康瑞电子有限公司<br>DongGuan Konnra Electronics Co., Ltd. |            |            |           |
|   |      | Add 2x4-2x9/2x12/2x14/2x17/2x30P        | Arvin     | 2020.12.24 | X. X ±0.30   | SHR 1.0 SM <sup>180°</sup> | CHECKED:                |   |            |            |           |
|   |      | Change the part number and frame format | Arvin     | 2020.03.05 | X. XX ±0.20  | Dual Row Wafer             | APPROVED:               | PART NO. : C1000VS***09G0101RC                              |            |            |           |
|   | MARK | REVISION DESCRIPTION                    | SIGNATURE | DATE       | X. XXX ±0.10 | 无柱                         | UNIT: mm                | SCALE: N/A  | SHEET: 1/1 | PROJECTION | REV. : A3 |
|   | 1    | 2                                       | 3         | 4          | Angle ±2°    | 5                          | 6                       | 7   | 8          | 9          |           |