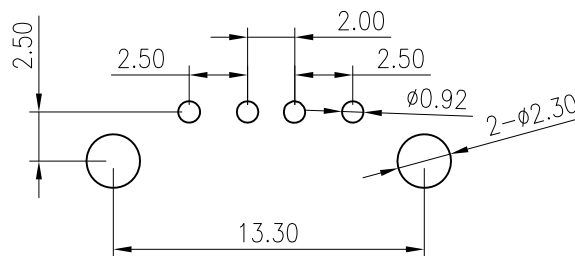
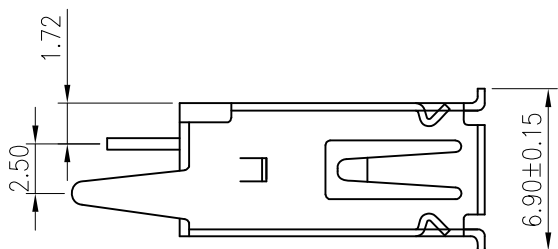
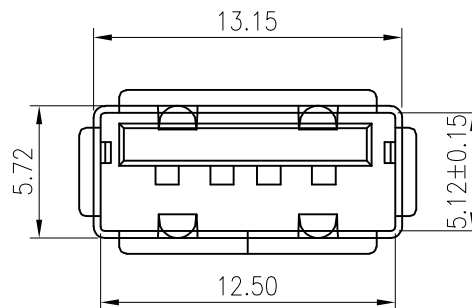
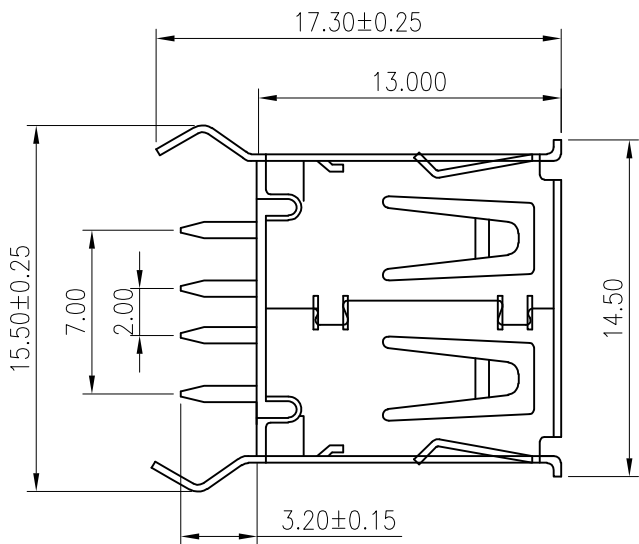


RoHS
COMPLIANT



Recommended P.C.B. Layout
Total tolerance:±0.05mm

Note:

1.Material:

- 1.1 Housing: LCP UL94-V0
- 1.2 Contact: Brass/Selective gold plated
- 1.3 Shell: SPCC/Nickel

2.Specification:

- 2.1 Current rating:1.5A
- 2.2 Dielectric withstanding voltage: 500 V(ac) for 1 min.
- 2.3 Insulation resistance: 500 MΩ Min.
- 2.4 Contact resistance: 50Ω Max.
- 2.5 Total mating force: 3.5 Kgf Max.
- 2.6 Total unmating force: 1.02 Kgf Min
- 2.7 Temperature range: -55°C~85°C



MARK

REVISION DESCRIPTION

SIGNATURE

DATE

TOLERANCE

- X.X ±0.30
- X.XX ±0.20
- X.XXX ±0.10
- Angle ±2°

TITLE:

USB AF DIP 180度
H=13.0 卷边 弯角

UNIT:mm

SCALE:N/A

DRAWN:

ZS 2022.03.01

CHECKED:

APPROVED:

SHEET:1/1

PROJECTION

KONNRA 东莞市康瑞电子有限公司
DongGuan Konnra Electronics Co.,Ltd.

PART NO.:U02S0006B

REV.:A1

DRAWING NO.:U02S0006B-S