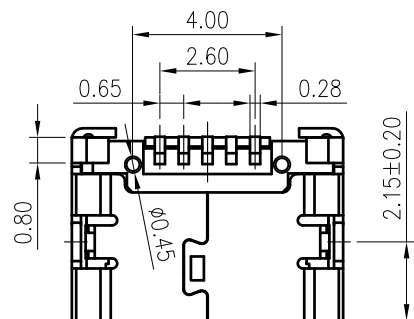
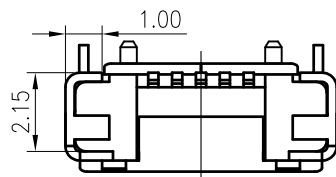
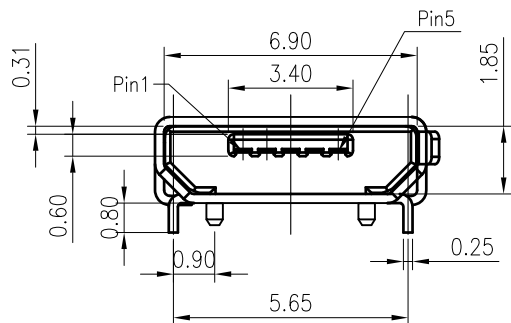
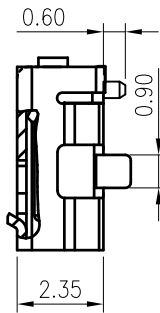
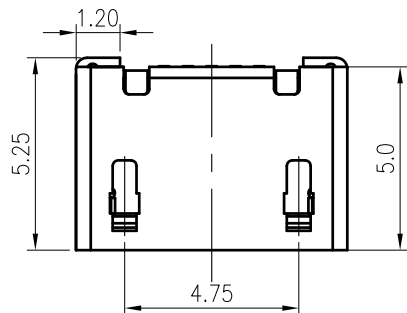


RoHS
COMPLIANT



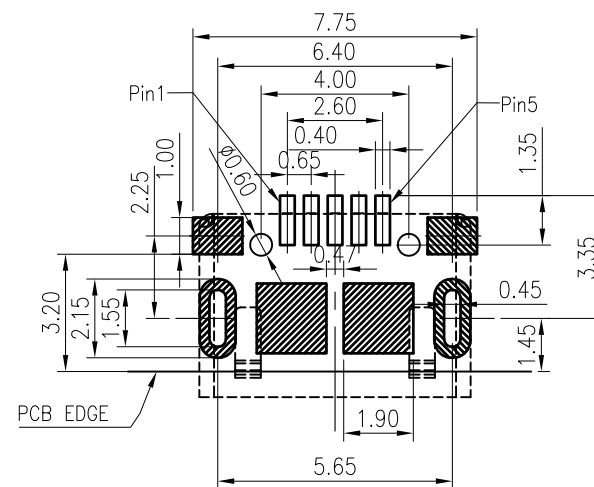
Note:

1.Material:

- 1.1 Housing: High temperature thermoplastic with g.f,UL94v-0 LCP
- 1.2 Contact: copper alloy,t=0.20mm
- 1.3 Shell: C2680/SUS304,t=0.25mm

2.Specification:

- 2.1 Current rating:1,5PIN 1.8A Max/2,3,4PIN 1A Max.
- 2.2 Dielectric withstanding voltage: 100 V(ac) for 1 min.
- 2.3 Contact resistance: 30 mΩ Max.
- 2.4 Insulation resistance: 100 MΩ Min.
- 2.5 Total mating force: 3.57 Kgf Max.
- 2.6 Total unmating force: 1.0 Kgf Min.
- 2.7 Temperature range: -30°C~80°C



RECOMMENDED PCB LAYOUT

PCB图仅供参考



MARK

REVISION DESCRIPTION

SIGNATURE

DATE

TOLERANCE

X.X ±0.30

X.XX ±0.20

X.XXX ±0.10

Angle ±2°

TITLE:

MICRO 5P 母座 内插
有柱 L=5.0 固定脚
距5.65 平口

UNIT:mm

SCALE:N/A

DRAWN: *ZS* 2022.01.11

CHECKED:

APPROVED:

SHEET:1/1

PROJECTION

KONNRA 东莞市康瑞电子有限公司

DongGuan Konnra Electronics Co.,Ltd.

PART NO.:U01S0006R

REV.:A1

DRAWING NO.:U01S0006R-S

1

2

3

4

5

6

7

8

9