

RoHS
COMPLIANT

◆ SPECIFICATIONS

- Current rating: 3A AC, DC
- Voltage rating: 250V AC, DC
- Temperature range: -40°C ~ +125°C
- Insulation resistance: 1000MΩ Min.
- Contact resistance: 20mΩ Max.

Material:

Insulator: LCP Natural UL 94V-0

Contact: Copper alloy

Solder Nail: Brass

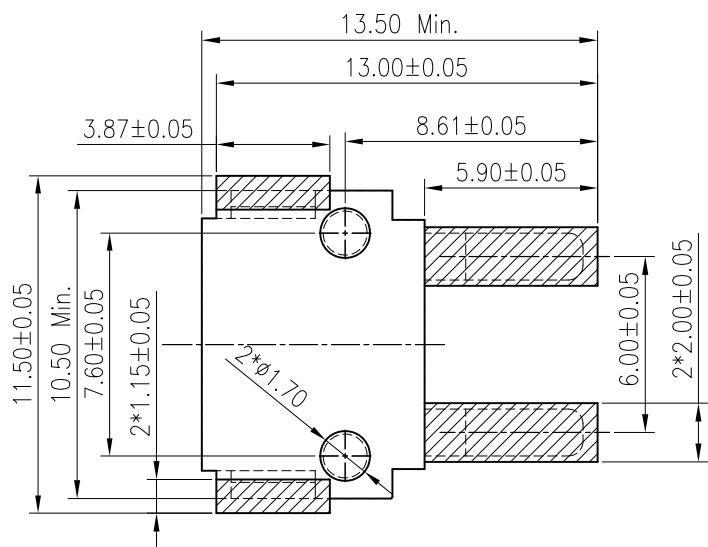
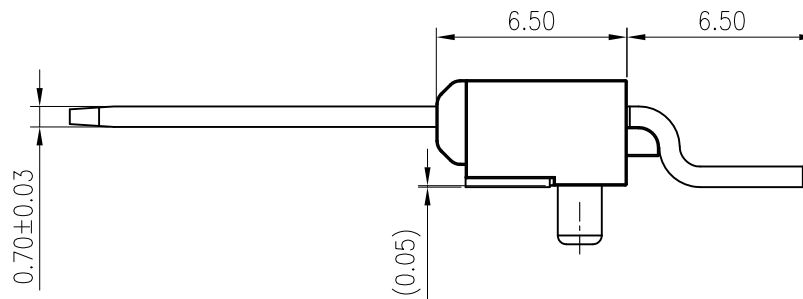
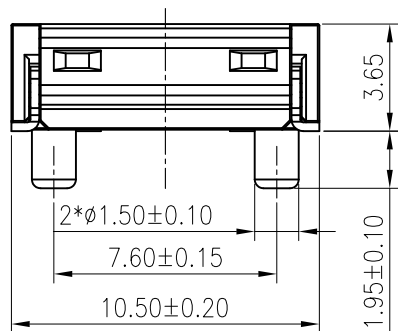
Plating: Tin plated over Nickel

Circuits: 2P

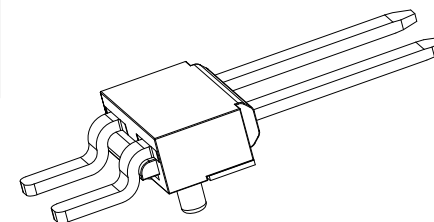
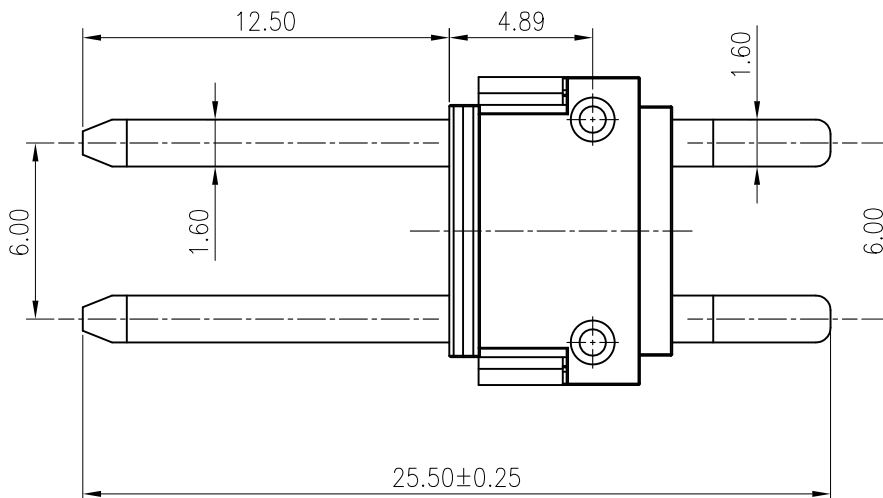
Mates: N/A

Ordering Code: C6000RS 1** ** T0101RA

102:2P
13:LCP Natural



Recommended P.C.B. Layout
Total tolerance:±0.05mm



TOLERANCE
X.X ±0.30
X.XX ±0.20
X.XXX ±0.10
Angle ±2°

TITLE:
SUEA 2P Wafer

DRAWN: Liu2023.09.21

CHECKED:

APPROVED:

UNIT:mm SCALE:N/A

SHEET:1/1

PROJECTION

KONNRA 东莞市康瑞电子有限公司
DongGuan Konnra Electronics Co.,Ltd.

PART NO.:C6000RS10213T0101RA

VER.:A01 DRAWING NO.:6000RS01-A-S

LTR

REVISION DESCRIPTION

SIGNATURE

DATE

NEW

LIU

2023.09.21

1

2

3

4

5

6

7

8

9