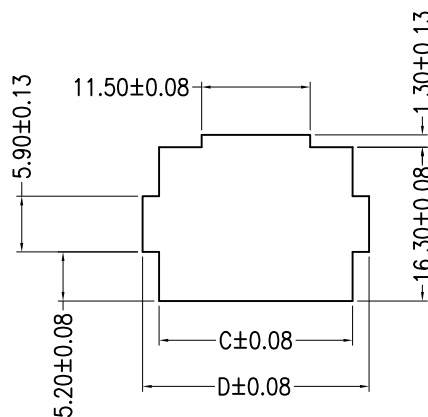
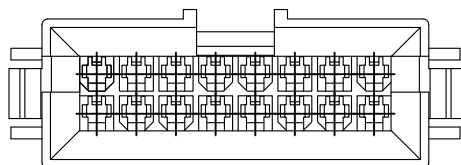
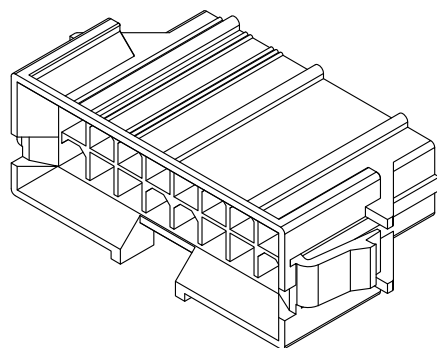
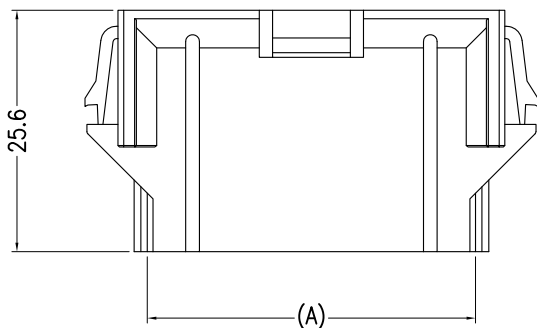
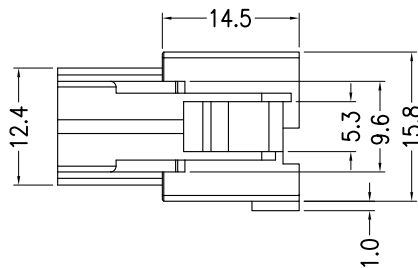
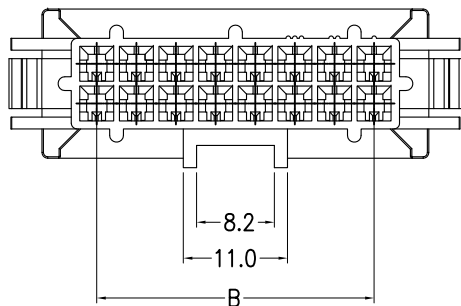


RoHS
COMPLIANT



**RECOMMENDED CUT-OUT FOR
1.60MAX.0.97MIN THICK PANEL(6~24CKT'S)**

◆SPECIFICATIONS

- Current rating: 9A(2P AWG#16) AC, DC
- Voltage rating: 600V AC,DC
- Temperature range: -40°C ~ +125°C
- Insulation resistance: 1000MΩ Min.
- Withstanding voltage: 1500V AC/ Minute.
- Contact resistance: 10mΩ Max.

Material:PA66 UL 94V-2 orV-0

Suitable:KR4200 series female terminal mate with KR 4200 series double row male housing

Ordering code:N/A

H4200F xxx xx 03 A

No.of Circuits
201:2X1, 2X8:208

Insulator Material
01:PA66 White V0
02:PA66 Black V0
04:PA66 Black V2
16:PA66 Transparent V2

CIRCUIT SIZE	DIM"A"	DIM"B"	DIM"C"	DIM"D"
6	13.8	8.4	20.50	24.00
8	18.0	12.6	24.70	28.20
10	22.2	16.8	28.90	32.40
12	26.4	21.0	33.10	36.60
14	30.6	25.2	37.30	40.80
16	34.8	29.4	41.50	45.00
18	39.0	33.6	45.70	49.20
20	43.2	37.8	49.90	53.40
22	47.4	42.0	54.10	57.60
24	51.6	46.2	58.30	61.80



MARK

NEW DWG

FY

2024.07.11

TOLERANCE

X.X ±0.30

X.XX ±0.20

X.XXX ±0.10

Angle ±2°

TITLE:
MX4.2 Double Row
Female Housing
With wings

UNIT:mm SCALE:1:1

DRAWN: Qiqing.Li 2024.07.11

CHECKED:

APPROVED:

SHEET:1/1

PROJECTION

KONNRA 东莞市康瑞电子有限公司
DongGuan Konnra Electronics Co.,Ltd.

PART NO.:H4200F*** **03A

REV.:X01 DRAWING NO.:4200H101-A-S

1

2

3

4

5

6

7

8

9