



**RoHS**  
COMPLIANT

**SPECIFICATIONS**

1. Current rating: 3A AC, DC
2. Voltage rating: 250V AC,DC
3. Temperature range: -40°C ~ +105°C
4. Insulation resistance: 1000MΩ Min.
5. Withstanding voltage: 800V AC/ minute.
6. Contact resistance: 20mΩ Max.

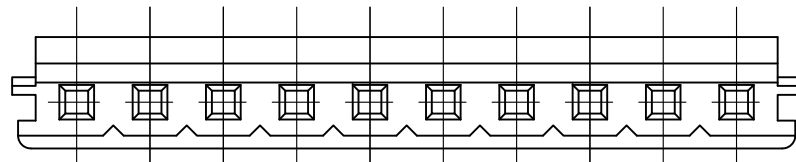
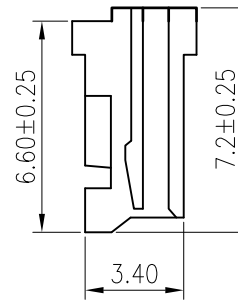
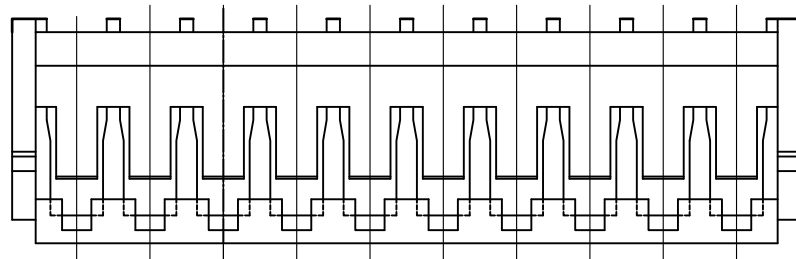
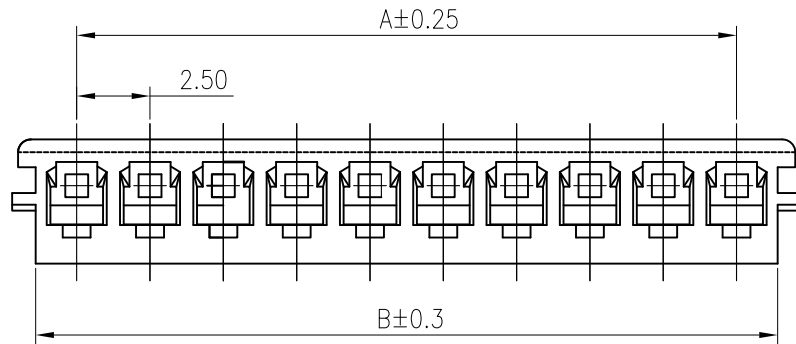
Material: Nylon66 UL94 V-0  
 Suitable KR2504 series terminal  
 Mate with KR2504 series wafer  
 Ordering Code:



 H25040 \*\*\* 01 01A

No.of Circuits   
 102:2,116:16

Insulator Material  
 01:PA66 White V0

Circuits	Dimension	
	A	B
2	2.50	5.40
3	5.00	7.90
4	7.50	10.40
5	10.00	12.90
6	12.50	15.40
7	15.00	17.90
8	17.50	20.40
9	20.00	22.90
10	22.50	25.40
11	25.00	27.90
12	27.50	30.40
13	30.00	32.90
14	32.50	35.40
15	35.00	37.90
16	37.50	40.40



				TOLERANCE	TITLE: EH2.5 Housing		DRAWN: Shen 2022.01.13		KONNRA 东莞市康瑞电子有限公司	
				X.X ±0.30			CHECKED:		DongGuan Konnra Electronics Co.,Ltd.	
				X.XX ±0.20			APPROVED:		PART NO.: H25040***0101A	
				X.XXX ±0.10			SHEET: 1/1		REV.: A3	
				Angle ±2°	UNIT:mm	SCALE:N/A	PROJECTION 			
	Uniformly arrange the drawings	Shen	2022.01.13							
MARK	REVISION DESCRIPTION	SIGNATURE	DATE							

**RoHS**  
COMPLIANT

**SPECIFICATIONS**

1. Current rating: 3A AC, DC
2. Voltage rating: 250V AC,DC
3. Temperature range: -40°C ~ +105°C
4. Insulation resistance: 1000MΩ Min.
5. Withstanding voltage: 800V AC/ minute.
6. Contact resistance: 20mΩ Max.

**Applicable Wires:**

AWG#22~#24

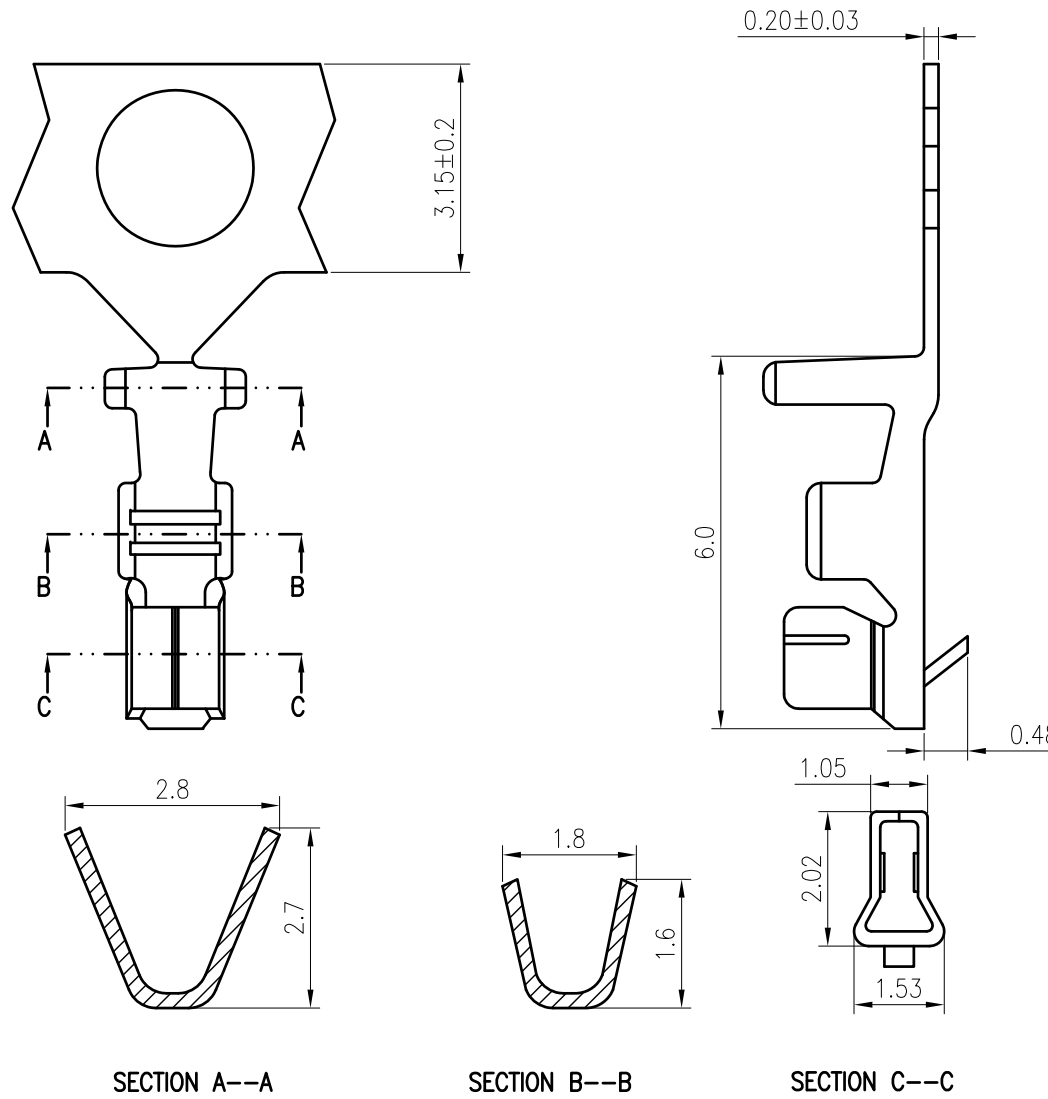
Insulation O.D. : 1.90mm MAX

Material: Phosphor Bronze

Finish: Tin plated over nickel

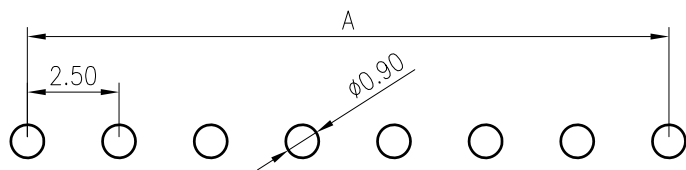
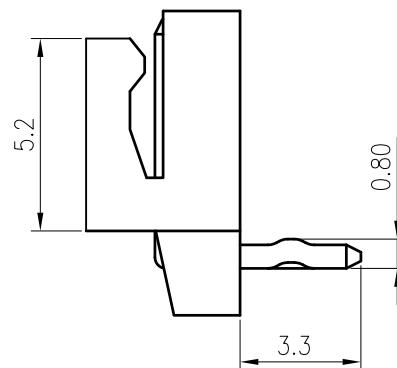
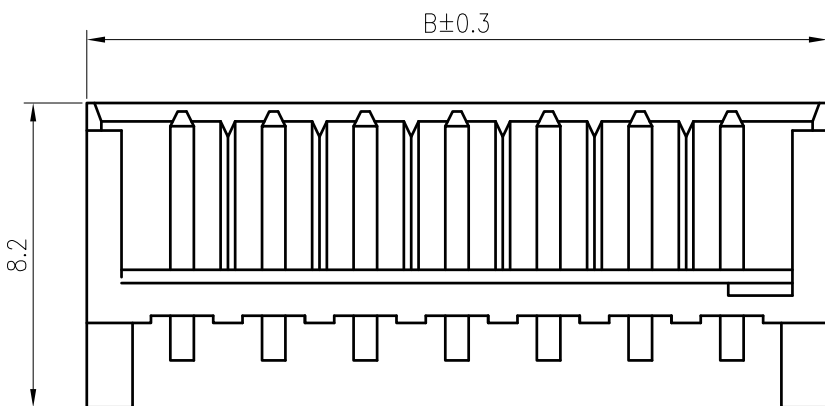
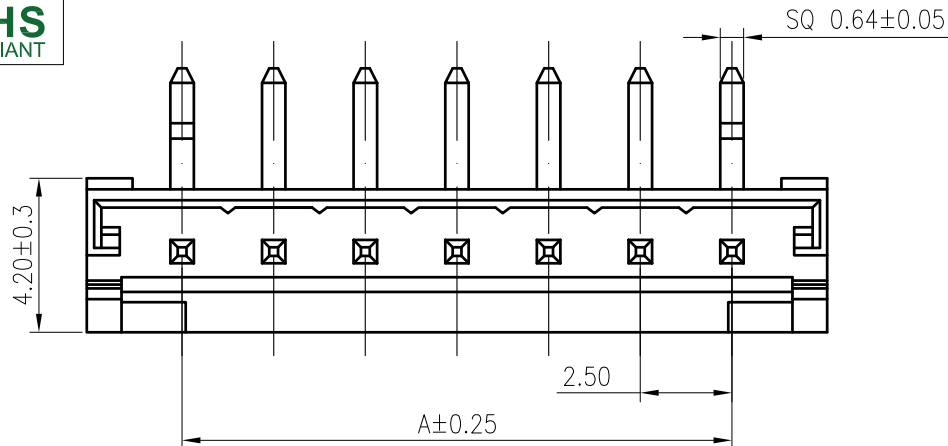
Suitable KR2504 series housing

Q'ty/reel: 10,000 PCS



MARK	REVISION DESCRIPTION	SIGNATURE	DATE	TOLERANCE	TITLE:	DRAWN:	KONNRA 东莞市康瑞电子有限公司 DongGuan Konnra Electronics Co.,Ltd.					
A3	Modify Size	ZSZ	2021.11.04	X.X ±0.30	EH2.5 Terminal	ZSZ 2021.11.04	PART NO.: T25040PT0101B					
A2	Change the part number and frame format	LJT	2020.05.05	X.XX ±0.20		CHECKED:	REV.: A3					
				X.XXX ±0.10		APPROVED:	DRAWING NO.: 2504T101-B-S					
				Angle ±2°	UNIT:mm	SCALE:N/A	SHEET:1/1	PROJECTION				

**RoHS**  
COMPLIANT



**Recommend P.C.B. LAYOUT**

**SPECIFICATIONS**

1. Current rating: 3A AC, DC
2. Voltage rating: 250V AC,DC
3. Temperature range: -40°C ~ +105°C
4. Insulation resistance: 1000MΩ Min.
5. Withstanding voltage: 800V AC/ minute.
6. Contact resistance: 20mΩ Max.

**Material:**

Insulator: Nylon 66 UL 94V-0  
Contact: Brass  
Plating: Tin plated over Nickel  
Mate with KR2504 series Housing  
Ordering Code:

C2504RD \*\*\* 01 T01 01 PA

No. of Circuits  
102:2,116:16

Circuits	Dimension	
	A	B
2	2.50	7.50
3	5.00	10.00
4	7.50	12.50
5	10.00	15.00
6	12.50	17.50
7	15.00	20.00
8	17.50	22.50
9	20.00	25.00
10	22.50	27.50
11	25.00	30.00
12	27.50	32.50
13	30.00	35.00
14	32.50	37.50
15	35.00	40.00
16	37.50	42.50

A04

A04

A04

F		Modify Size	ZSZ	2024.09.02	TOLERANCE X.X ±0.30 X.XX ±0.20 X.XXX ±0.10 Angle ±2°	TITLE: EH2.5 DIP 90° Wafer	DRAWN: ZSZ 2024.09.02		KONNRA 东莞市康瑞电子有限公司		
		Uniformly arrange the drawings	Shen	2022.01.13			CHECKED:		DongGuan Konnra Electronics Co.,Ltd.		
	MARK	REVISION DESCRIPTION	SIGNATURE	DATE			UNIT:mm	SCALE:N/A	SHEET:1/1	PROJECTION	REV.:A04
	1	2	3	4		5	6	7	8	9	
DRAWING NO.:2504WRD101-A-S											


**RoHS**  
COMPLIANT

**SPECIFICATIONS**

1. Current rating: 3A AC, DC
2. Voltage rating: 250V AC,DC
3. Temperature range: -40°C ~ +105°C
4. Insulation resistance: 1000MΩ Min.
5. Withstanding voltage: 800V AC/ minute.
6. Contact resistance: 20mΩ Max.

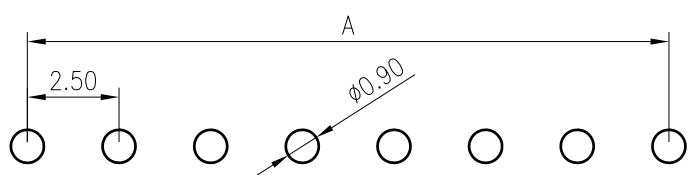
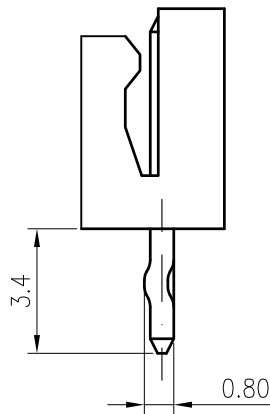
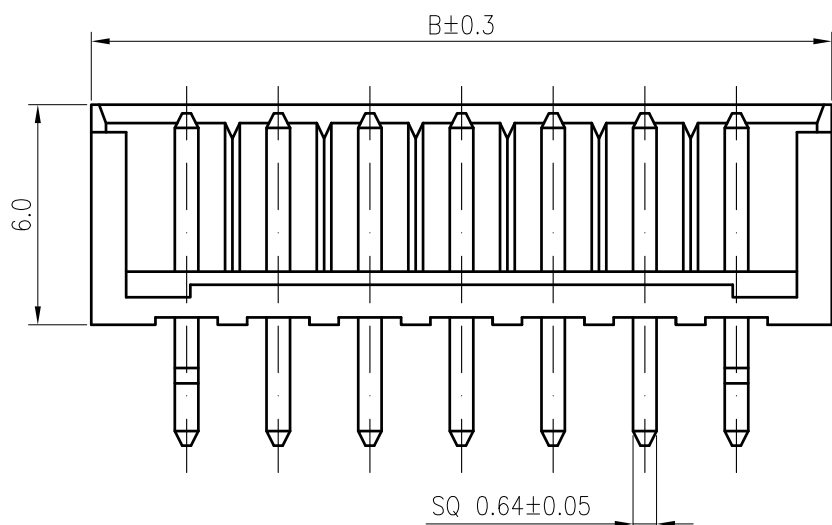
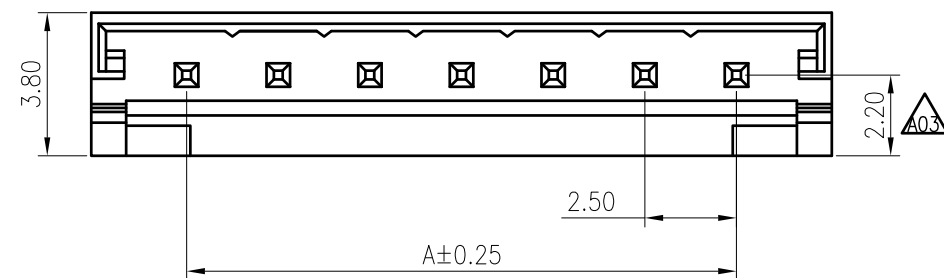
**Material:**

Insulator: Nylon 66 UL 94V-0  
 Contact: Brass  
 Plating: Tin plated over Nickel  
 Mate with KR2504 series Housing  
 Ordering Code:




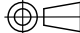
 C2504VD \*\*\* 01 T01 01 PA

No.of Circuits  
 102:2,116:16

Circuits	Dimension	
	A	B
2	2.50	7.50
3	5.00	10.00
4	7.50	12.50
5	10.00	15.00
6	12.50	17.50
7	15.00	20.00
8	17.50	22.50
9	20.00	25.00
10	22.50	27.50
11	25.00	30.00
12	27.50	32.50
13	30.00	35.00
14	32.50	37.50
15	35.00	40.00
16	37.50	42.50



**Recommend P.C.B. LAYOUT**

F		Modify Size	ZSZ	2024.09.02	TOLERANCE X.X ±0.30 X.XX ±0.20 X.XXX ±0.10 Angle ±2°	TITLE: EH2.5 DIP 180° Wafer	DRAWN: ZSZ 2024.09.02		KONNRA 东莞市康瑞电子有限公司 DongGuan Konnra Electronics Co.,Ltd.
		Add Dimensions	ZSZ	2023.9.27			CHECKED:		
		Change the part number and frame format	LJT	2020.05.05			APPROVED:		
MARK	REVISION DESCRIPTION	SIGNATURE	DATE	UNIT:mm	SCALE:N/A	SHEET:1/1	PROJECTION 	REV.:A04	PART NO.:C2504VD***01T0101PA
1	2	3	4	5	6	7	8	9	DRAWING NO.:2504WVD101-A-S