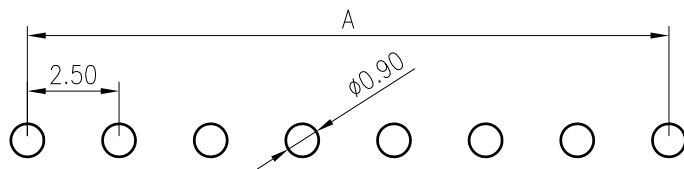
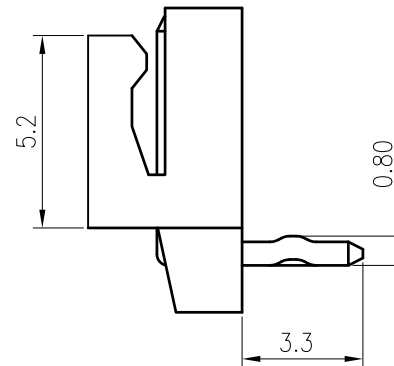
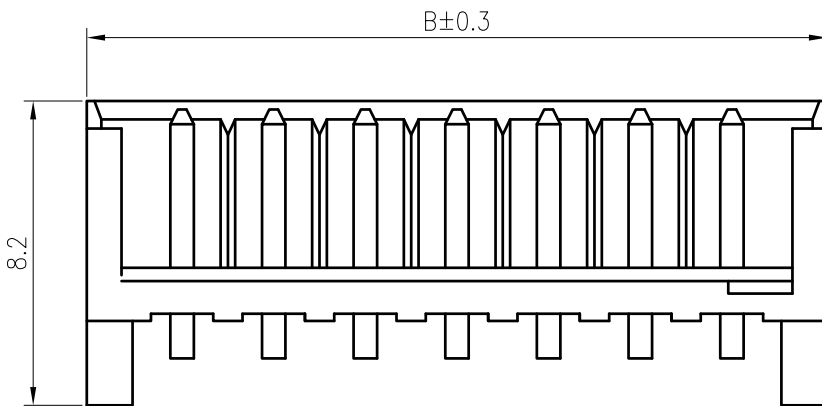
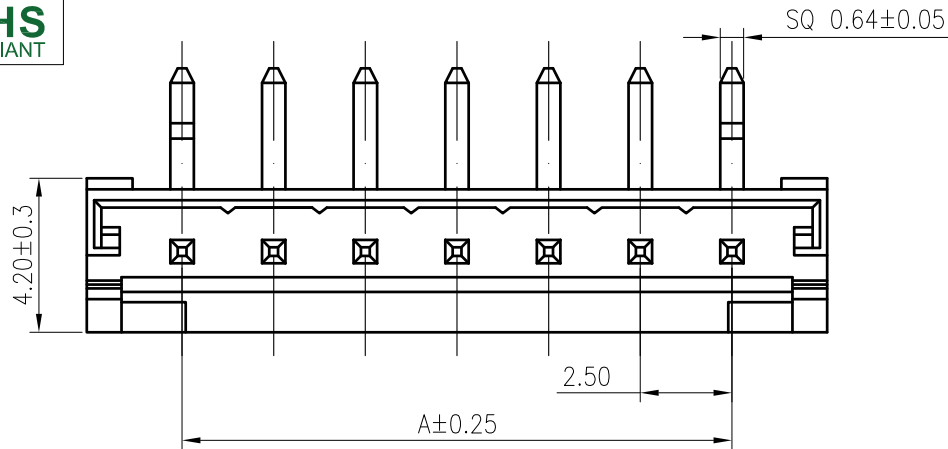


RoHS
COMPLIANT



Recommend P.C.B. LAYOUT

SPECIFICATIONS

1. Current rating: 3A AC, DC
2. Voltage rating: 250V AC,DC
3. Temperature range: -40°C ~ +105°C
4. Insulation resistance: 1000MΩ Min.
5. Withstanding voltage: 800V AC/ minute.
6. Contact resistance: 20mΩ Max.

Material:

Insulator: Nylon 66 UL 94V-0
Contact: Brass
Plating: Tin plated over Nickel
Mate with KR2504 series Housing
Ordering Code:

C2504RD *** 01 T01 01 PA

No. of Circuits
102:2,116:16

Circuits	Dimension	
	A	B
2	2.50	7.50
3	5.00	10.00
4	7.50	12.50
5	10.00	15.00
6	12.50	17.50
7	15.00	20.00
8	17.50	22.50
9	20.00	25.00
10	22.50	27.50
11	25.00	30.00
12	27.50	32.50
13	30.00	35.00
14	32.50	37.50
15	35.00	40.00
16	37.50	42.50

F		Modify Size	ZSZ	2024.09.02	TOLERANCE X.X ±0.30 X.XX ±0.20 X.XXX ±0.10 Angle ±2°	TITLE: EH2.5 DIP 90° Wafer	DRAWN: ZSZ 2024.09.02	KONNRA 东莞市康瑞电子有限公司 DongGuan Konnra Electronics Co.,Ltd.		
		Uniformly arrange the drawings	Shen	2022.01.13			CHECKED:			
	MARK	REVISION DESCRIPTION	SIGNATURE	DATE			APPROVED:		PART NO.: C2504RD***01T0101PA	
	1	2	3	4	UNIT:mm	SCALE:N/A	SHEET:1/1	PROJECTION	REV.:A04	DRAWING NO.:2504WRD101-A-S