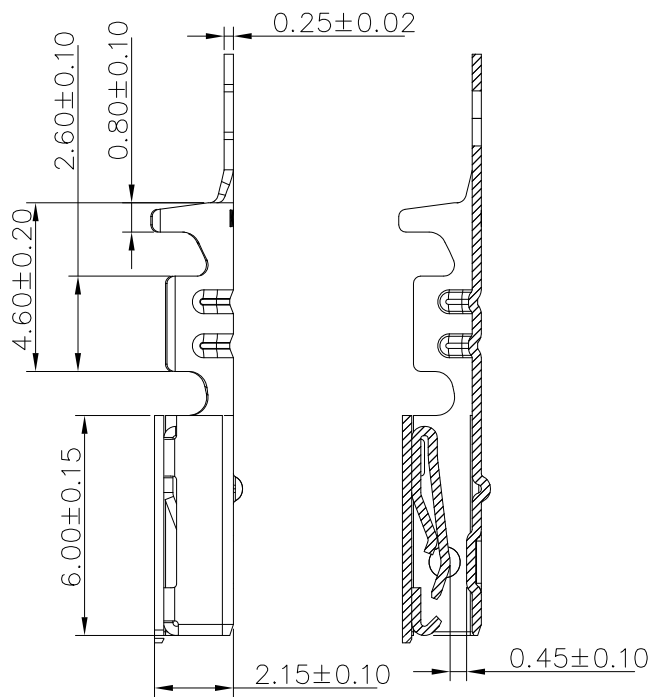
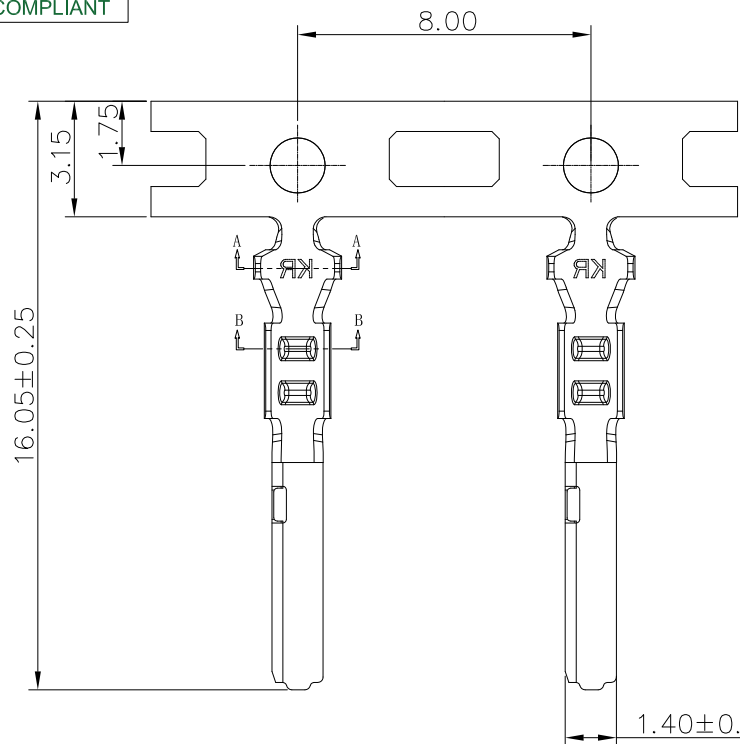


RoHS
COMPLIANT

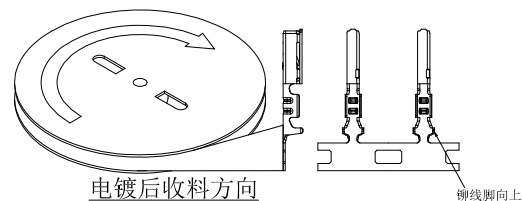
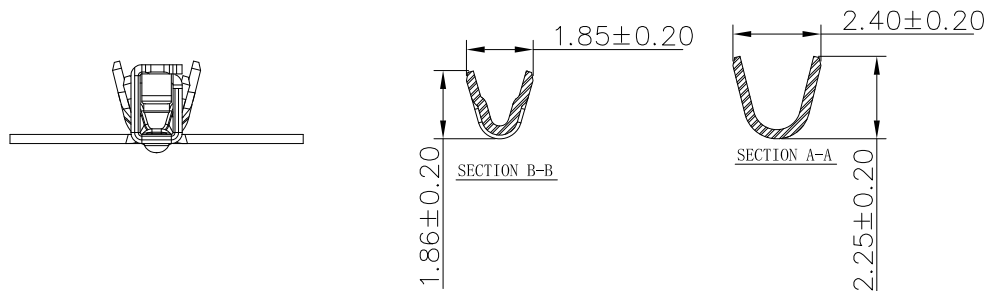


SPECIFICATIONS

1. Current rating: 3A AC, DC(AWG#22)
2. Voltage rating:100V AC/DC
3. Temperature range: -55°C ~ +85°C
4. Insulation resistance: 1000MΩ/ min.
5. Withstanding voltage: 1000V AC/ minute.
6. Contact resistance: 10mΩ/ max.

Material: Phosphor Bronze/Tin plated over nickel
 Applicable wires: AWG #22~#24
 Insulation O.D 1.4~1.7mm Max.
 Suitable KR2027 series housing
 Qty/reel:8,000PCS

T2027F C T01 01A
 T01: 镀亮锡
 P: 磷铜
 B: 黄铜
 C: 高导铜
 S: 不锈钢
 O: 混合材质



TOLERANCE

X.X ±0.30
 X.XX ±0.20
 X.XXX ±0.10
 Angle ±2°

TITLE:

2.0mm PH 防水连接器
 --Terminal

DRAWN: 张振坤 2024.05.09

CHECKED:

APPROVED:

KONNRA 东莞市康瑞电子有限公司
 DongGuan Konnra Electronics Co.,Ltd.

PART NO.: T2027FC***01A



设计初版

张振坤

2024.05.09

MARK

REVISION DESCRIPTION

SIGNATURE

DATE

UNIT:mm SCALE:1:1

SHEET:1/1

PROJECTION

REV.:A01

DRAWING NO.:2027TF01-A-S

1

2

3

4

5

6

7

8

9