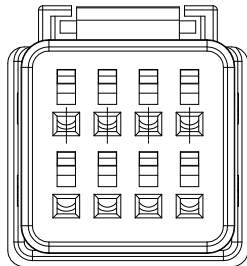
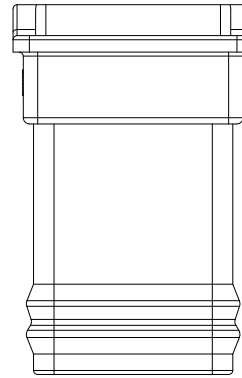
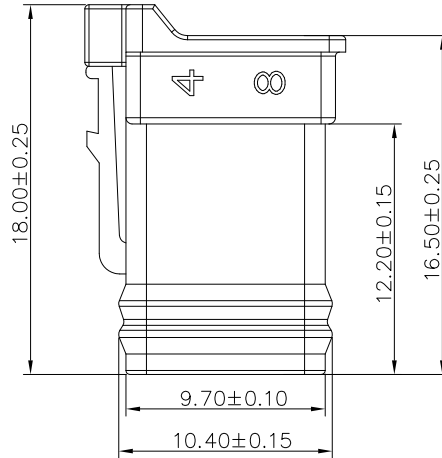
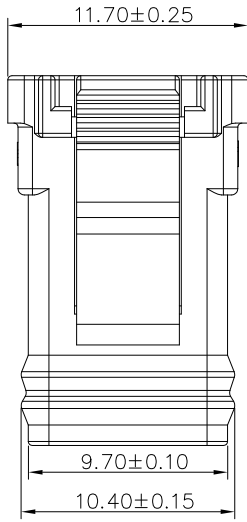
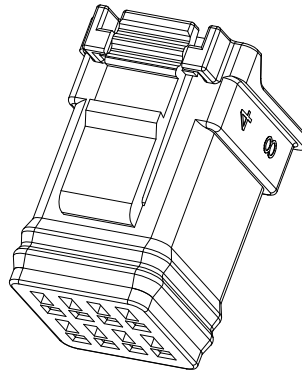
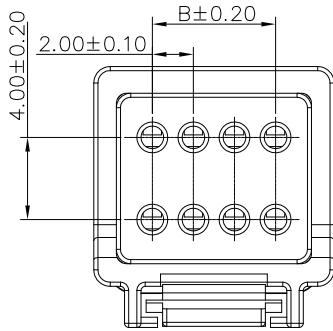


RoHS
COMPLIANT



SPECIFICATIONS

1. Current rating: 3A AC, DC(AWG#22)
2. Voltage rating:100V AC/DC
3. Temperature range: -55°C ~ +85°C
4. Insulation resistance: 1000MΩ/ min.
5. Withstanding voltage: 1000V AC/ minute.
6. Contact resistance: 10mΩ/ max.

Material: PBT UL 94V-0
Suitable: KR2027 series Terminal
Mates With KR2027 Series Wafer

Ordering Code:

H2027M 204 05 02 A
204=2X4P
05:PBT 黑色

Circuits	Dimensions	
	A	B
2x2P	6.40	/
2x3P	8.40	4.00
2x4P	10.40	6.00
2x5P	12.40	8.00
2x6P	14.40	10.00

TOLERANCE

X.X ±0.30
X.XX ±0.20
X.XXX ±0.10
Angle ±2°

TITLE:

2.0mm PH 防水连接器
—Housing(带防水圈)

DRAWN: 张振坤 2024.05.09

CHECKED:

APPROVED:

KONNRA 东莞市康瑞电子有限公司
DongGuan Konnra Electronics Co.,Ltd.

PART NO.: H2027M****02A



设计初版

张振坤

2024.05.09

MARK

REVISION DESCRIPTION

SIGNATURE

DATE

UNIT:mm

SCALE:1:1

SHEET:1/1

PROJECTION

REV.:A01

DRAWING NO.:2027HM202-A-S

1

2

3

4

5

6

7

8

9