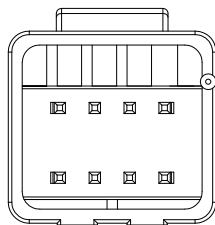
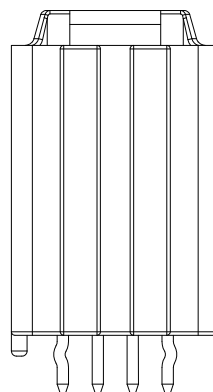
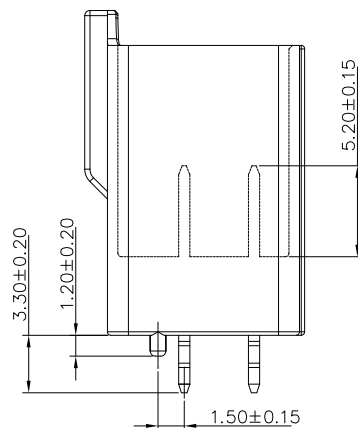
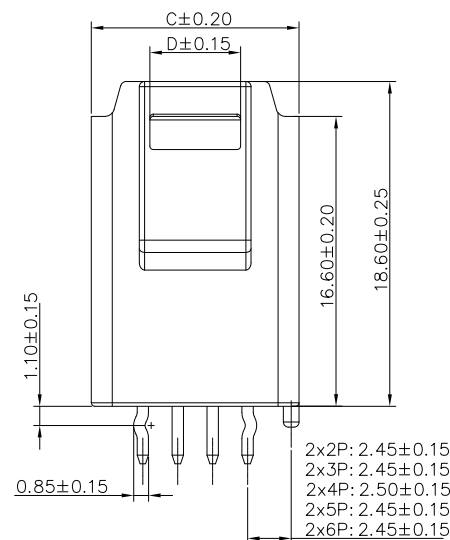
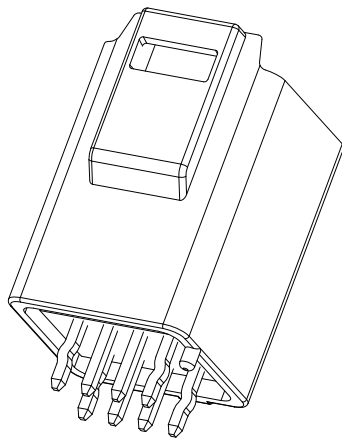
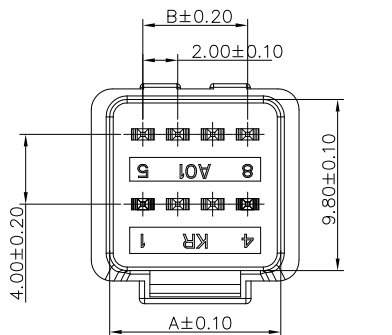


RoHS
COMPLIANT



SPECIFICATIONS

1. Current rating: 3A AC, DC(AWG#22)
2. Voltage rating: 100V AC/DC
3. Temperature range: -55°C ~ +85°C
4. Insulation resistance: 1000MΩ/ min.
5. Withstanding voltage: 1000V AC/ minute.
6. Contact resistance: 10mΩ/ max.

Material:

Insulator: PBT UL 94V-0

Contact: Copper alloy

Plating: Matte Tin plated over Nickel
Mates With KR2027 Series Housing

Ordering Code:

C2027VD 204 05 T01 01 P A
 204=2X4P
 T01: 镀亮锡
 05: PBT 黑色
 P: 袋装

Circuits	Dimensions			
	A	B	C	D
2X2P	5.80	/	7.80	3.20
2X3P	7.80	4.00	9.80	3.20
2X4P	9.80	6.00	11.90	5.20
2X5P	11.80	8.00	13.80	7.20
2X6P	13.80	10.00	15.80	9.20

TOLERANCE
 X.X ±0.30
 X.XX ±0.20
 X.XXX ±0.10
 Angle ±2°

TITLE:
 2.0mm PH 防水连接器
 --Wafer

DRAWN: 张振坤 2024.05.09

CHECKED:

APPROVED:

KONNRA 东莞市康瑞电子有限公司
 DongGuan Konnra Electronics Co.,Ltd.

PART NO.: C2027VD1*****01PA



设计初版

张振坤

2024.05.09

MARK

REVISION DESCRIPTION

SIGNATURE

DATE

UNIT:mm SCALE:1:1

SHEET:1/1

PROJECTION

REV.:A01

DRAWING NO.:2027WVD201-A-S

1

2

3

4

5

6

7

8

9