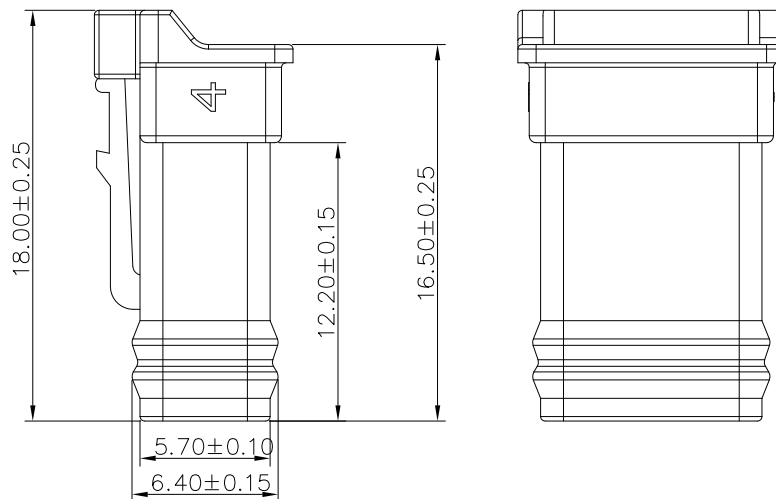
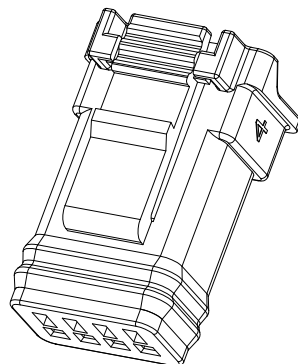
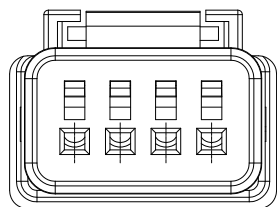
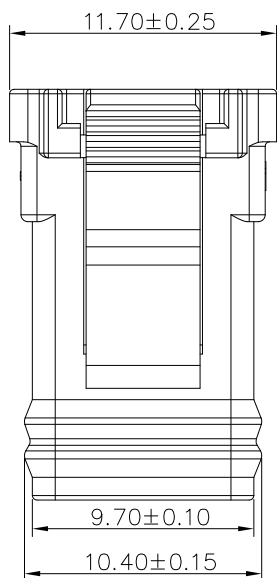
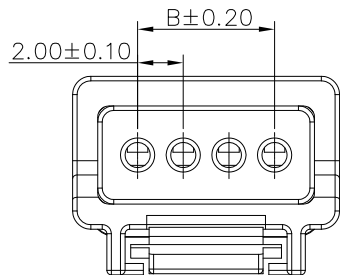


RoHS
COMPLIANT



SPECIFICATIONS

1. Current rating: 3A AC, DC(AWG#22)
2. Voltage rating:100V AC/DC
3. Temperature range: -55°C ~ +85°C
4. Insulation resistance: 1000MΩ/ min.
5. Withstanding voltage: 1000V AC/ minute.
6. Contact resistance: 10mΩ/ max.

Material: PBT UL 94V-0
Suitable: KR2027 series Terminal
Mates With KR2027 Series Wafer

Ordering Code:

H2027M 104 05 02 A
104=4P
05:PBT 黑色

Circuits	Dimensions	
	A	B
2P	6.40	/
3P	8.40	4.00
4P	10.40	6.00
5P	12.40	8.00
6P	14.40	10.00

TOLERANCE

X.X ±0.30
X.XX ±0.20
X.XXX ±0.10
Angle ±2°

TITLE:

2.0mm PH 防水连接器
—Housing(带防水圈)

DRAWN: 张振坤 2024.05.09

CHECKED:

APPROVED:

KONNRA 东莞市康瑞电子有限公司
DongGuan Konnra Electronics Co.,Ltd.

PART NO.: H2027M****02A



设计初版

张振坤

2024.05.09

MARK

REVISION DESCRIPTION

SIGNATURE

DATE

UNIT:mm SCALE:1:1

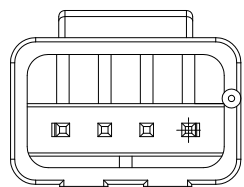
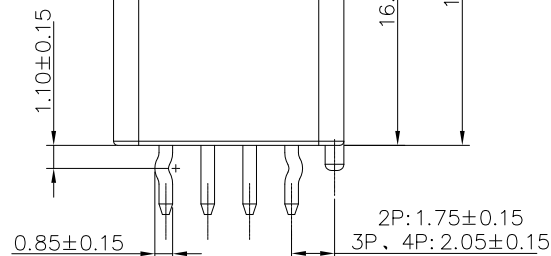
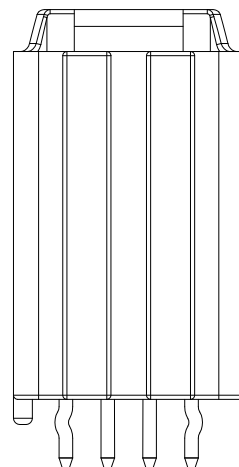
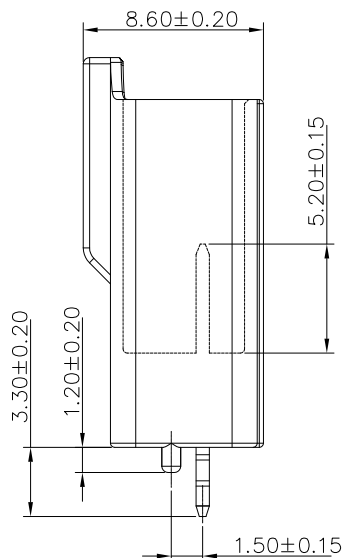
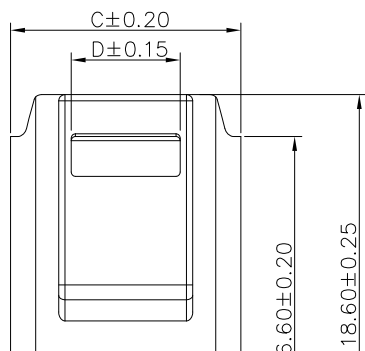
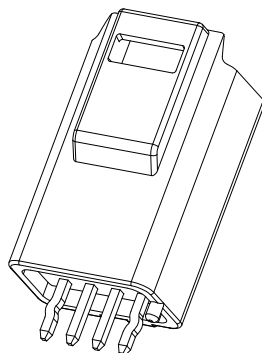
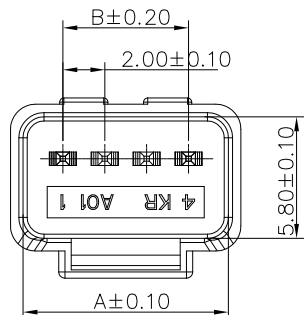
SHEET:1/1

PROJECTION

REV.:A01

DRAWING NO.:2027HM102-A-S

RoHS
COMPLIANT



SPECIFICATIONS

1. Current rating: 3A AC, DC(AWG#22)
2. Voltage rating: 100V AC/DC
3. Temperature range: -55°C ~ +85°C
4. Insulation resistance: 1000MΩ/ min.
5. Withstanding voltage: 1000V AC/ minute.
6. Contact resistance: 10mΩ/ max.

Material:

Insulator: PBT UL 94V-0

Contact: Copper alloy

Plating: Matte Tin plated over Nickel

Mates With KR2027 Series Housing

Ordering Code:

C2027VD 104 05 T01 01 P A
 104=4P
 T01: 镀亮锡
 05: PBT 黑色
 P: 袋装

Circuits	Dimensions			
	A	B	C	D
2P	5.80	/	7.00	3.20
3P	7.80	4.00	9.00	3.20
4P	9.80	6.00	11.00	5.20
5P	11.80	8.00	13.00	7.20
6P	13.80	10.00	15.00	9.20

TOLERANCE

X.X ±0.30
 X.XX ±0.20
 X.XXX ±0.10
 Angle ±2°

TITLE:

2.0mm PH 防水连接器
 --Wafer

DRAWN: 张振坤 2024.05.09

CHECKED:

APPROVED:

KONNRA 东莞市康瑞电子有限公司
 DongGuan Konnra Electronics Co.,Ltd.

PART NO.: C2027VD1*****01PA



设计初版

张振坤

2024.05.09

MARK

REVISION DESCRIPTION

SIGNATURE

DATE

UNIT:mm

SCALE:1:1

SHEET:1/1

PROJECTION

REV.:A01

DRAWING NO.:2027WVD101-A-S

1

2

3

4

5

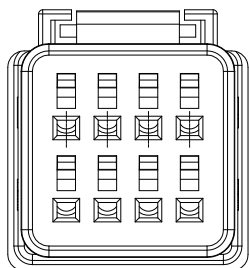
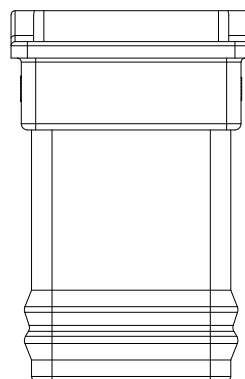
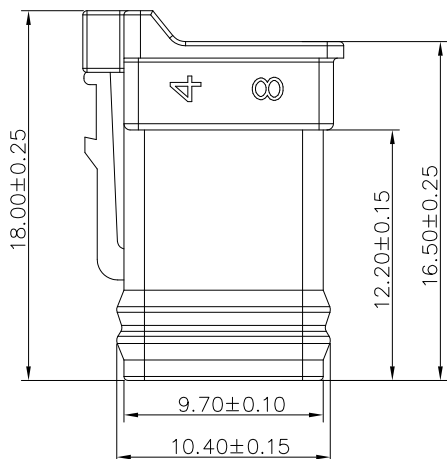
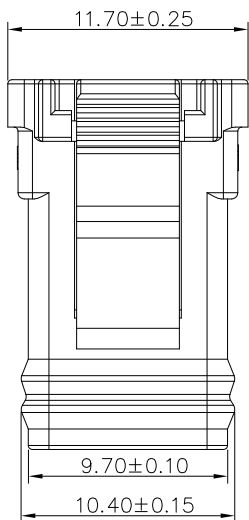
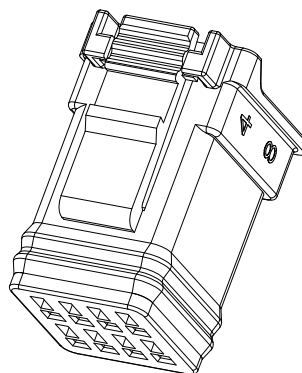
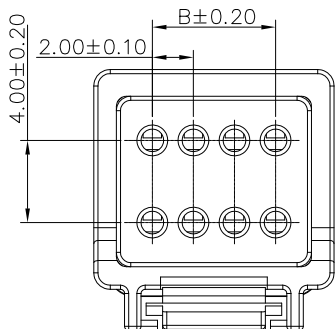
6

7

8

9

RoHS
COMPLIANT



SPECIFICATIONS

1. Current rating: 3A AC, DC(AWG#22)
2. Voltage rating:100V AC/DC
3. Temperature range: -55°C ~ +85°C
4. Insulation resistance: 1000MΩ/ min.
5. Withstanding voltage: 1000V AC/ minute.
6. Contact resistance: 10mΩ/ max.

Material: PBT UL 94V-0
Suitable: KR2027 series Terminal
Mates With KR2027 Series Wafer

Ordering Code:

H2027M 204 05 02 A
204=2X4P
05:PBT 黑色

Circuits	Dimensions	
	A	B
2x2P	6.40	/
2x3P	8.40	4.00
2x4P	10.40	6.00
2x5P	12.40	8.00
2x6P	14.40	10.00

TOLERANCE
X.X ±0.30
X.XX ±0.20
X.XXX ±0.10
Angle ±2°

TITLE:
2.0mm PH 防水连接器
—Housing(带防水圈)

DRAWN: 张振坤 2024.05.09

CHECKED:

APPROVED:

KONNRA 东莞市康瑞电子有限公司
DongGuan Konnra Electronics Co.,Ltd.

PART NO.: H2027M****02A



设计初版

张振坤

2024.05.09

MARK

REVISION DESCRIPTION

SIGNATURE

DATE

UNIT:mm SCALE:1:1

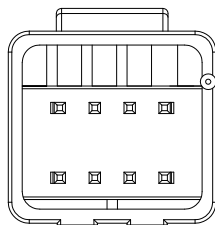
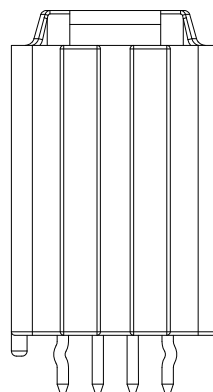
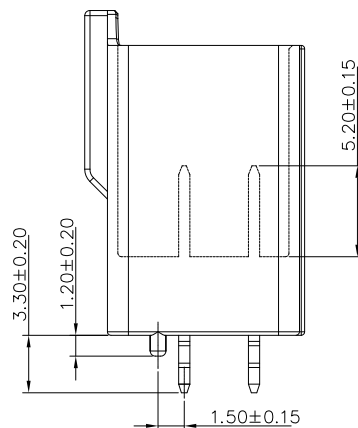
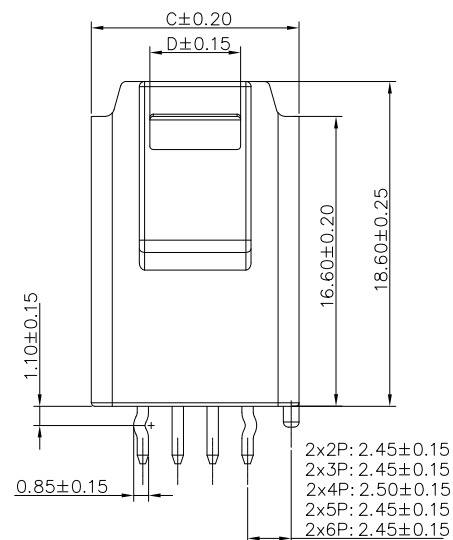
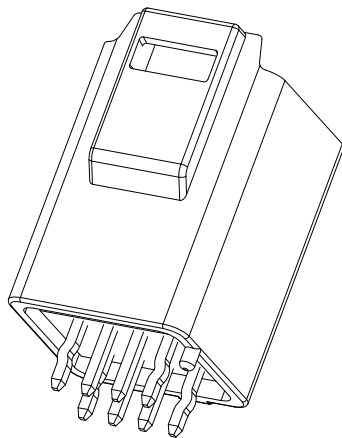
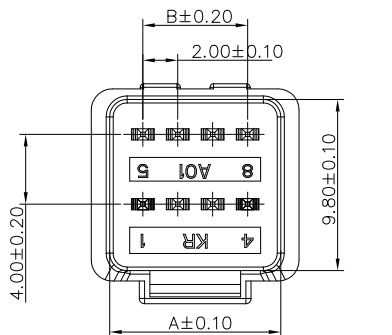
SHEET:1/1

PROJECTION

REV.:A01

DRAWING NO.:2027HM202-A-S

RoHS
COMPLIANT



SPECIFICATIONS

1. Current rating: 3A AC, DC(AWG#22)
2. Voltage rating: 100V AC/DC
3. Temperature range: -55°C ~ +85°C
4. Insulation resistance: 1000MΩ/ min.
5. Withstanding voltage: 1000V AC/ minute.
6. Contact resistance: 10mΩ/ max.

Material:

Insulator: PBT UL 94V-0

Contact: Copper alloy

Plating: Matte Tin plated over Nickel
Mates With KR2027 Series Housing

Ordering Code:

C2027VD 204 05 T01 01 P A
 204=2X4P
 T01: 镀亮锡
 05: PBT 黑色
 P: 袋装

Circuits	Dimensions			
	A	B	C	D
2X2P	5.80	/	7.80	3.20
2X3P	7.80	4.00	9.80	3.20
2X4P	9.80	6.00	11.90	5.20
2X5P	11.80	8.00	13.80	7.20
2X6P	13.80	10.00	15.80	9.20

TOLERANCE
 X.X ±0.30
 X.XX ±0.20
 X.XXX ±0.10
 Angle ±2°

TITLE:
 2.0mm PH 防水连接器
 --Wafer

DRAWN: 张振坤 2024.05.09

CHECKED:

APPROVED:

KONNRA 东莞市康瑞电子有限公司
 DongGuan Konnra Electronics Co.,Ltd.

PART NO.: C2027VD1*****01PA



设计初版

张振坤

2024.05.09

MARK

REVISION DESCRIPTION

SIGNATURE

DATE

UNIT:mm

SCALE:1:1

SHEET:1/1

PROJECTION

REV.:A01

DRAWING NO.:2027WVD201-A-S

1

2

3

4

5

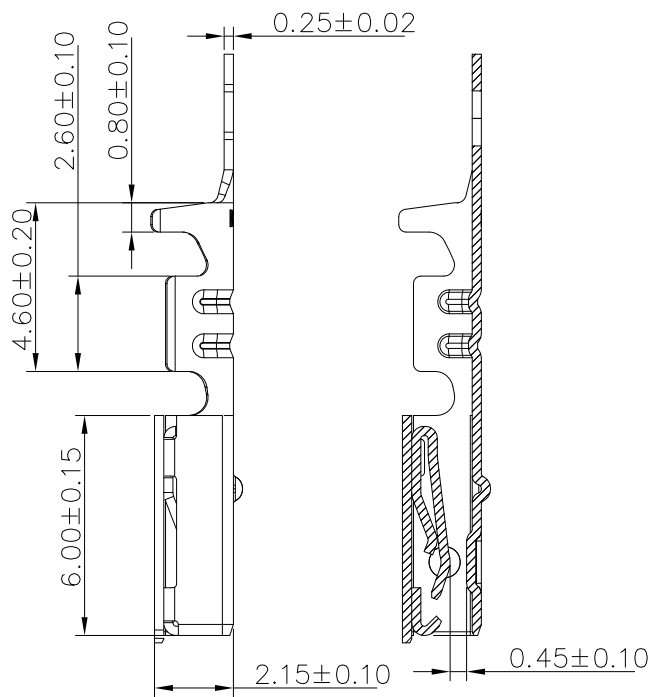
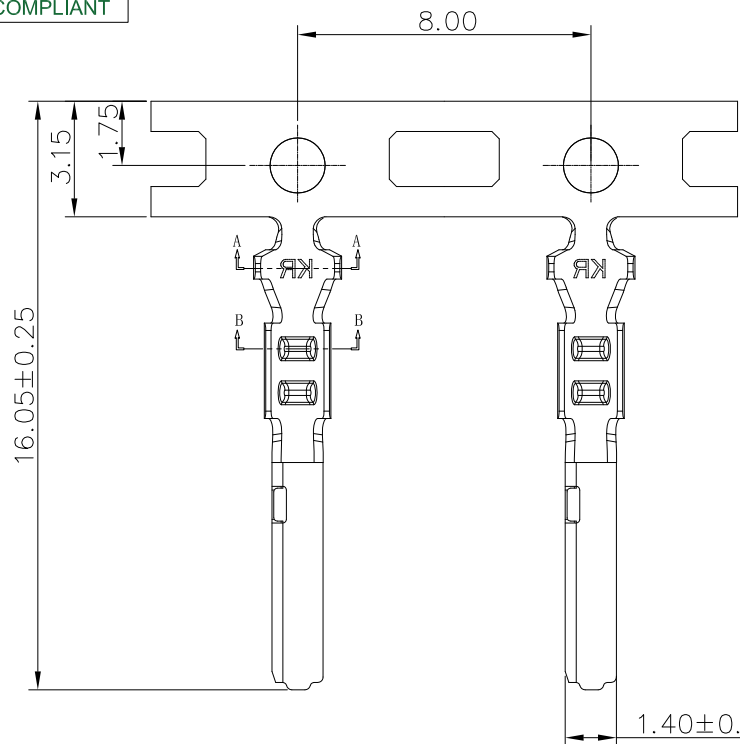
6

7

8

9

RoHS
COMPLIANT

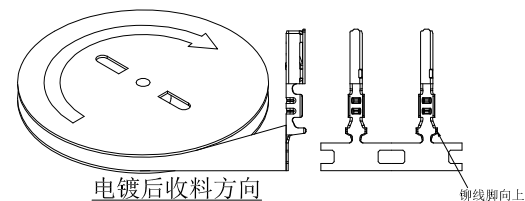
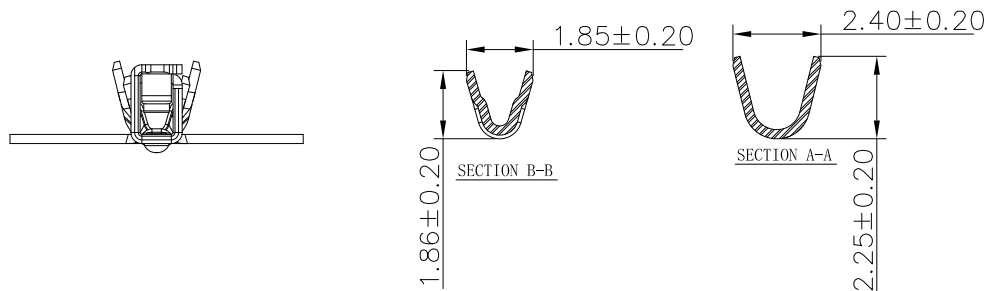


SPECIFICATIONS

1. Current rating: 3A AC, DC(AWG#22)
2. Voltage rating:100V AC/DC
3. Temperature range: -55°C ~ +85°C
4. Insulation resistance: 1000MΩ/ min.
5. Withstanding voltage: 1000V AC/ minute.
6. Contact resistance: 10mΩ/ max.

Material: Phosphor Bronze/Tin plated over nickel
 Applicable wires: AWG #22~#24
 Insulation O.D 1.4~1.7mm Max.
 Suitable KR2027 series housing
 Qty/reel:8,000PCS

T2027F C T01 01A
 T01: 镀亮锡
 P: 磷铜
 B: 黄铜
 C: 高导铜
 S: 不锈钢
 O: 混合材质



TOLERANCE

X.X ±0.30
 X.XX ±0.20
 X.XXX ±0.10
 Angle ±2°

TITLE:

2.0mm PH 防水连接器
 --Terminal

DRAWN: 张振坤 2024.05.09

CHECKED:

APPROVED:

KONNRA 东莞市康瑞电子有限公司
 DongGuan Konnra Electronics Co.,Ltd.

PART NO.: T2027FC***01A



设计初版

张振坤

2024.05.09

MARK

REVISION DESCRIPTION

SIGNATURE

DATE

UNIT:mm SCALE:1:1

SHEET:1/1

PROJECTION

REV.:A01

DRAWING NO.:2027TF01-A-S