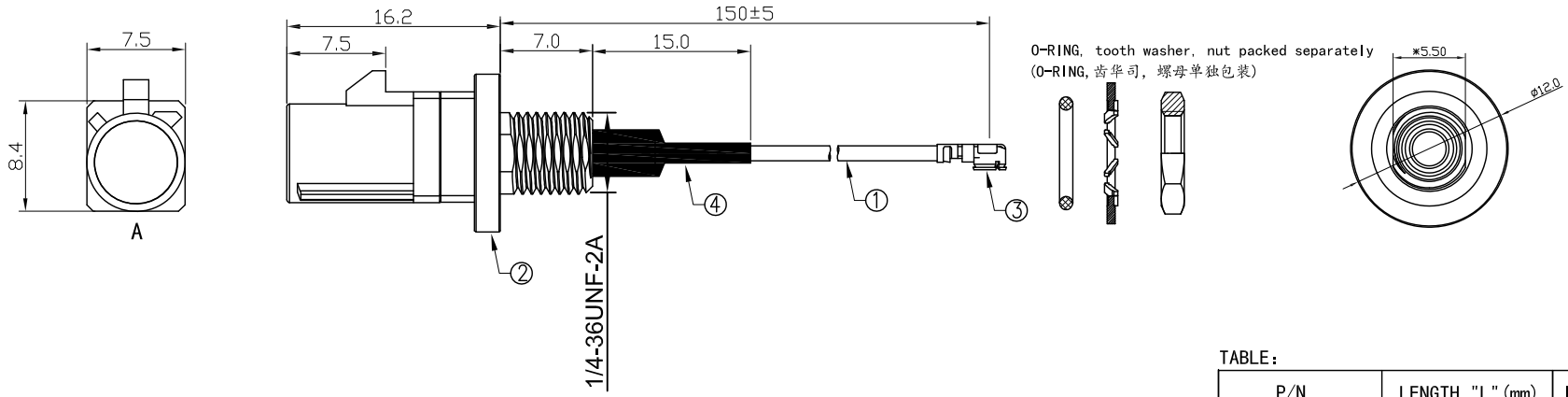
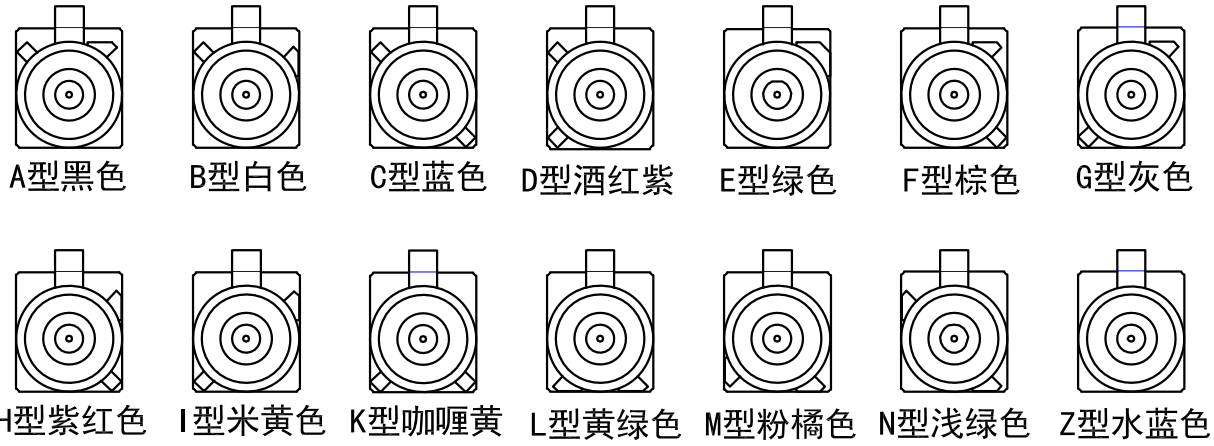


1 2 3 4 5 6 7 8 9  
Customer Part No.



④	Tube	15mm Black H.S.Tube	1	pcs
③	Terminal	CR137 Gold-plated copper(镀金铜)	1	pcs
②	Conn	FAKRA Male Conn, Male Pin(公头公针)	1	pcs
①	Wire	CB-137BS Coaxial Cable OD1.37mm black	1	pcs
NO.	Material	Description	Q'TY	Unit

TABLE:

P/N	LENGTH "L" (mm)	ITEM 2 KEY CODE
XRU00010003	150±5	D
XRU00010002	150±5	C
XRU00010001	150±5	A

Notice: (注意事项)  
1. 100% open-short & miss wire test (100%短路, 断路, 错位测试)

F					Tolerance XX ±0.3 X.XX ±0.1 X° ±1	TITLE: FAKRA TO CR137 L=150mm	DRAWN: 丁鹏 2024.07.09	KONNRA 东莞市康瑞电子有限公司 DongGuan Konnra Electronics Co.,Ltd.	
							CHECKED:		
							APPROVED:		
MARK	REVISION DESCRIPTION	SIGNATURE	DATE	UNIT:mm	SCALE:N/A	SHEET:1/1	PROJECTION	REV.:A1	DRAWING NO.:XRU00010001S
1	2	3	4	5	6	7	8	9	