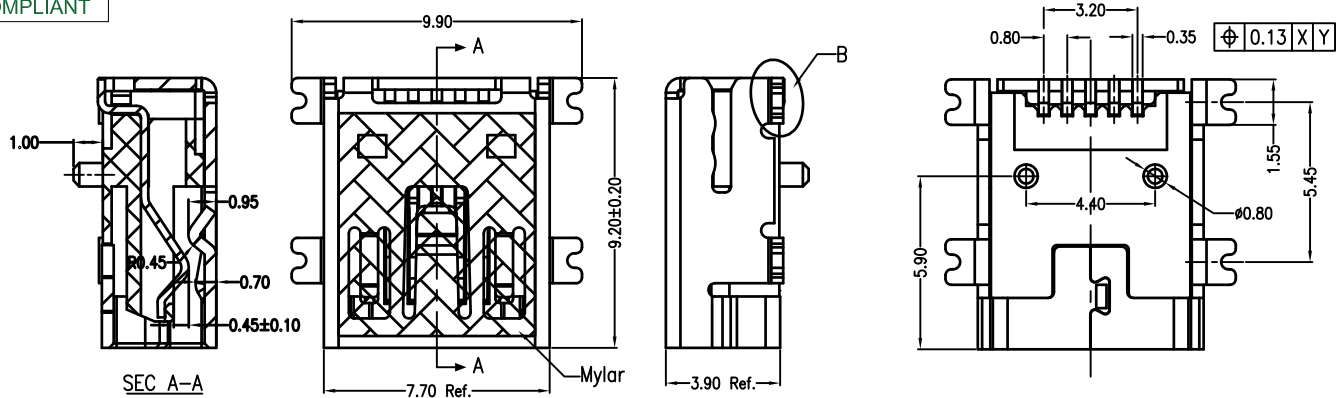
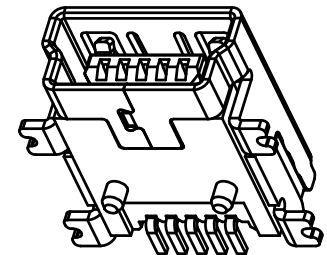
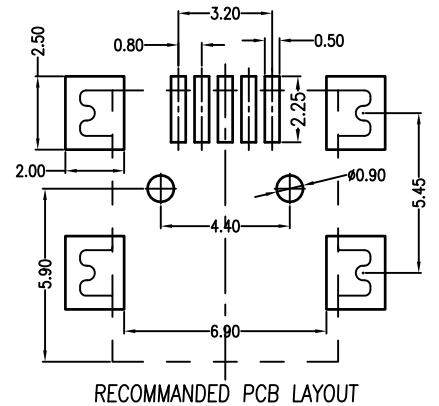
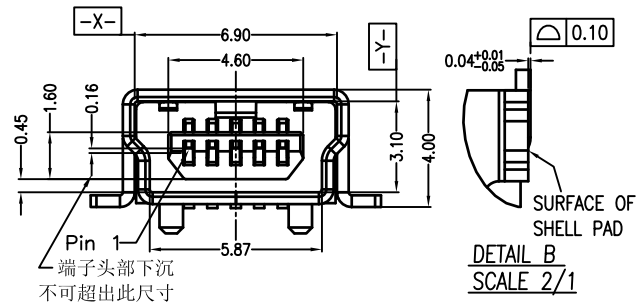


RoHS
COMPLIANT



Note:

1. Material:
 - 1.1 Housing: High temperature thermoplastic with g.f,UL94v-0
 - 1.2 Contact: copper alloy,t=0.25mm/selective gold plated
 - 1.3 Shell: copper alloy,t=0.40mm/Nickel
2. Specification:
 - 2.1 Current rating: 1 A Max.
 - 2.2 Dielectric withstanding voltage: 100 V(ac) for 1 min.
 - 2.3 Contact resistance: 50 mW Max.
 - 2.4 Insulation resistance: 100 MW Min.
 - 2.5 Total mating force: 3.57 Kgf Max.
 - 2.6 Total unmating force: 0.71 Kgf Min.
 - 2.7 Temperature range: -25°C~85°C



F	△4				TOLERANCE	TITLE:	DRAWN: Arvin 2021.04.26	KONNRA 东莞市康瑞电子有限公司			
	△3				X.X ±0.30	Mini USB 5S B Type	CHECKED:	DongGuan Konnra Electronics Co.,Ltd.			
	△2	更改料号及图框格式	Arvin	2021.04.26	X.XX ±0.20	SMT柱高1.0脚距5.45	APPROVED:	PART NO.:U05S0002R			
	MARK	REVISION DESCRIPTION	SIGNATURE	DATE	X.XXX ±0.10		UNIT:mm	SCALE:N/A	SHEET:1/1	PROJECTION	REV.:A2
	1	2	3	4		5	6	7	8	9	