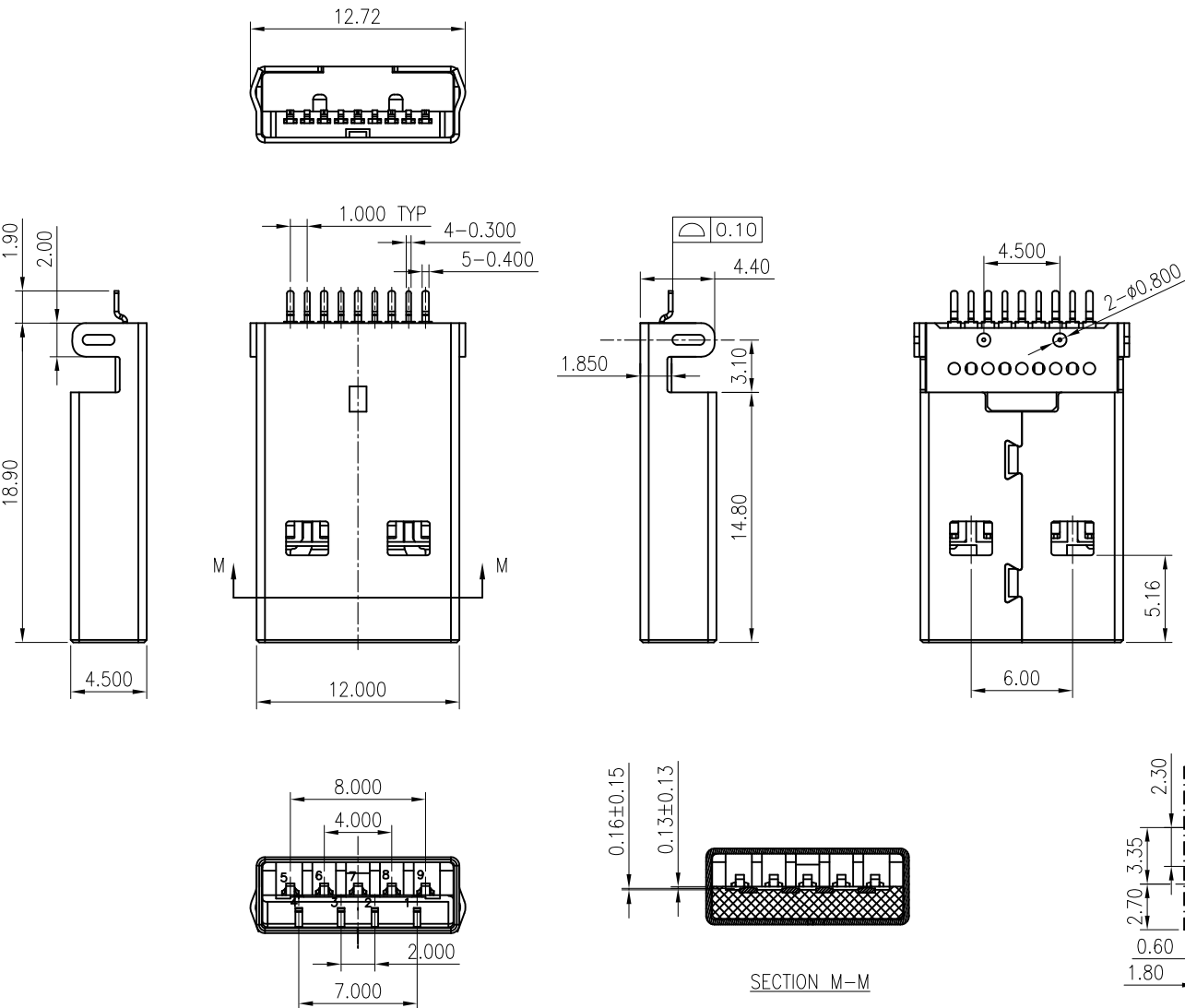
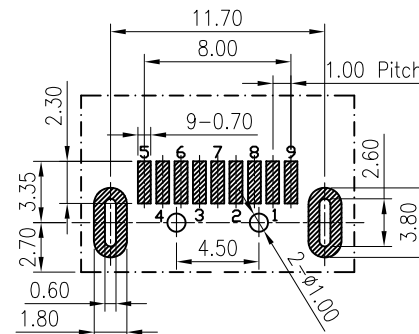


**RoHS**  
COMPLIANT



**SPECIFICATIONS:**  
 Contact current Rating:  
 1.8 Amperes for pin1&pin4.  
 0.25 Amperes other contacts  
 Dielectric Withstanding Voltage:AC 100V(RMS)  
 Insulation resistance:100Megohms Minimum.  
 Contact Resistance:  
 30mΩ Max for pin1&pin4  
 50mΩMax for other contacts  
**Mechanical Characteristics:**  
 Mating Force:35 Newtons.Maximum  
 Unmating Force:10 Newtons.Minimum.  
**MATERIAL:** 8N Min After Durability  
 Housing: LCP+30%GF 94V-0 COLOR:BLU  
 Contact: copper alloy( T=0.25mm)  
 Shell: SPCC  
**PLATING:**  
 Contact: Au Plated on contact area  
 Tin Plated on solder area  
 Nickel underplating over all  
 Shell: Nickel Plated  
 operating Temperature:-55°to+85°



Recommended P.C.B. Layout  
 Total tolerance:±0.05mm

Pin NUMBER	SIGNAL NAME
1	VBUS
2	D-
3	D+
4	GND
5	StdA_SSR
6	StdA_SSR
7	GND_DRAI
8	StdA_SST
9	StdA_SST
Shell	Shield

F					TOLERANCE	TITLE:	DRAWN: 353 2022.03.05	KONNRA 东莞市康瑞电子有限公司		
					X.X ±0.30	USB 3.0 AM SMT 90度	CHECKED:	DongGuan Konnra Electronics Co.,Ltd.		
					X.XX ±0.20	沉板1.9	APPROVED:	PART NO.:U03P0001B		
MARK	REVISION DESCRIPTION	SIGNATURE	DATE	X.XXX ±0.10	UNIT:mm	SCALE:N/A	SHEET:1/1	PROJECTION	REV.:A1	DRAWING NO.:U03P0001B-S
1	2	3	4	5	6	7	8	9		