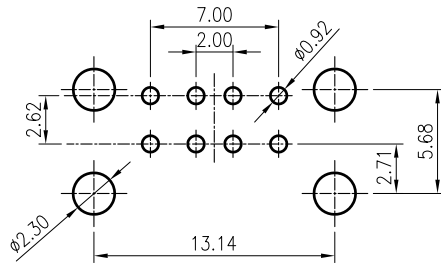
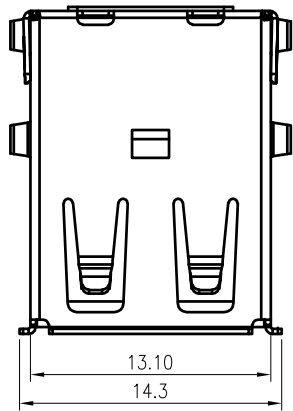
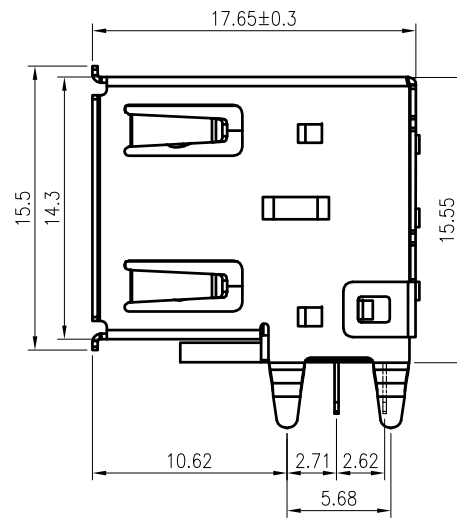
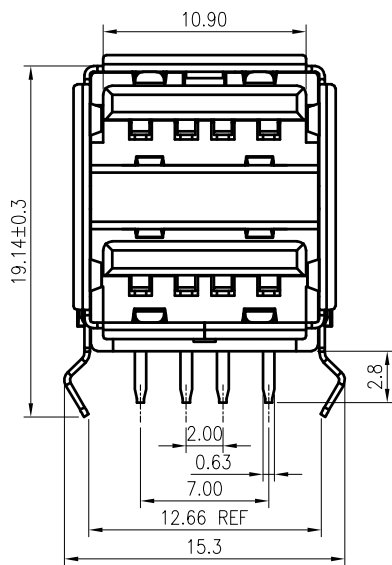
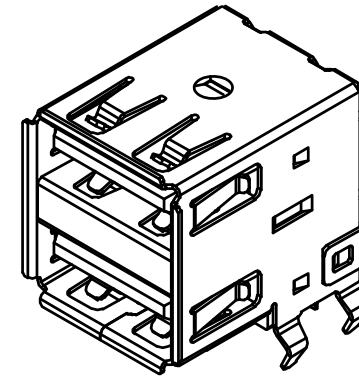


RoHS
COMPLIANT



Recommended P.C.B. Layout
Total tolerance: $\pm 0.05\text{mm}$



NOTE:

1. Material:
Insulator: PBT, WHITE
Contact: Brass/Selective gold plated
Shell: SPCC/Nickel
2. Electrical:
Voltage rating: 30VAC RMS;
Current rating: 1.5 AMP MAX;
Contact resistance: 30m Ω MAX;
Dielectric withstanding voltage:
500 V AC for one minute at sea level;
3. Mechanical:
Mating force: 35N MAX
Unmating force: 10N MIN
Durability: 3000 cycles
4. ENVIRONMENTAL:
Operating temperature: -55 $^{\circ}\text{C}$ TO 85 $^{\circ}\text{C}$



MARK

REVISION DESCRIPTION

SIGNATURE

DATE

TOLERANCE
X.X ± 0.30
X.XX ± 0.20
X.XXX ± 0.10
Angle $\pm 2^{\circ}$

TITLE:
USB A/F 90 $^{\circ}$ 双层弯
脚15.3插板小卷边

UNIT:mm SCALE:N/A

DRAWN: *Arwin 2020.11.03*

CHECKED:

APPROVED:

SHEET: 1/1 PROJECTION

KONNRA 东莞市康瑞电子有限公司
DongGuan Konnra Electronics Co.,Ltd.

PART NO.: U02S0005B

REV.: A1 DRAWING NO.: U02S0005B-S