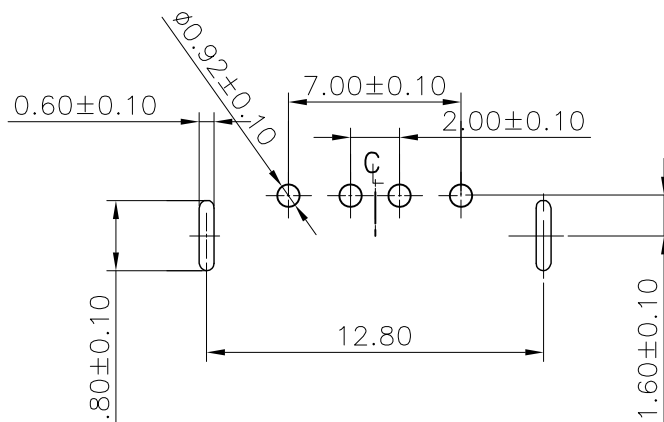
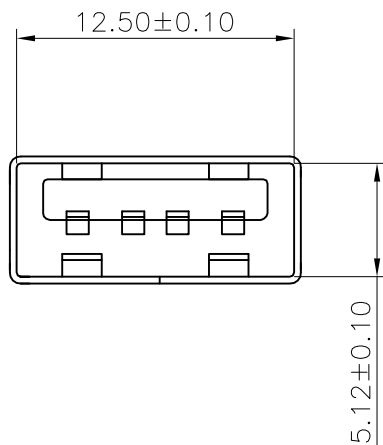


**RoHS**  
COMPLIANT



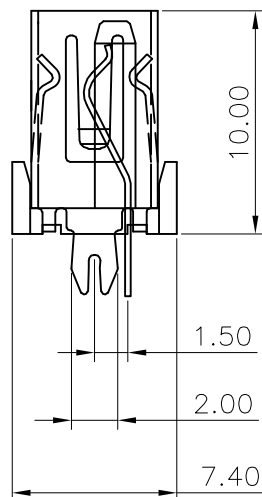
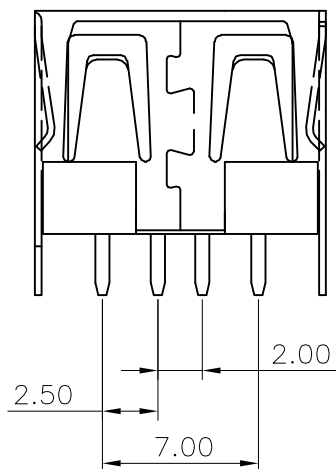
RECOMMENDED P.C.B LAYOUT (COMPONENT SIDE)  
P.C.B THICKNESS=1.60mm (TOLERANCE=±0.05)

◆ SPECIFICATIONS

- Insulation resistance: 1000MΩ Min.
- Withstanding voltage: 500V AC/ minute.
- Current rating: 1.5A AC, DC
- Contact resistance: 30mΩ Max.

Material:

Insulator: LCPUL 94V-0  
Contact: Brass/selective gold flash  
Shell: Brass/ Nickel



MARK

更改料号及图框格式

Arvin  
SIGNATURE

2021.04.26  
DATE

TOLERANCE  
X.X ±0.30  
X.XX ±0.20  
X.XXX ±0.10  
Angle ±2°

TITLE:  
USB A/F 短体 10.0  
180度 无边 鱼叉脚  
插板

UNIT:mm SCALE:N/A

DRAWN: Arvin 2021.04.26

CHECKED:

APPROVED:

SHEET:1/1 PROJECTION

**KONNRA** 东莞市康瑞电子有限公司  
DongGuan Konnra Electronics Co.,Ltd.

PART NO.:U02S0001B

REV.:A2 DRAWING NO.:U02S0001B-S