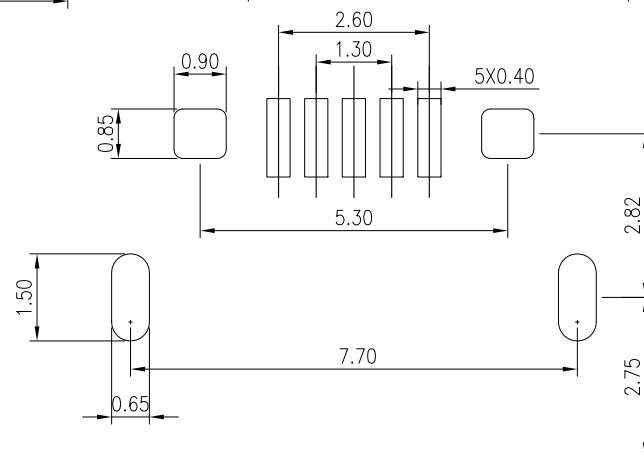
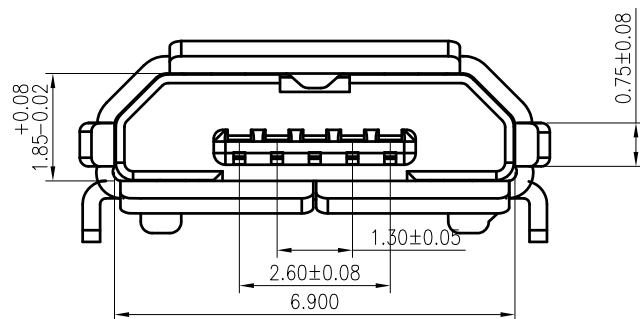
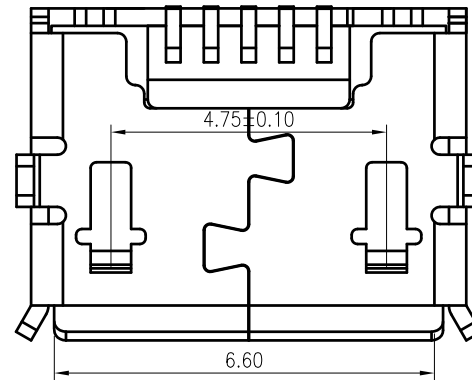
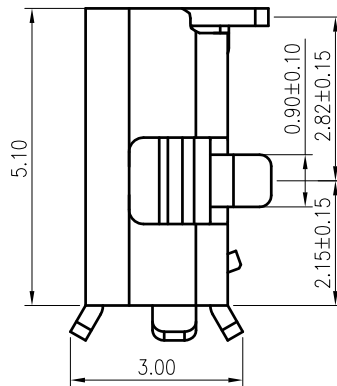
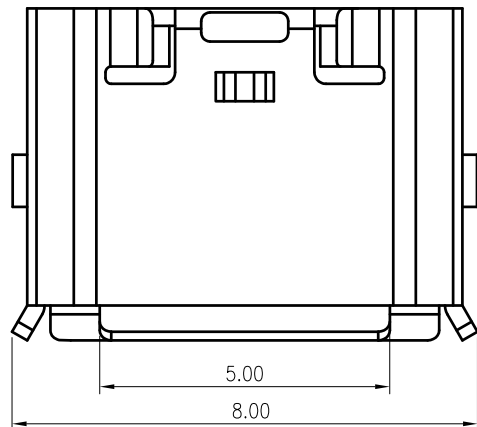
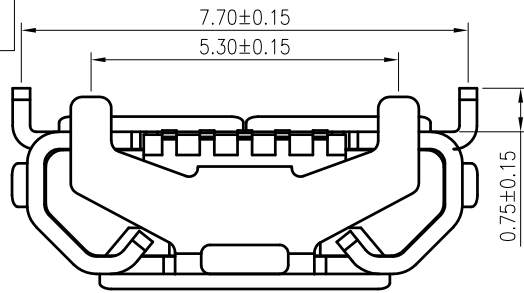


RoHS
COMPLIANT



Recommended P.C.B. Layout
Total tolerance:±0.05mm

Note:

1.Material:

- 1.1 Housing: High temperature thermoplastic with g.f,UL94v-0
- 1.2 Contact: copper alloy,t=0.15mm
- 1.3 Shell: SUS

2.Specification:

- 2.1 Current rating: 1 A Max.
- 2.2 Dielectric withstanding voltage: 100 V(AC) for 1 min.
- 2.3 Contact resistance: 30 mΩ Max.
- 2.4 Insulation resistance: 100 MΩ Min.
- 2.5 Total mating force: 3.57 Kgf Max.
- 2.6 Total unmating force: 1.0 Kgf Min.0.81~2.05 Kgf Min.after 10000 insertion/extraction cycles
- 2.7 Temperature range: -30°C~80°C



MARK

REVISION DESCRIPTION

SIGNATURE

DATE

TOLERANCE

- X.X ±0.30
- X.XX ±0.20
- X.XXX ±0.10
- Angle ±2°

TITLE:

Micro 5P/F B 反向牛
角内DIP0.75
(7.7-5.3)

UNIT:mm

SCALE:N/A

DRAWN:

Arwin 2021.06.08

CHECKED:

APPROVED:

SHEET:1/1

PROJECTION

KONNRA 东莞市康瑞电子有限公司
DongGuan Konnra Electronics Co.,Ltd.

PART NO.:U01S0005R

REV.:A1

DRAWING NO.:U01S0005R-S