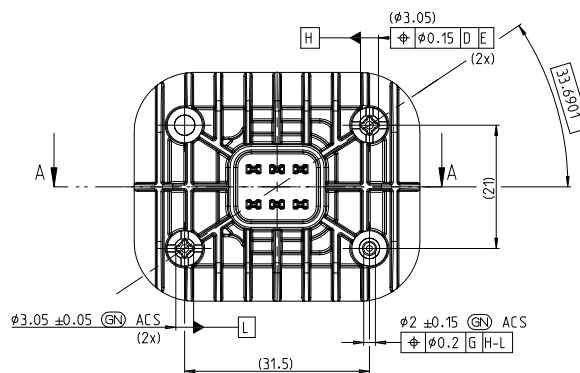
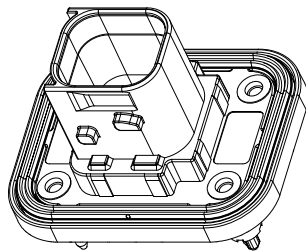
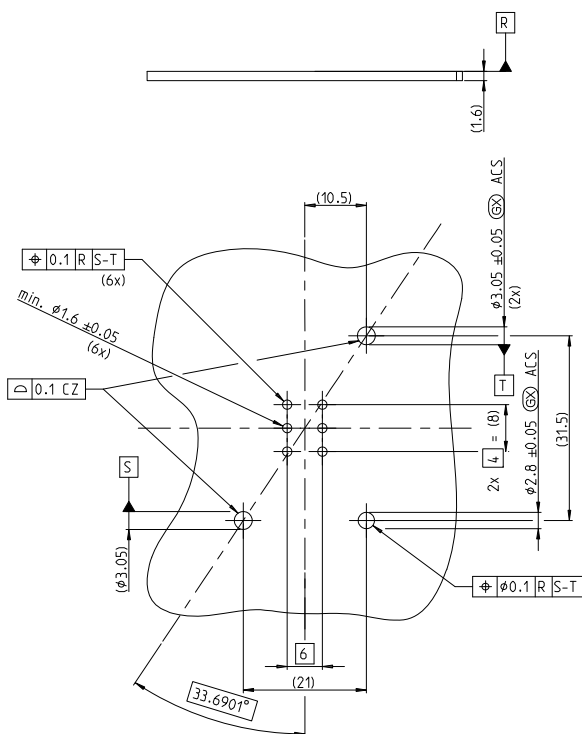


**RoHS**  
COMPLIANT

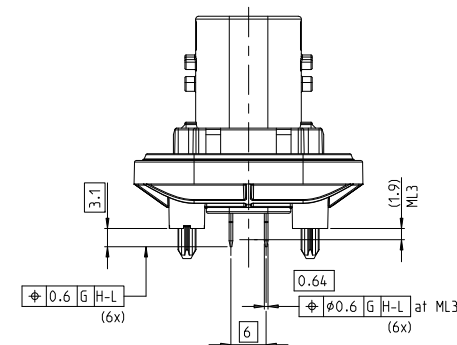
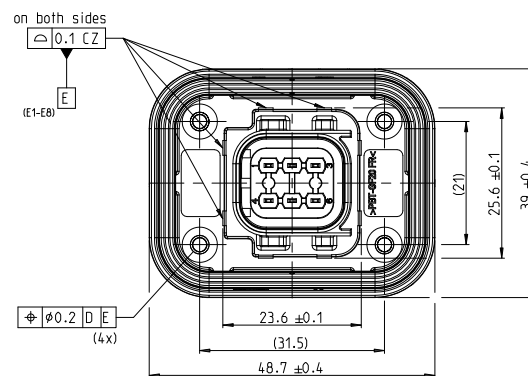
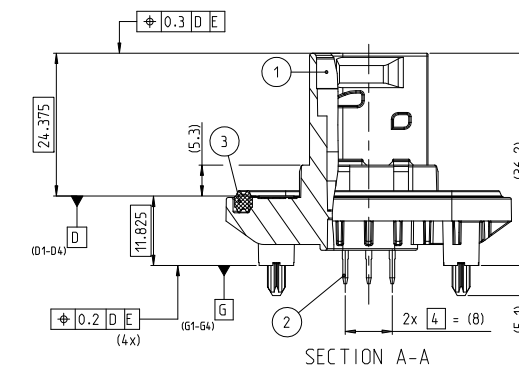


**SPECIFICATIONS**

1. Current rating: 3A AC, DC
2. Temperature range: -40°C ~ +140°C
3. Insulation resistance: 1000MΩ min.
4. Withstanding voltage: 500V AC/ minute.
5. Contact resistance: 5mΩ max.



Recommended P.C.B. Layout



PBT-GF20 FR	BLACK	6POS. TAB HEADER, CODE "A"	1
CuSn	SILVER	1.6mm TAB	2
VHQ	GREEN	AXIAL SEAL	3
MATERIAL	COLOUR	DESCRIPTION	POS NO

△A03			
△A02			
△A01			
MARK	REVISION DESCRIPTION	SIGNATURE	DATE
1			
2			
3			

TOLERANCE  
 X.X ±0.30  
 X.XX ±0.20  
 X.XXX ±0.10  
 Angle ±2°

TITLE:  
 Pitch 4.0 2x3P  
 Pin Connector

UNIT:mm SCALE:1:1

DRAWN: *LCC 2024.07.23*  
 CHECKED:  
 APPROVED:

SHEET:1/1 PROJECTION

**KONNRA** 东莞市康瑞电子有限公司  
 DongGuan Konnra Electronics Co.,Ltd.  
 PART NO.:C4005VD20305T0101BA  
 REV.:A01 DRAWING NO.:4005WFVD201-A-S