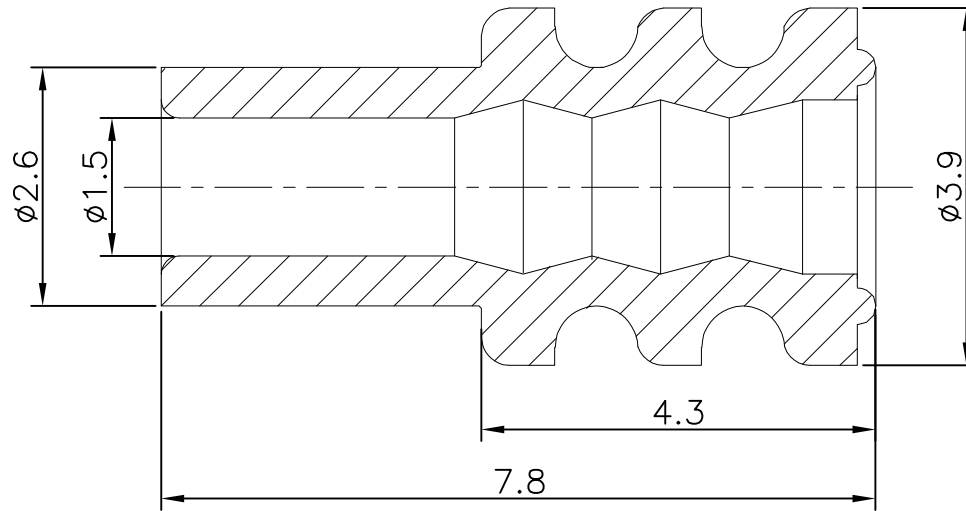
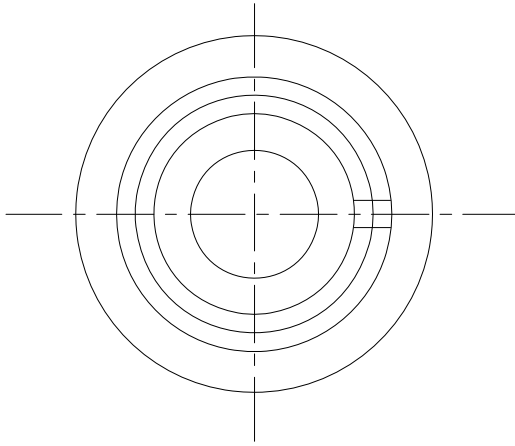


RoHS
COMPLIANT

MATERIAL: SILICON YELLOW



F					TOLERANCE	TITLE:	DRAWN:	KONNRA 东莞市康瑞电子有限公司 DongGuan Konnra Electronics Co.,Ltd.				
					X.X ±0.30	Single Wire Seal	CHECKED:					
					X.XX ±0.20	Silicone	APPROVED:	PART NO.: QA000291				
	MARK	REVISION DESCRIPTION	SIGNATURE	DATE	X.XXX ±0.10	UNIT:mm	SCALE:1:1	SHEET:1/1	PROJECTION	REV.:A01	DRAWING NO.: QA000291-S	
	1	2	3	4	Angle ±2°						8	9