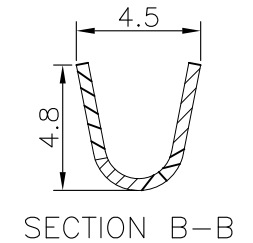
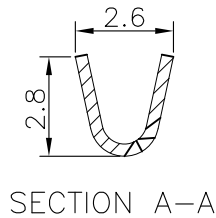
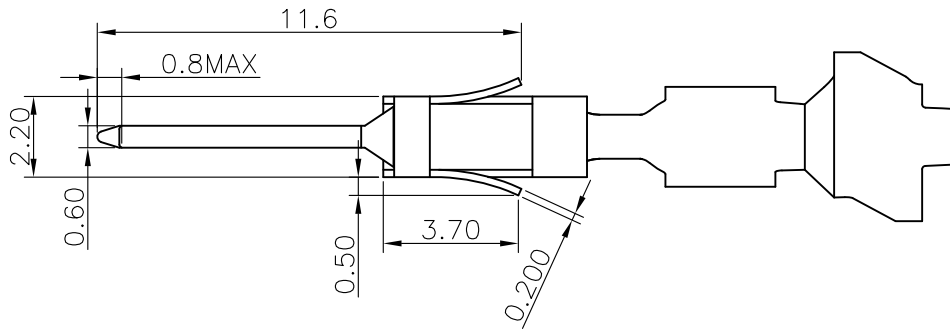
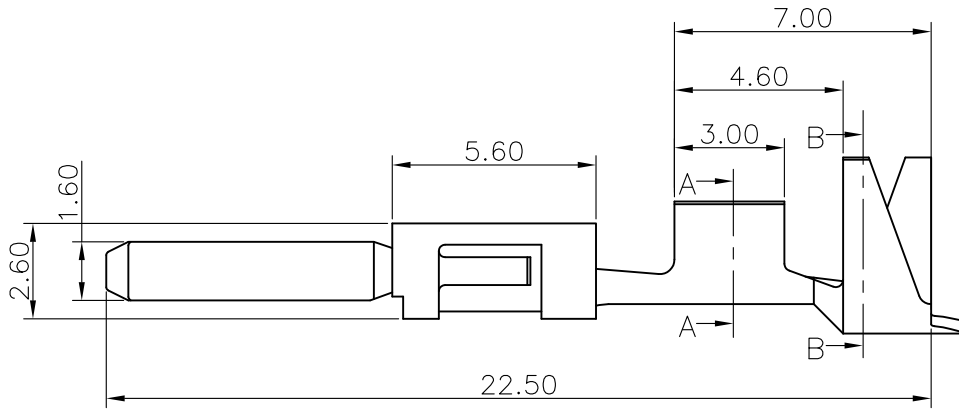
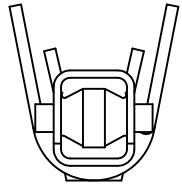


**RoHS**  
COMPLIANT

**SPECIFICATIONS**

1. Current rating: 3A AC, DC
  2. Temperature range: -40°C ~ +140°C
  3. Insulation resistance: 1000MΩ min.
  4. Withstanding voltage: 500V AC/ minute.
  5. Contact resistance: 5mΩ max.
- Material: Copper alloy/Tin plated over nickel  
Applicable wires: AWG #17~#20



F	△A03				TOLERANCE	TITLE:	DRAWN: <i>LCC 2024.07.25</i>	KONNRA 东莞市康瑞电子有限公司 DongGuan Konnra Electronics Co.,Ltd.			
	△A02				X.X ±0.30	Pitch 4.0	CHECKED:				
	△A01				X.XX ±0.20	Socket Connector	APPROVED:	PART NO.: T4005MCT0101A			
MARK	REVISION DESCRIPTION	SIGNATURE	DATE	X.XXX ±0.10	Angle ±2°	UNIT:mm	SCALE:N/A	SHEET: 1/1	PROJECTION	REV.: A01	DRAWING NO.: 4005TM01-A-S