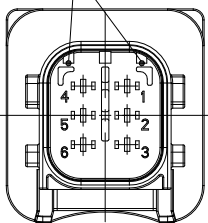
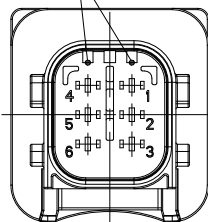


RoHS
COMPLIANT

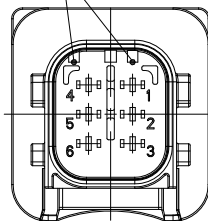
CODING "A"



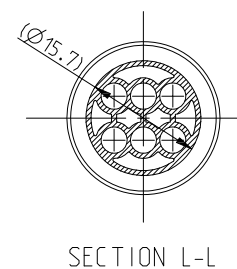
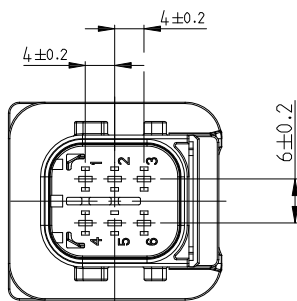
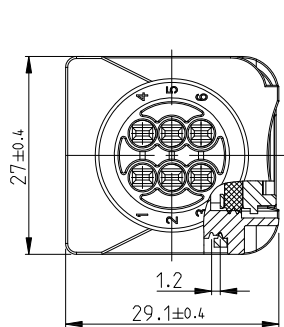
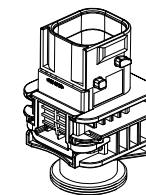
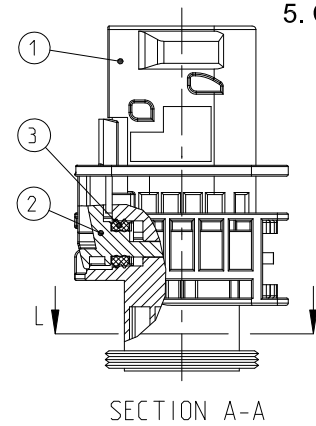
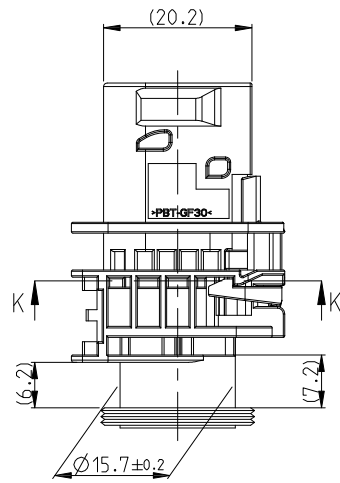
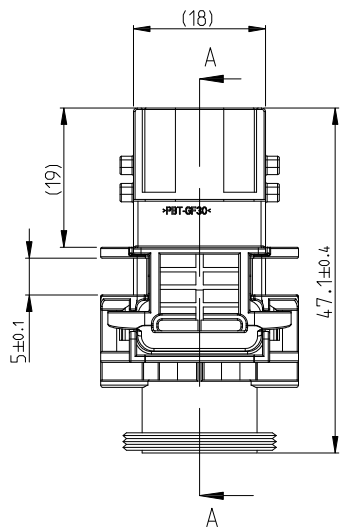
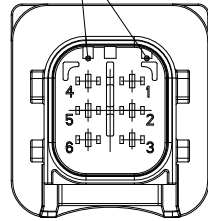
CODING "B"



CODING "C"



CODING "D"



SPECIFICATIONS

1. Current rating: 3A AC, DC
2. Temperature range: -40°C ~ +140°C
3. Insulation resistance: 1000MΩ min.
4. Withstanding voltage: 500V AC/ minute.
5. Contact resistance: 5mΩ max.

PBT-GF30 / V-0	BLACK	6POS. TAB HOUSING, CODE "A"	1
PBT-GF30 / V-0	GREY	6POS. TAB HOUSING, CODE "B"	1
PBT-GF30 / V-0	GREEN	6POS. TAB HOUSING, CODE "C"	1
PBT-GF30 / V-0	BLUE	6POS. TAB HOUSING, CODE "D"	1
PBT-GF30 / V-0	YELLOW	SECONDARY LOCKING DEVICE	2
VMQ	WHITE	SEAL FOR SECONDARY LOCKING	3
MATERIAL	COLOUR	DESCRIPTION	ITEM NO

△A03			
△A02			
△A01			
MARK	REVISION DESCRIPTION	SIGNATURE	DATE

TOLERANCE	TITLE:
X.X ±0.30	Pitch 4.0 2x3P
X.XX ±0.20	Socket Housing
X.XXX ±0.10	H=47.1
Angle ±2°	UNIT:mm SCALE:1:1

DRAWN:	LC0 2024.07.23
CHECKED:	
APPROVED:	
SHEET: 1/1	PROJECTION

KONNRA 东莞市康瑞电子有限公司	
DongGuan Konnra Electronics Co.,Ltd.	
PART NO.: H4005M2030501A	
REV.: A01	DRAWING NO.: 4005H201-A-S