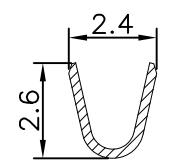
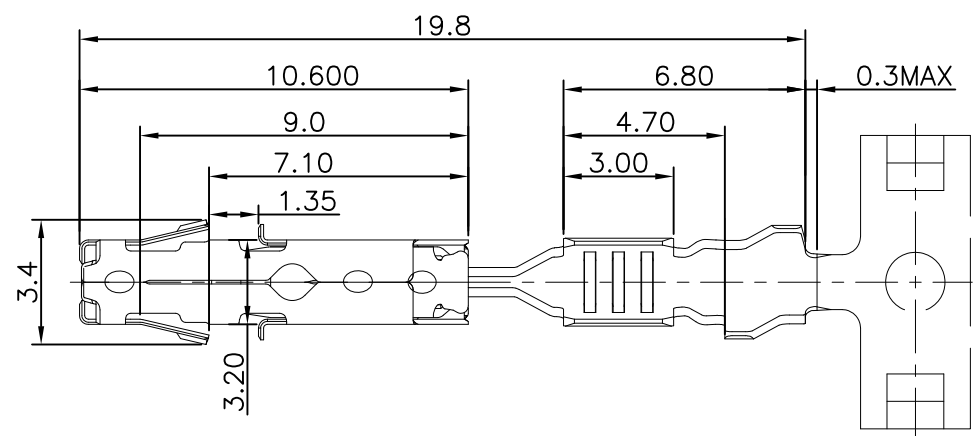
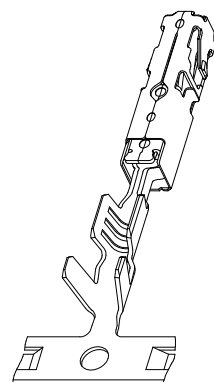
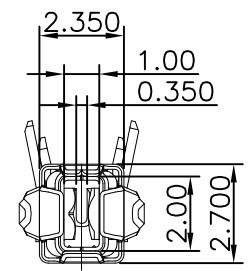
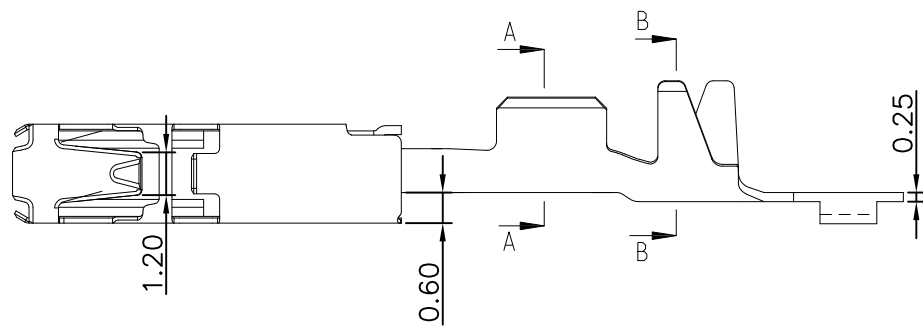


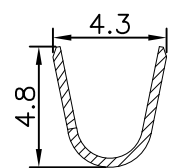
RoHS
COMPLIANT

SPECIFICATIONS

1. Current rating: 3A AC, DC
 2. Temperature range: -40°C ~ +140°C
 3. Insulation resistance: 1000MΩ min.
 4. Withstanding voltage: 500V AC/ minute.
 5. Contact resistance: 5mΩ max.
- Material: Copper alloy/Tin plating



SECTION A-A



SECTION B-B

F	△A03				TOLERANCE X.X ±0.30 X.XX ±0.20 X.XXX ±0.10 Angle ±2°	TITLE: Pitch 4.0 Socket Connector L=19.8	DRAWN: <i>LCC 2024.07.25</i>	KONNRA 东莞市康瑞电子有限公司		
	△A02						CHECKED:	DongGuan Konnra Electronics Co.,Ltd.		
	△A01						APPROVED:	PART NO.: T4005FCT0101A		
	MARK	REVISION DESCRIPTION	SIGNATURE	DATE			UNIT:mm	SCALE:N/A	SHEET:1/1	PROJECTION
	1	2	3	4	5	6	7	8	9	