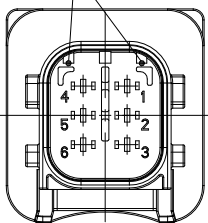
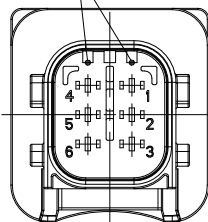


RoHS
COMPLIANT

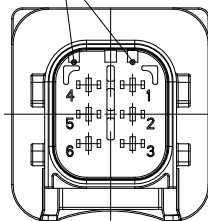
CODING "A"



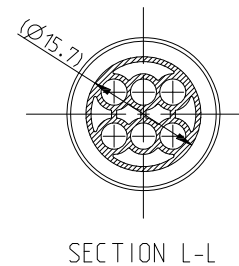
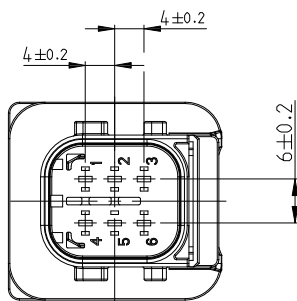
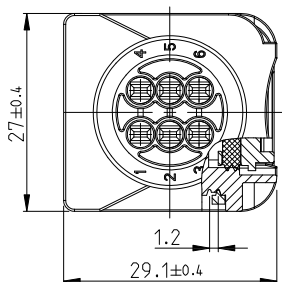
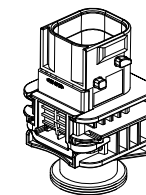
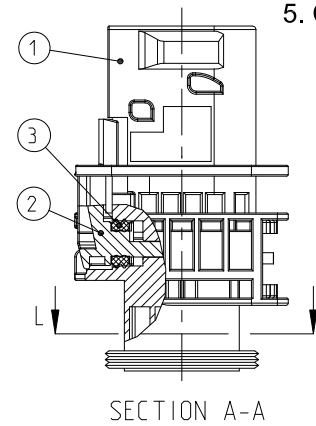
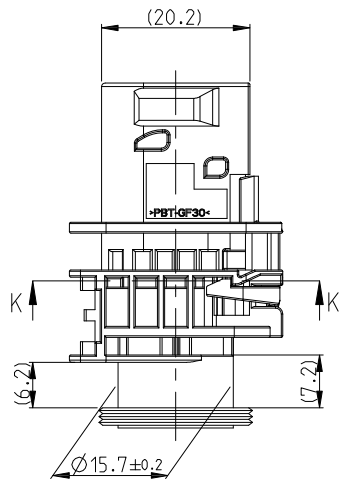
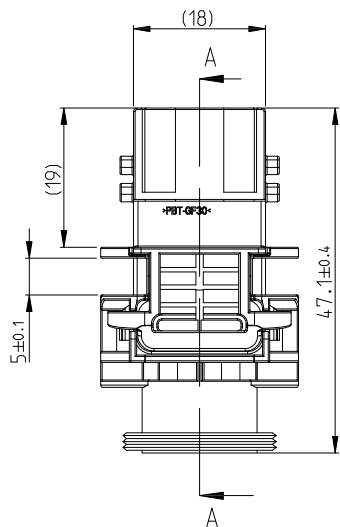
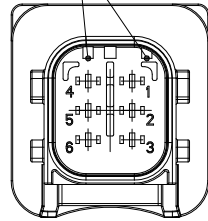
CODING "B"



CODING "C"



CODING "D"



SPECIFICATIONS

1. Current rating: 3A AC, DC
2. Temperature range: -40°C ~ +140°C
3. Insulation resistance: 1000MΩ min.
4. Withstanding voltage: 500V AC/ minute.
5. Contact resistance: 5mΩ max.

PBT-GF30 / V-0	BLACK	6POS. TAB HOUSING, CODE "A"	1
PBT-GF30 / V-0	GREY	6POS. TAB HOUSING, CODE "B"	1
PBT-GF30 / V-0	GREEN	6POS. TAB HOUSING, CODE "C"	1
PBT-GF30 / V-0	BLUE	6POS. TAB HOUSING, CODE "D"	1
PBT-GF30 / V-0	YELLOW	SECONDARY LOCKING DEVICE	2
VMQ	WHITE	SEAL FOR SECONDARY LOCKING	3
MATERIAL	COLOUR	DESCRIPTION	ITEM NO



MARK

REVISION DESCRIPTION

SIGNATURE

DATE

TOLERANCE

X.X ±0.30
X.XX ±0.20
X.XXX ±0.10
Angle ±2°

TITLE:

Pitch 4.0 2x3P
Socket Housing
H=47.1

UNIT:mm

SCALE:1:1

DRAWN: *LCC 2024.07.23*

CHECKED:

APPROVED:

SHEET:1/1

PROJECTION

KONNRA 东莞市康瑞电子有限公司

DongGuan Konnra Electronics Co.,Ltd.

PART NO.:H4005M2030501A

REV.:A01 DRAWING NO.:4005H201-A-S

1

2

3

4

5

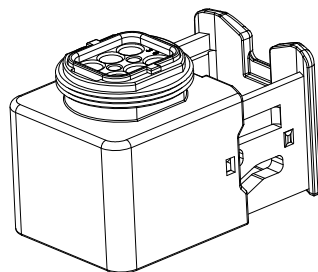
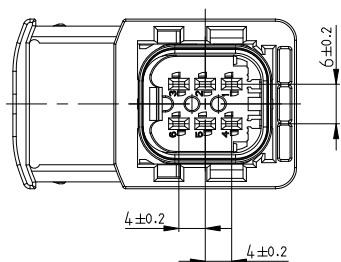
6

7

8

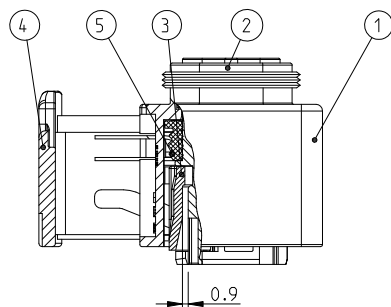
9

RoHS
COMPLIANT

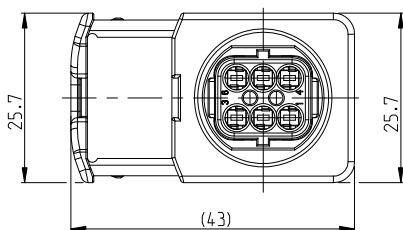
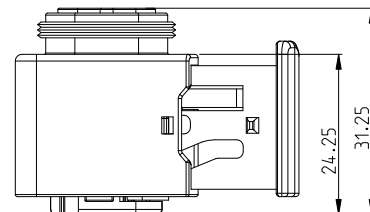
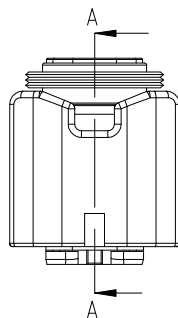


SPECIFICATIONS

1. Current rating: 3A AC, DC
2. Temperature range: -40°C ~ +140°C
3. Insulation resistance: 1000MΩ min.
4. Withstanding voltage: 500V AC/ minute.
5. Contact resistance: 5mΩ max.

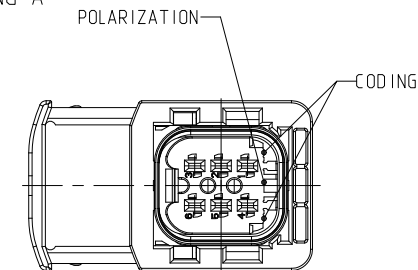


SECTION A-A

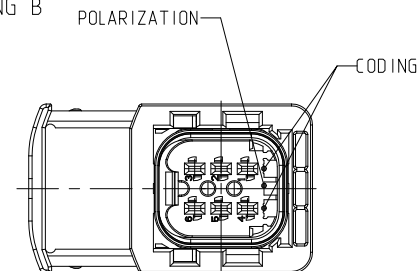


PBT-GF30 / V-0	BLACK	RECEPTACLE HOUSING	1
PBT-GF30 / V-0	BLACK	6POS. CAVITY BLOCK, CODE. "A"	2
PBT-GF30 / V-0	GREY	6POS. CAVITY BLOCK, CODE. "B"	2
PBT-GF30 / V-0	GREEN	6POS. CAVITY BLOCK, CODE. "C"	2
PBT-GF30 / V-0	BLUE	6POS. CAVITY BLOCK, CODE. "D"	2
PBT-GF30 / V-0	YELLOW	SECONDARY LOCKING DEVICE	3
PBT-GF30 / V-0	YELLOW	U-SLIDE	4
VMQ	WHITE	SEAL	5
MATERIAL	COLOUR	DESCRIPTION	ITEM NO

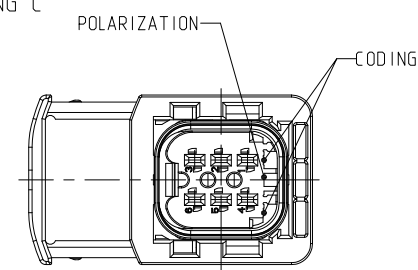
CODING A



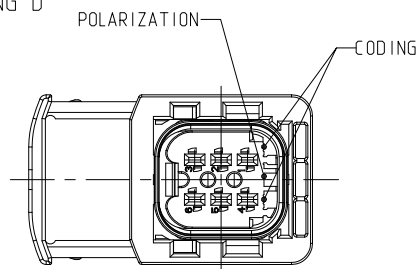
CODING B



CODING C



CODING D



A03

A02

A01

TOLERANCE

X.X ±0.30
X.XX ±0.20
X.XXX ±0.10
Angle ±2°

TITLE:

Pitch 4.0 2X3P
Socket Housing
H=31.25

DRAWN: LCC 2024.07.25

CHECKED:

APPROVED:

KONNRA 东莞市康瑞电子有限公司
DongGuan Konnra Electronics Co.,Ltd.

PART NO.: H4005F2030501A

MARK

REVISION DESCRIPTION

SIGNATURE

DATE

UNIT:mm

SCALE:1:1

SHEET:1/1

PROJECTION

REV.:A01

DRAWING NO.: 4005H201-A-S

1

2

3

4

5

6

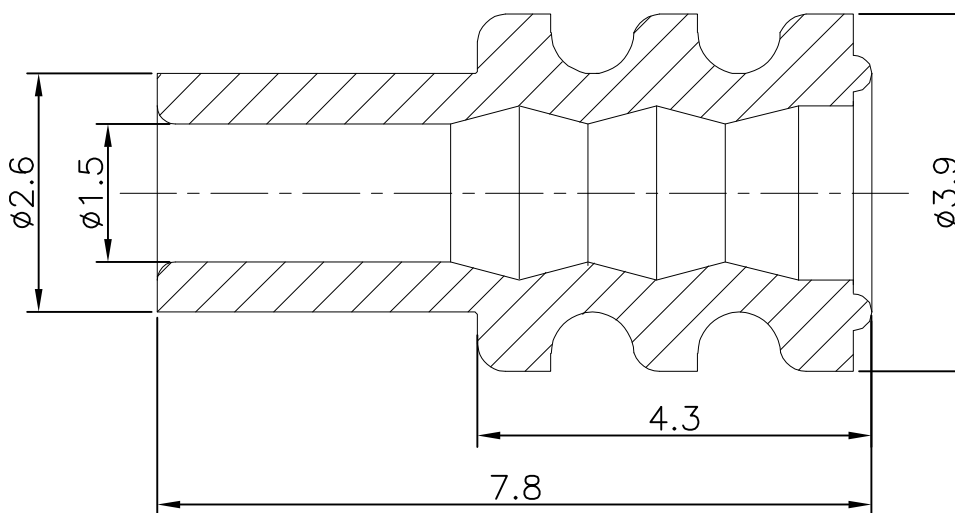
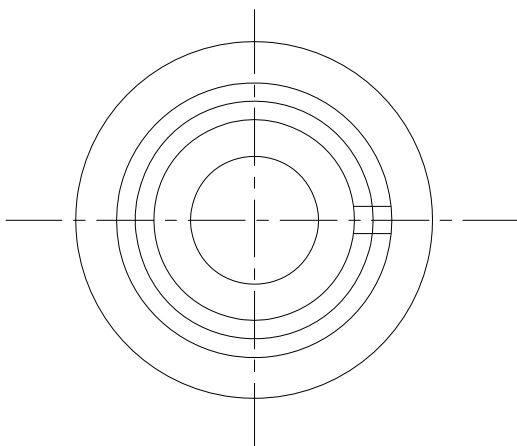
7

8

9

RoHS
COMPLIANT

MATERIAL: SILICON YELLOW



△A03

△A02

△A01

MARK

REVISION DESCRIPTION

SIGNATURE

DATE

TOLERANCE

X.X ±0.30

X.XX ±0.20

X.XXX ±0.10

Angle ±2°

TITLE:
Single Wire Seal
Silicone

UNIT:mm

SCALE:1:1

DRAWN: LCC 2024.07.25

CHECKED:

APPROVED:

SHEET:1/1

PROJECTION

KONNRA 东莞市康瑞电子有限公司
DongGuan Konnra Electronics Co.,Ltd.

PART NO.:QA000291

REV.:A01

DRAWING NO.:QA000291-S

1

2

3

4

5

6

7

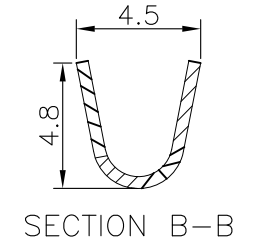
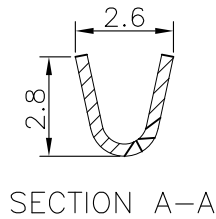
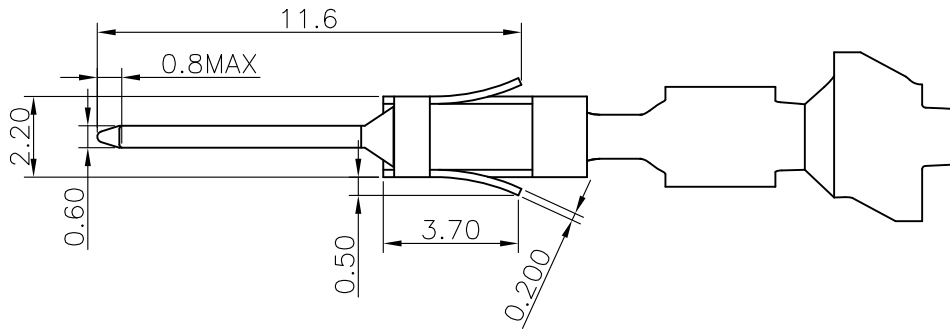
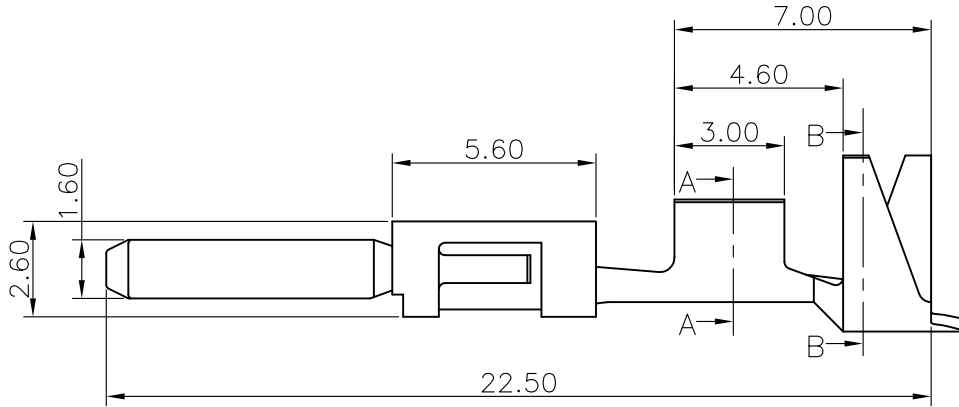
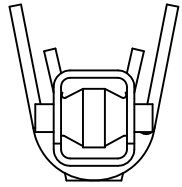
8

9

RoHS
COMPLIANT

SPECIFICATIONS

1. Current rating: 3A AC, DC
 2. Temperature range: -40°C ~ +140°C
 3. Insulation resistance: 1000MΩ min.
 4. Withstanding voltage: 500V AC/ minute.
 5. Contact resistance: 5mΩ max.
- Material: Copper alloy/Tin plated over nickel
Applicable wires: AWG #17~#20

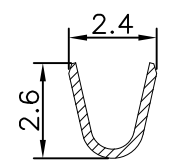
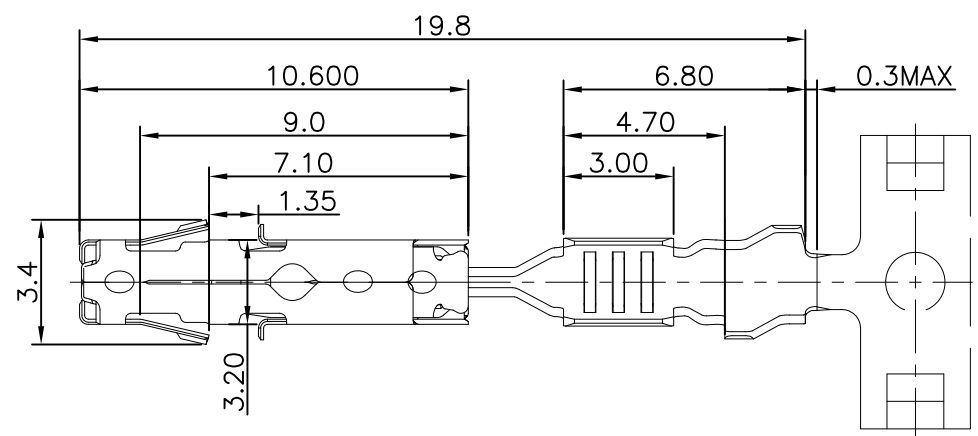
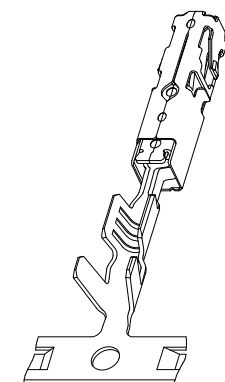
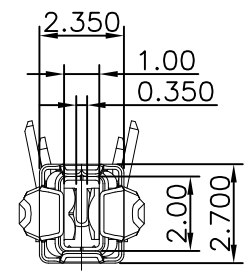
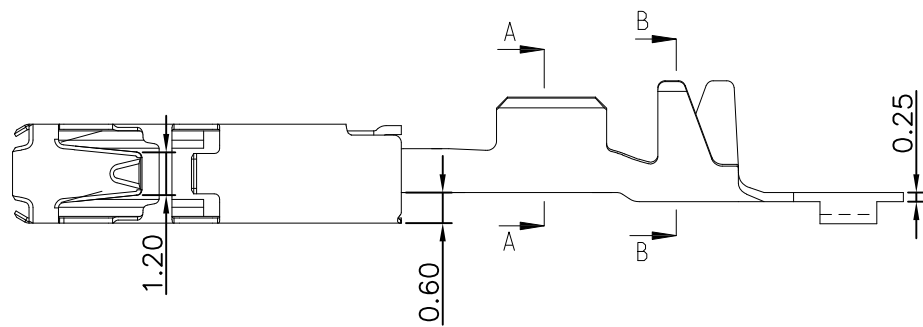


F	△A03				TOLERANCE	TITLE:	DRAWN: <i>LCC 2024.07.25</i>	KONNRA 东莞市康瑞电子有限公司			
	△A02				X.X ±0.30	Pitch 4.0	CHECKED:	DongGuan Konnra Electronics Co.,Ltd.			
	△A01				X.XX ±0.20	Socket Connector	APPROVED:	PART NO.: T4005MCT0101A			
MARK	REVISION DESCRIPTION	SIGNATURE	DATE	X.XXX ±0.10	Angle ±2°	UNIT:mm	SCALE:N/A	SHEET: 1/1	PROJECTION	REV.: A01	DRAWING NO.: 4005TM01-A-S

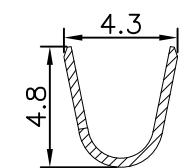
RoHS
COMPLIANT

SPECIFICATIONS

1. Current rating: 3A AC, DC
 2. Temperature range: -40°C ~ +140°C
 3. Insulation resistance: 1000MΩ min.
 4. Withstanding voltage: 500V AC/ minute.
 5. Contact resistance: 5mΩ max.
- Material: Copper alloy/Tin plating



SECTION A-A



SECTION B-B

F	△A03				TOLERANCE X.X ±0.30 X.XX ±0.20 X.XXX ±0.10 Angle ±2°	TITLE: Pitch 4.0 Socket Connector L=19.8	DRAWN: <i>LCC 2024.07.25</i>	KONNRA 东莞市康瑞电子有限公司 DongGuan Konnra Electronics Co.,Ltd.		
	△A02						CHECKED:			
	△A01						APPROVED:			
	MARK	REVISION DESCRIPTION	SIGNATURE	DATE			UNIT:mm			
	1	2	3	4	5	6	7	8	9	