

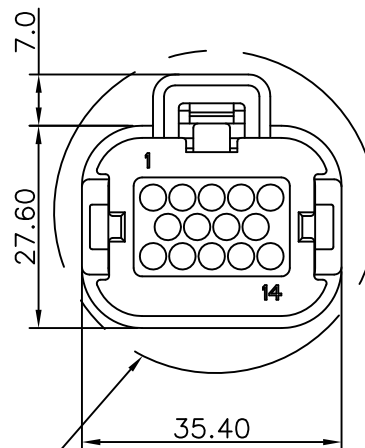
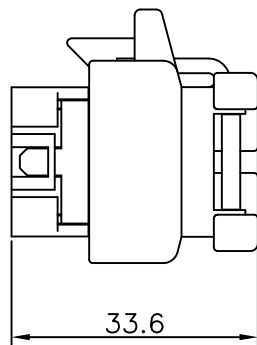
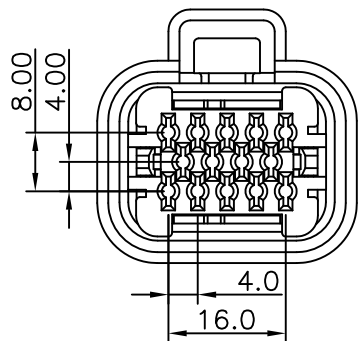
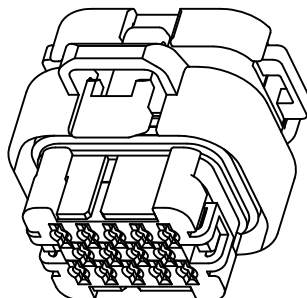
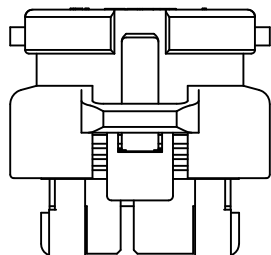
**RoHS**  
COMPLIANT

**SPECIFICATIONS**

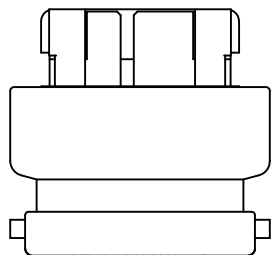
1. Current rating: 3A AC, DC
2. Temperature range: -40°C ~ +105°C
3. Insulation resistance: 100MΩ min.
4. Withstanding voltage: 1000V AC/ minute.
5. Contact resistance: 5mΩ max.

**Material:**

Housing: UL 94V-0 PBT  
 Locking wedge: UL 94V-0 PBT, RED  
 Cover: UL 94V-0 PBT, BLACK  
 Mating seal: SILICONE  
 Wire seal: SILICONE



ASSEMBLY WILL  
PASS THROUGH  
OPENING OF 44.0  
(REFERENCE)



△A03

△A02

△A01

MARK

TOLERANCE

X.X ±0.30  
 X.XX ±0.20  
 X.XXX ±0.10  
 Angle ±2°

TITLE:

Pitch 4.0  
 Socket Housing

UNIT:mm

SCALE:N/A

DRAWN:

LCC 2024.07.26

CHECKED:

APPROVED:

SHEET:1/1

PROJECTION

**KONNRA** 东莞市康瑞电子有限公司

DongGuan Konnra Electronics Co.,Ltd.

PART NO.:H400400140501A

REV.:A01

DRAWING NO.:4004H001-A-S

1

2

3

4

5

6

7

8

9

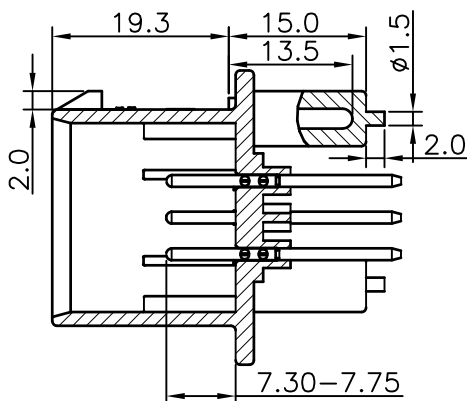
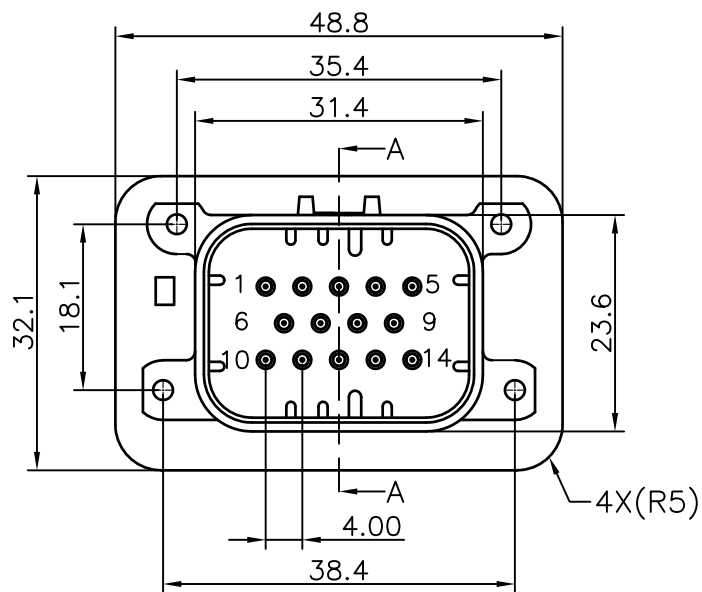
**RoHS**  
COMPLIANT

**SPECIFICATIONS**

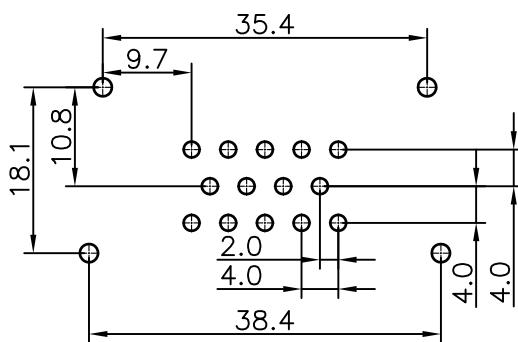
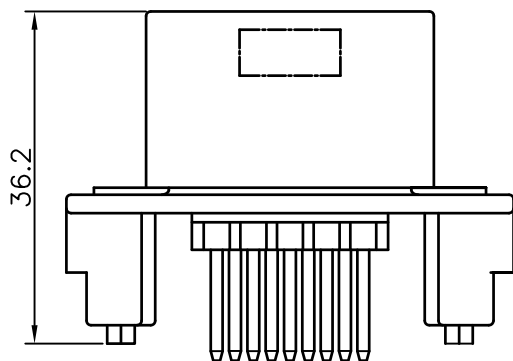
1. Current rating: 3A AC, DC
2. Temperature range: -40°C ~ +105°C
3. Insulation resistance: 100MΩ min.
4. Withstanding voltage: 1000V AC/ minute.
5. Contact resistance: 5mΩ max.

Material:

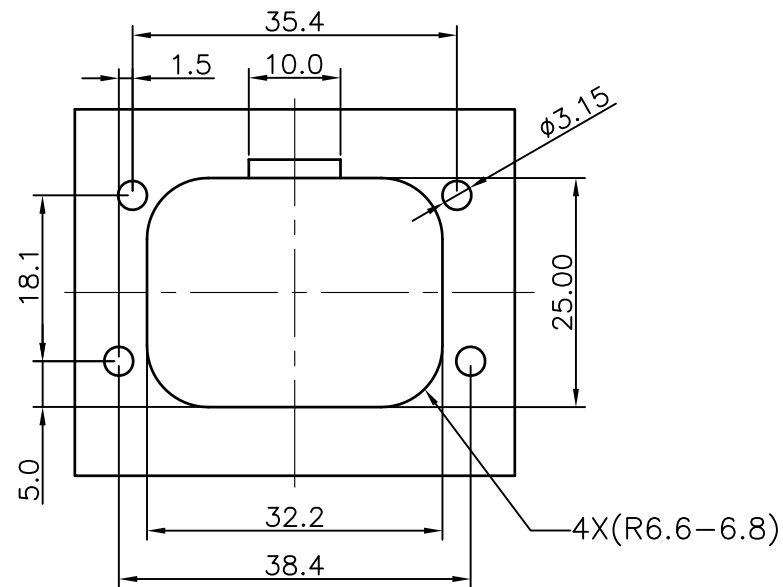
Housing: UL 94V-0 PBT BLACK  
Contact: Brass / Tin plating



SECTION A-A



Recommended P.C.B. Layout



Recommended Mounting Hole Layout

△A03

△A02

△A01

MARK

REVISION DESCRIPTION

SIGNATURE

DATE

TOLERANCE

X.X ±0.30  
X.XX ±0.20  
X.XXX ±0.10  
Angle ±2°

TITLE:

Pitch 4.0 180°  
Pin Connector

UNIT:mm

SCALE:1:1

DRAWN:

LCC 2024.07.22

CHECKED:

APPROVED:

SHEET:1/1

PROJECTION

**KONNRA** 东莞市康瑞电子有限公司  
DongGuan Konnra Electronics Co.,Ltd.

PART NO.:C4004VD01405T0101BA

REV.:A01 DRAWING NO.:4004WFD001-A-S

1

2

3

4

5

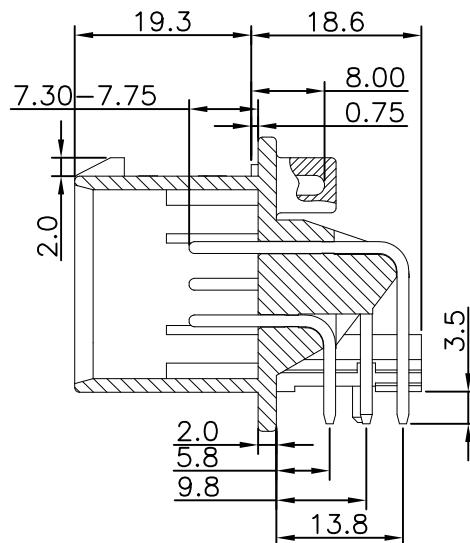
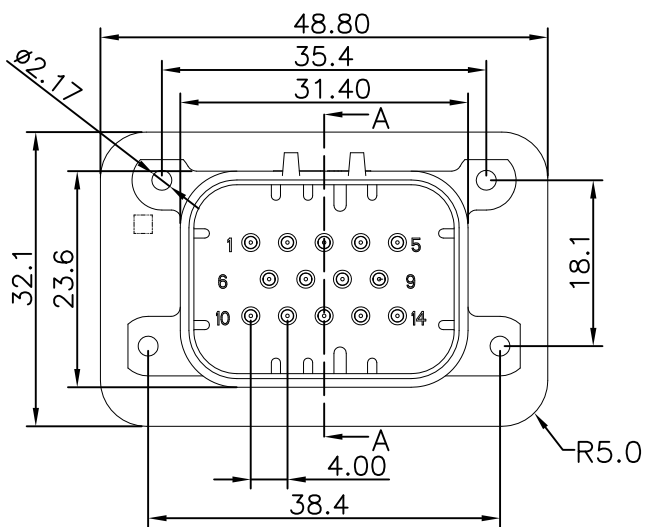
6

7

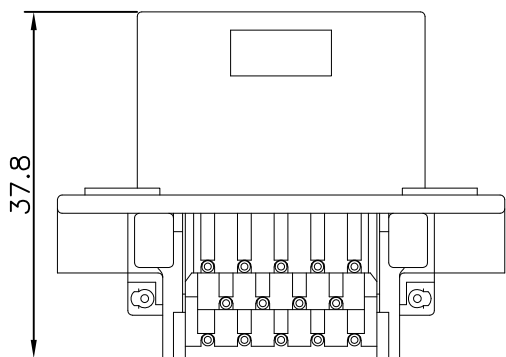
8

9

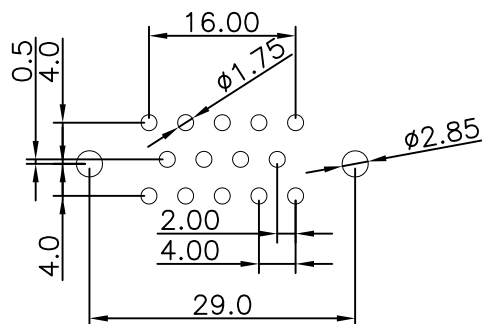
**RoHS**  
COMPLIANT



SECTION A-A



Recommended P.C.B. Layout



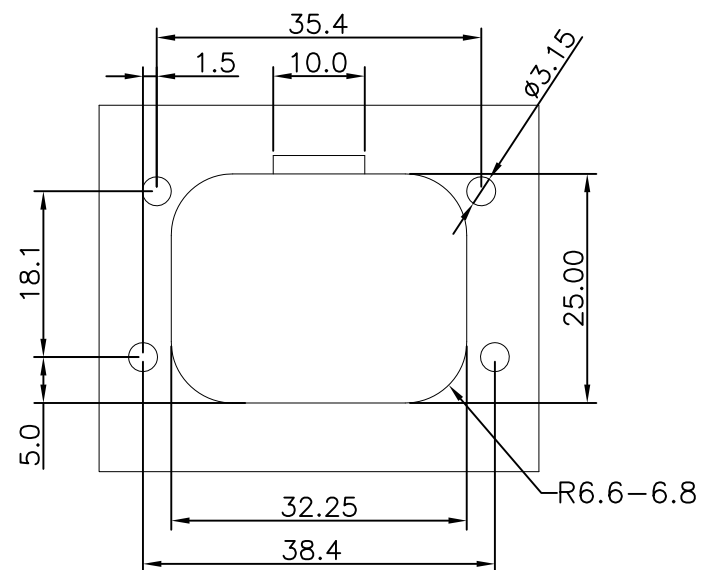
**SPECIFICATIONS**

1. Current rating: 3A AC, DC
2. Temperature range: -40°C ~ +105°C
3. Insulation resistance: 100MΩ min.
4. Withstanding voltage: 1000V AC/ minute.
5. Contact resistance: 5mΩ max.

**Material:**

Housing: UL 94V-0 PBT BLACK

Contact: Brass / Tin plating



Recommended Mounting Hole Layout

△A03

△A02

△A01

MARK

REVISION DESCRIPTION

SIGNATURE

DATE

TOLERANCE

X.X ±0.30

X.XX ±0.20

X.XXX ±0.10

Angle ±2°

TITLE:

Pitch 4.0 90°

Pin Connector

UNIT:mm

SCALE:1:1

DRAWN: LCC 2024.07.23

CHECKED:

APPROVED:

SHEET:1/1

PROJECTION

**KONNRA** 东莞市康瑞电子有限公司  
DongGuan Konnra Electronics Co.,Ltd.

PART NO.:C4004RD01405T0101BA

REV.:A01

DRAWING NO.:4004WFRD001-A-S

1

2

3

4

5

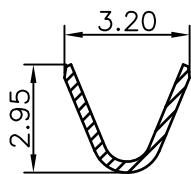
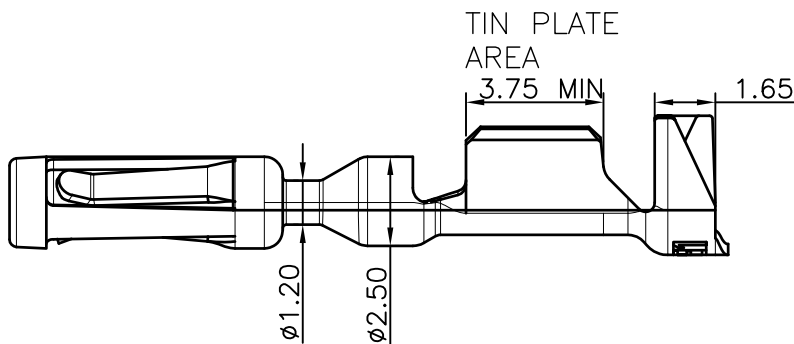
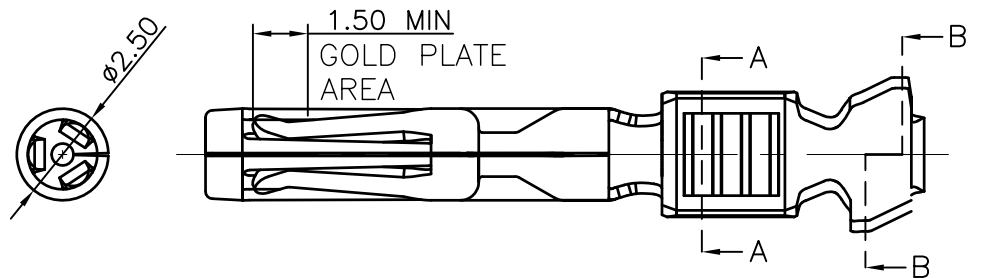
6

7

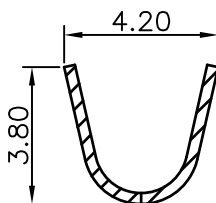
8

9

**RoHS**  
COMPLIANT



SECTION A-A



SECTION B-B

**SPECIFICATIONS**

1. Current rating: 3A AC, DC
  2. Temperature range: -40°C ~ +105°C
  3. Insulation resistance: 100MΩ min.
  4. Withstanding voltage: 1000V AC/ minute.
  5. Contact resistance: 5mΩ max.
- Material: Copper Alloy  
Gold/Tin plated over nickel  
Applicable wires: AWG #16~#20

△A03

△A02

△A01

MARK

TOLERANCE

X.X ±0.30  
X.XX ±0.20  
X.XXX ±0.10  
Angle ±2°

TITLE:  
Pitch 4.0  
Socket Connector

UNIT:mm SCALE:N/A

DRAWN: LCC 2024.07.22

CHECKED:

APPROVED:

SHEET: 1/1 PROJECTION

**KONNRA** 东莞市康瑞电子有限公司  
DongGuan Konnra Electronics Co.,Ltd.

PART NO.: T40040CG0101A

REV.: A01 DRAWING NO.: 4004T001-A-S

1

2

3

4

5

6

7

8

9