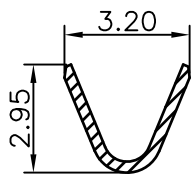
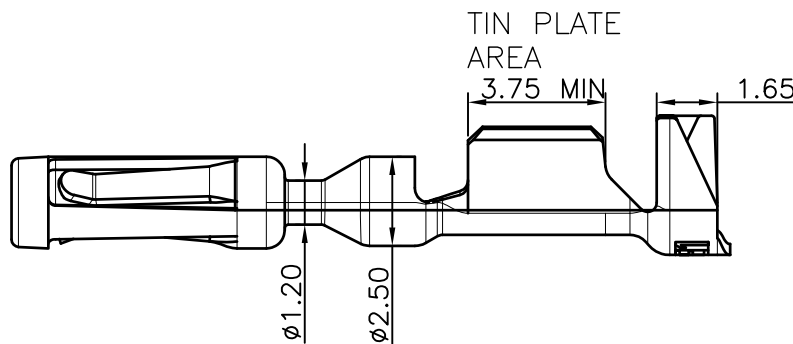
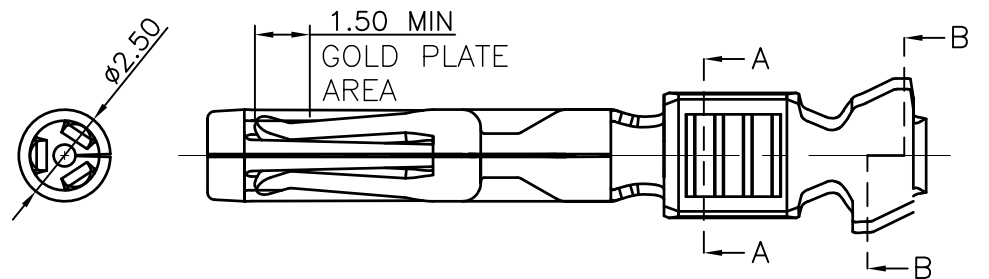
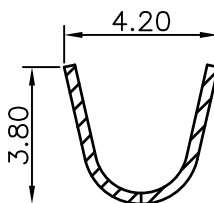


RoHS
COMPLIANT



SECTION A-A



SECTION B-B

SPECIFICATIONS

1. Current rating: 3A AC, DC
 2. Temperature range: -40°C ~ +105°C
 3. Insulation resistance: 100MΩ min.
 4. Withstanding voltage: 1000V AC/ minute.
 5. Contact resistance: 5mΩ max.
- Material: Copper Alloy
Gold/Tin plated over nickel
Applicable wires: AWG #16~#20

△A03

△A02

△A01

MARK

TOLERANCE

X.X ±0.30
X.XX ±0.20
X.XXX ±0.10
Angle ±2°

TITLE:
Pitch 4.0
Socket Connector

UNIT:mm SCALE:N/A

DRAWN: LCC 2024.07.22

CHECKED:

APPROVED:

SHEET: 1/1 PROJECTION

KONNRA 东莞市康瑞电子有限公司
DongGuan Konnra Electronics Co.,Ltd.

PART NO.: T40040CG0101A

REV.: A01 DRAWING NO.: 4004T001-A-S

1

2

3

4

5

6

7

8

9