

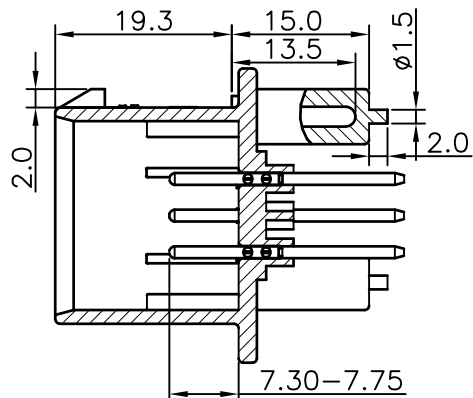
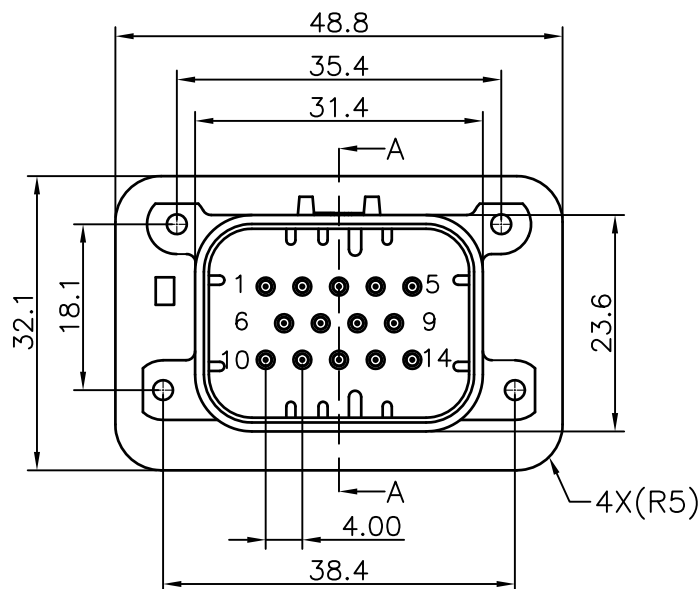
RoHS
COMPLIANT

SPECIFICATIONS

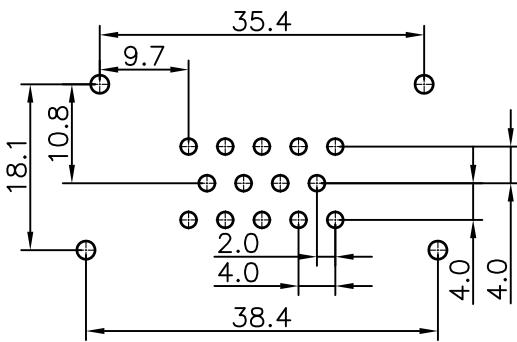
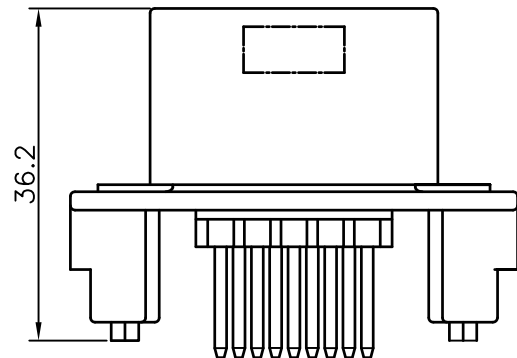
1. Current rating: 3A AC, DC
2. Temperature range: -40°C ~ +105°C
3. Insulation resistance: 100MΩ min.
4. Withstanding voltage: 1000V AC/ minute.
5. Contact resistance: 5mΩ max.

Material:

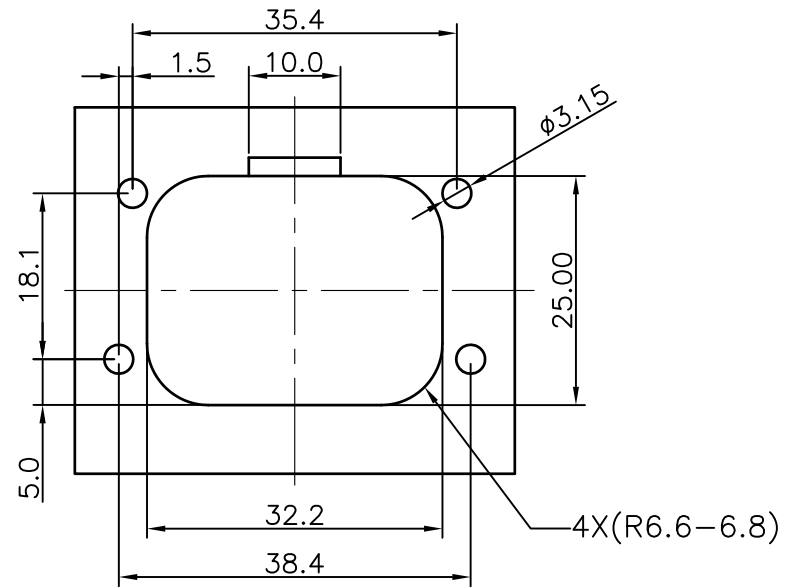
Housing: UL 94V-0 PBT BLACK
Contact: Brass / Tin plating



SECTION A-A



Recommended P.C.B. Layout



Recommended Mounting Hole Layout

F	△A03				TOLERANCE	TITLE:	DRAWN: <i>LCC 2024.07.22</i>	KONNRA 东莞市康瑞电子有限公司		
	△A02				X.X ±0.30	Pitch 4.0 180°	CHECKED:	DongGuan Konnra Electronics Co.,Ltd.		
	△A01				X.XX ±0.20	Pin Connector	APPROVED:	PART NO.: C4004VD01405T0101BA		
	MARK	REVISION DESCRIPTION	SIGNATURE	DATE	X.XXX ±0.10	UNIT:mm	SCALE:1:1	SHEET:1/1	PROJECTION	REV.:A01
	1	2	3	4	5	6	7	8	9	