

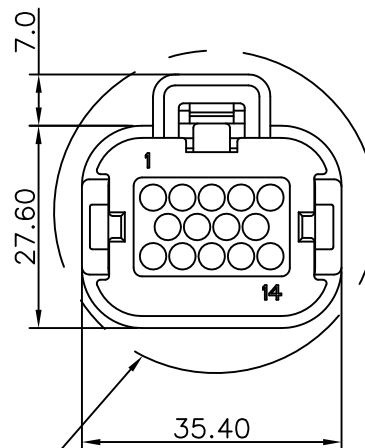
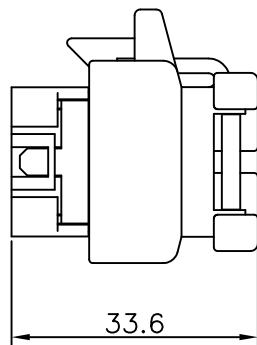
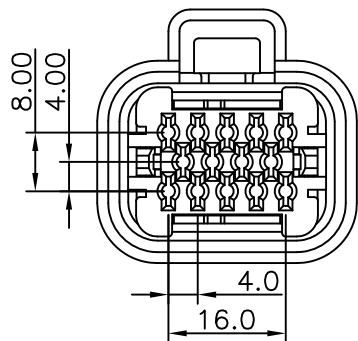
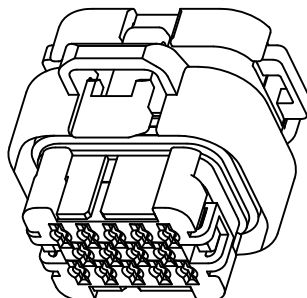
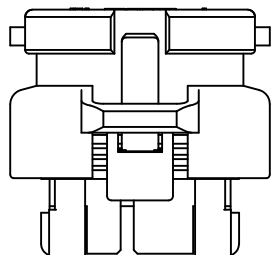
RoHS
COMPLIANT

SPECIFICATIONS

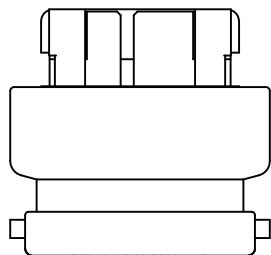
1. Current rating: 3A AC, DC
2. Temperature range: -40°C ~ +105°C
3. Insulation resistance: 100MΩ min.
4. Withstanding voltage: 1000V AC/ minute.
5. Contact resistance: 5mΩ max.

Material:

Housing: UL 94V-0 PBT
 Locking wedge: UL 94V-0 PBT, RED
 Cover: UL 94V-0 PBT, BLACK
 Mating seal: SILICONE
 Wire seal: SILICONE



ASSEMBLY WILL
PASS THROUGH
OPENING OF 44.0
(REFERENCE)



△A03

△A02

△A01

MARK

TOLERANCE

X.X ±0.30
 X.XX ±0.20
 X.XXX ±0.10
 Angle ±2°

TITLE:

Pitch 4.0
 Socket Housing

DRAWN: LCC 2024.07.26

CHECKED:

APPROVED:

UNIT:mm SCALE:N/A

SHEET:1/1

PROJECTION

KONNRA 东莞市康瑞电子有限公司
 DongGuan Konnra Electronics Co.,Ltd.

PART NO.:H400400140501A

REV.:A01 DRAWING NO.:4004H001-A-S

1

2

3

4

5

6

7

8

9