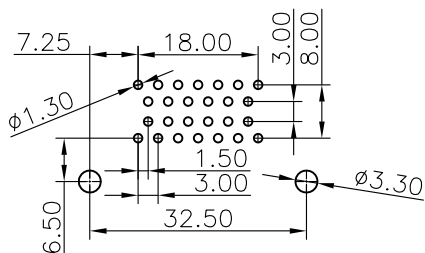
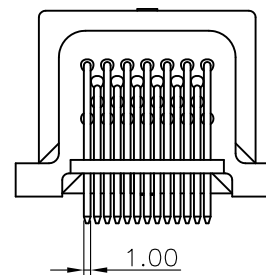
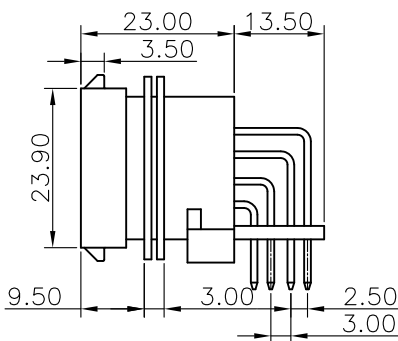
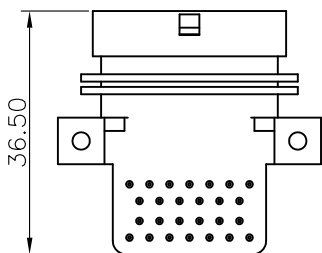
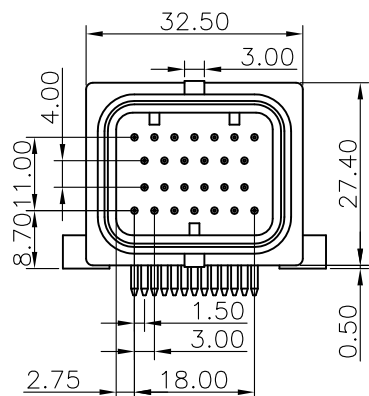
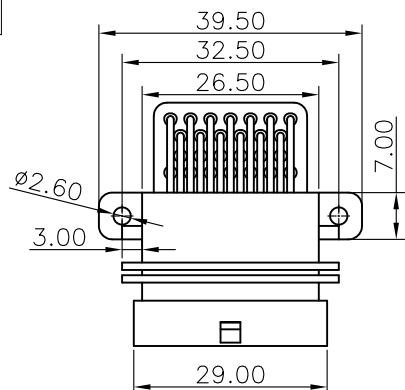


RoHS
COMPLIANT



Recommended P.C.B. Layout

SPECIFICATIONS

1. Current rating: 3A AC, DC
 2. Voltage rating: 250V AC, DC
 3. Temperature range: -40°C ~ +125°C
 4. Insulation resistance: 100MΩ min.
 5. Withstanding voltage: 1000V AC/minute.
 6. Contact resistance: 5mΩ max.
- Material: PBT UL 94V-0 Black
Contact: Brass
Plating: Tin plated over Nickel

△A03

△A02

△A01

MARK

TOLERANCE

- X.X ±0.30
- X.XX ±0.20
- X.XXX ±0.10
- Angle ±2°

TITLE:
Pitch 3.0
Pin Connector

UNIT:mm SCALE:N/A

DRAWN: *LCC 2024.07.26*

CHECKED:

APPROVED:

SHEET: 1/1 PROJECTION

KONNRA 东莞市康瑞电子有限公司
DongGuan Konnra Electronics Co.,Ltd.

PART NO.: C3004RD03405T0101BA

REV.: A01 DRAWING NO.: 3004WFRD001-A-S

1

2

3

4

5

6

7

8

9