

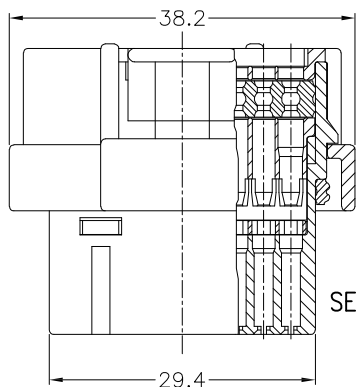
**RoHS**  
COMPLIANT

**SPECIFICATIONS**

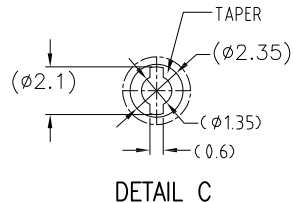
1. Current rating: 3A AC, DC
2. Voltage rating: 250V AC, DC
3. Temperature range: -40°C ~ +125°C
4. Insulation resistance: 100MΩ min.
5. Withstanding voltage: 1000V AC/ minute.
6. Contact resistance: 5mΩ max.

**Material:**

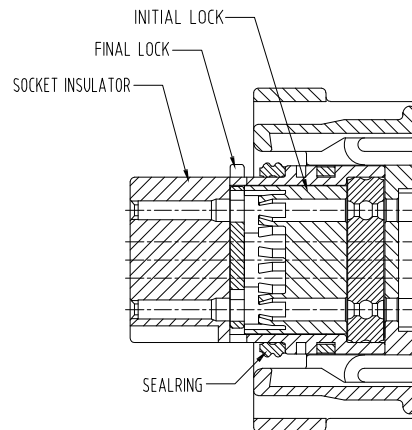
- Socket insulator: PBT UL 94V-0 Black
- Final lock: PBT UL 94V-0 White
- Initial lock: PBT UL 94V-0 Black
- Sealring: SILICON RUBBER RED BROWN



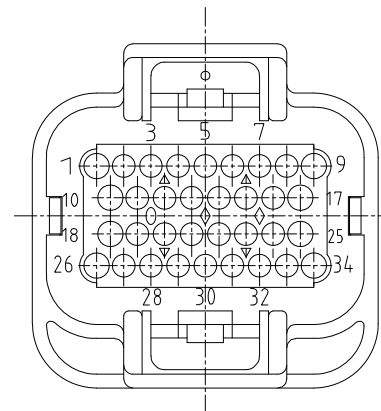
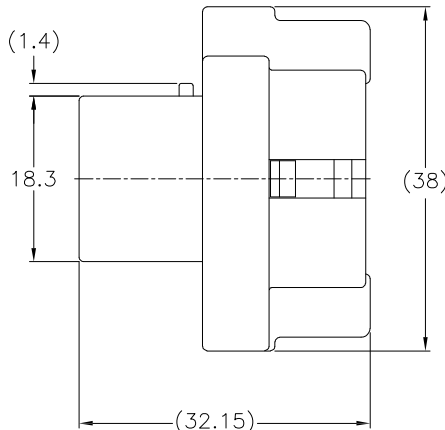
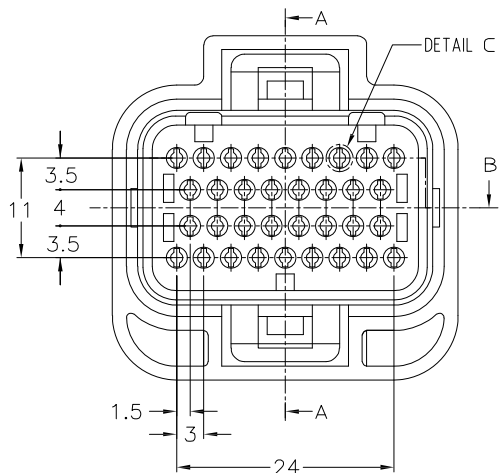
SECTION B-B



DETAIL C



SECTION A-A



△A03

△A02

△A01

MARK

REVISION DESCRIPTION

SIGNATURE

DATE

TOLERANCE

X.X ±0.30  
X.XX ±0.20  
X.XXX ±0.10  
Angle ±2°

TITLE:

Pitch 3.0  
Socket Housing  
H=38

UNIT:mm

SCALE:1:1

DRAWN:

LCC 2024.07.25

CHECKED:

APPROVED:

SHEET:1/1

PROJECTION

**KONNRA** 东莞市康瑞电子有限公司  
DongGuan Konnra Electronics Co.,Ltd.

PART NO.:H300400340501A

REV.:A01 DRAWING NO.:3004H001-A-S

1

2

3

4

5

6

7

8

9