

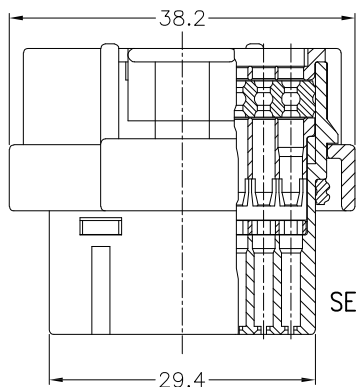
**RoHS**  
COMPLIANT

**SPECIFICATIONS**

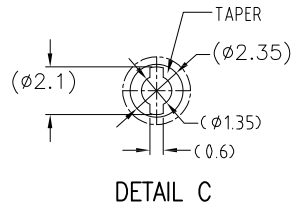
1. Current rating: 3A AC, DC
2. Voltage rating: 250V AC, DC
3. Temperature range: -40°C ~ +125°C
4. Insulation resistance: 100MΩ min.
5. Withstanding voltage: 1000V AC/ minute.
6. Contact resistance: 5mΩ max.

**Material:**

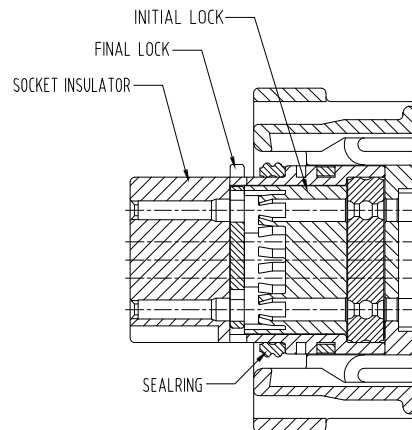
- Socket insulator: PBT UL 94V-0 Black
- Final lock: PBT UL 94V-0 White
- Initial lock: PBT UL 94V-0 Black
- Sealring: SILICON RUBBER RED BROWN



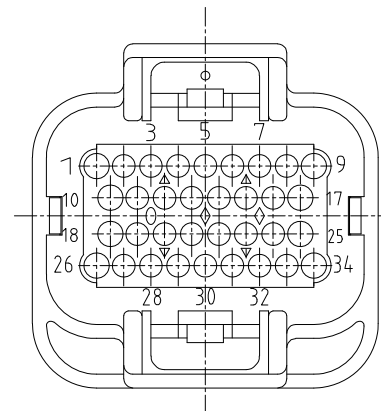
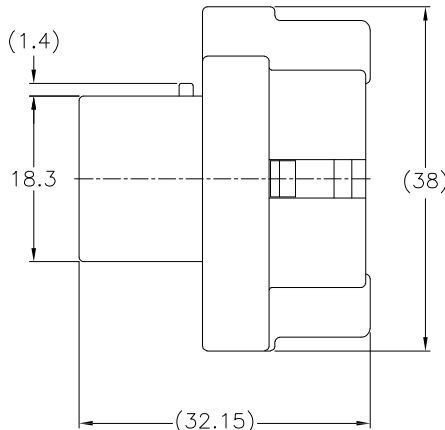
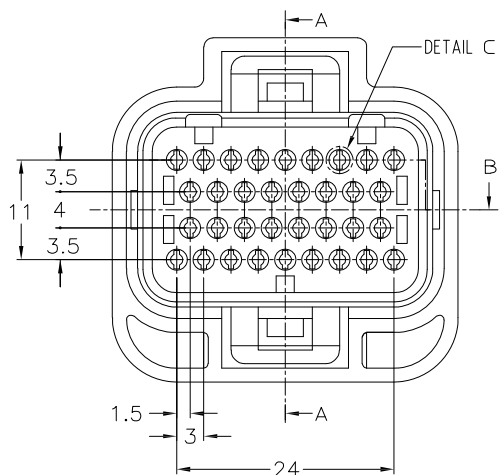
SECTION B-B



DETAIL C



SECTION A-A



△03

△02

△01

MARK

TOLERANCE

- X.X ±0.30
- X.XX ±0.20
- X.XXX ±0.10
- Angle ±2°

TITLE:

Pitch 3.0  
Socket Housing  
H=38

UNIT:mm

SCALE:1:1

DRAWN:

LCC 2024.07.25

CHECKED:

APPROVED:

SHEET:1/1

PROJECTION

**KONNRA** 东莞市康瑞电子有限公司

DongGuan Konnra Electronics Co.,Ltd.

PART NO.:H300400340501A

REV.:A01

DRAWING NO.:3004H001-A-S

1

2

3

4

5

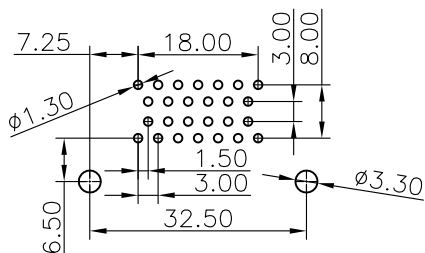
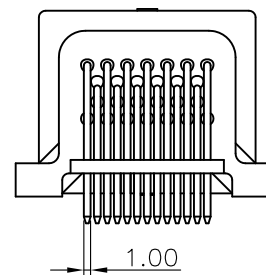
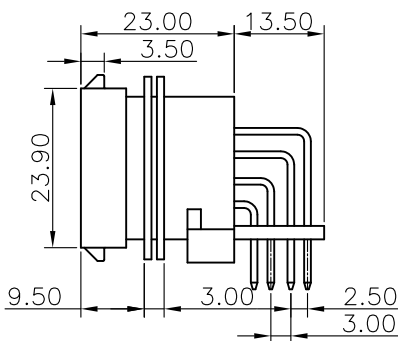
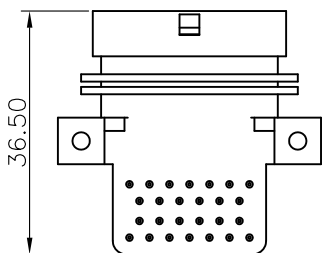
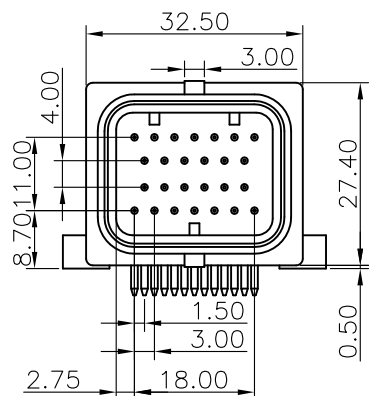
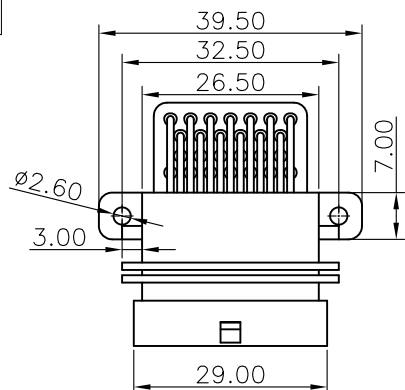
6

7

8

9

**RoHS**  
COMPLIANT



Recommended P.C.B. Layout

**SPECIFICATIONS**

1. Current rating: 3A AC, DC
  2. Voltage rating: 250V AC, DC
  3. Temperature range: -40°C ~ +125°C
  4. Insulation resistance: 100MΩ min.
  5. Withstanding voltage: 1000V AC/minute.
  6. Contact resistance: 5mΩ max.
- Material: PBT UL 94V-0 Black  
Contact: Brass  
Plating: Tin plated over Nickel

△A03

△A02

△A01

MARK

TOLERANCE

- X.X ±0.30
- X.XX ±0.20
- X.XXX ±0.10
- Angle ±2°

TITLE:  
Pitch 3.0  
Pin Connector

UNIT:mm SCALE:N/A

DRAWN: *LCC 2024.07.26*

CHECKED:

APPROVED:

SHEET: 1/1 PROJECTION

**KONNRA** 东莞市康瑞电子有限公司  
DongGuan Konnra Electronics Co.,Ltd.

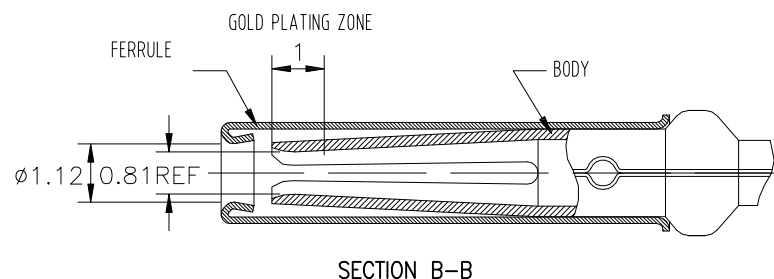
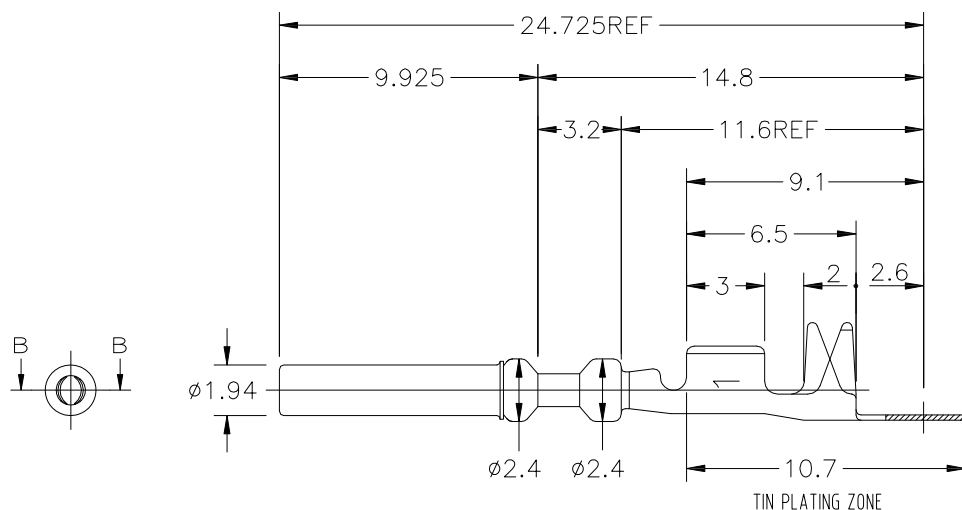
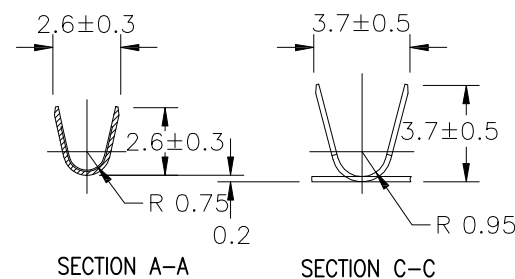
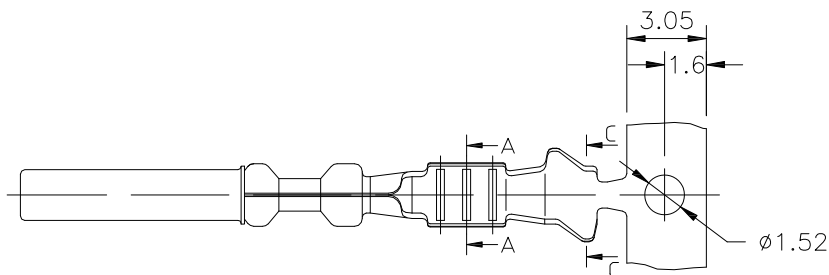
PART NO.: C3004RD03405T0101BA

REV.: A01 DRAWING NO.: 3004WFRD001-A-S

**RoHS**  
COMPLIANT

**SPECIFICATIONS**

- 1. Current rating: 3A AC, DC
  - 2. Voltage rating: 250V AC, DC
  - 3. Temperature range: -40°C ~ +125°C
  - 4. Insulation resistance: 100MΩ min.
  - 5. Withstanding voltage: 1000V AC/ minute.
  - 6. Contact resistance: 5mΩ max.
- Material: PBT UL 94V-0 Black  
Contact: Copper alloy  
Plating: Tin plated over Nickel



△A03

△A02

△A01

TOLERANCE  
X.X ±0.30  
X.XX ±0.20  
X.XXX ±0.10  
Angle ±2°

TITLE:  
Pitch 3.0  
Socket Connector

DRAWN: LCC 2024.07.25

CHECKED:

APPROVED:

**KONNRA** 东莞市康瑞电子有限公司  
DongGuan Konnra Electronics Co.,Ltd.

PART NO.: T30040CT0101A

MARK	REVISION DESCRIPTION	SIGNATURE	DATE	UNIT:mm	SCALE:1:1	SHEET:1/1	PROJECTION	REV.:A01	DRAWING NO.:3004T001-A-S
------	----------------------	-----------	------	---------	-----------	-----------	------------	----------	--------------------------

1 2 3 4 5 6 7 8 9