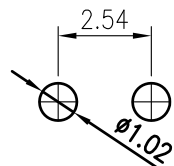
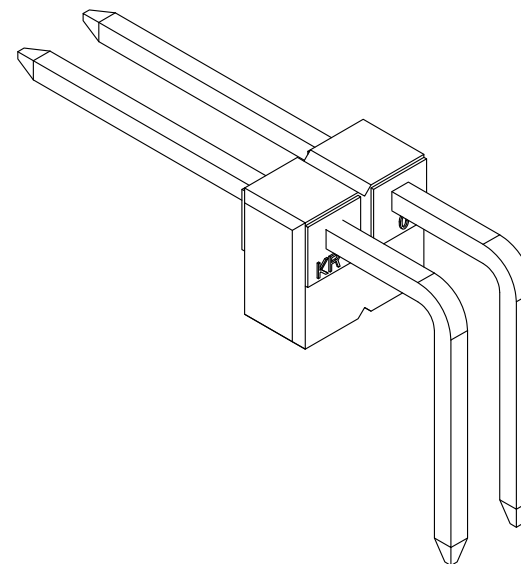
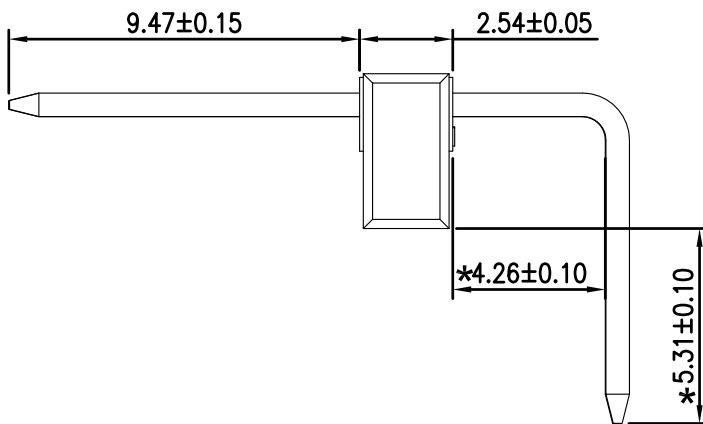
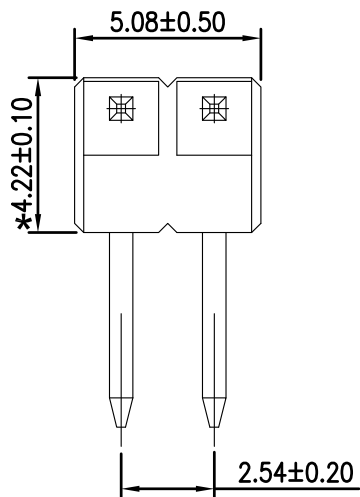


**RoHS**  
COMPLIANT

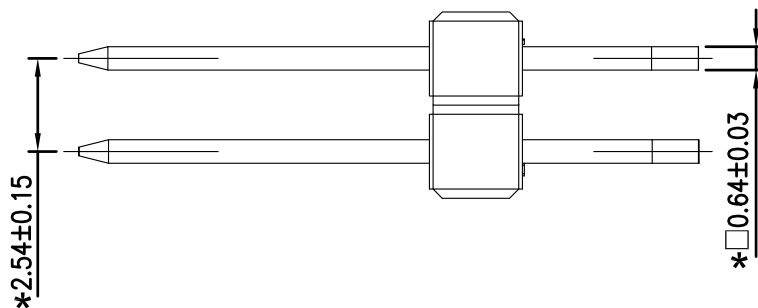
**SPECIFICATIONS**

1. Current rating: 3A AC, DC
2. Voltage rating: 250V AC, DC
3. Insulation resistance: 1000MΩ/ min.
4. Material:  
Insulator: PA9T UL 94V-0  
Contact: H65
5. Plating: Bright Tin plated over Nickel
6. Single needle retention: 8N Min
7. Salt spray requirements: 48H
8. Environmental requirement: Passing the high temperature of 280°C±5°C for 5 seconds.

Marked "\*" is the key control size



Recommended P.C.B. Layout  
Total tolerance: ±0.05mm



F	△A03				TOLERANCE	TITLE:	DRAWN: 7/7 2023.10.20	KONNRA 东莞市康瑞电子有限公司		
	△A02				X.X ±0.30	SA3F 2P DIP 90°	CHECKED:	DongGuan Konnra Electronics Co.,Ltd.		
	△A01	NEW DWG	TYF	2023.10.20	X.XX ±0.20	Wafer	APPROVED:	PART NO.: C2552RD10212T0101BA		
	MARK	REVISION DESCRIPTION	SIGNATURE	DATE	X.XXX ±0.10	UNIT:mm	SCALE:N/A	SHEET:1/1	PROJECTION	REV.:A01
	1	2	3	4	5	6	7	8	9	