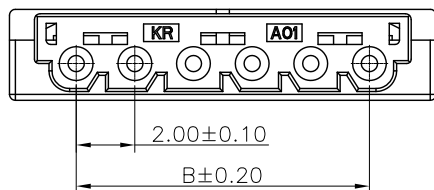
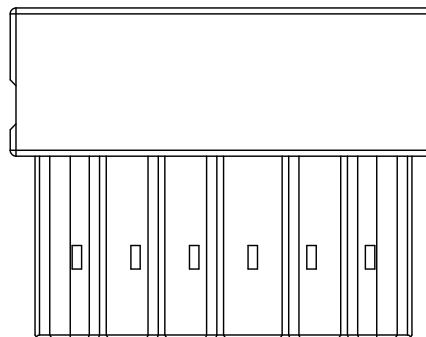
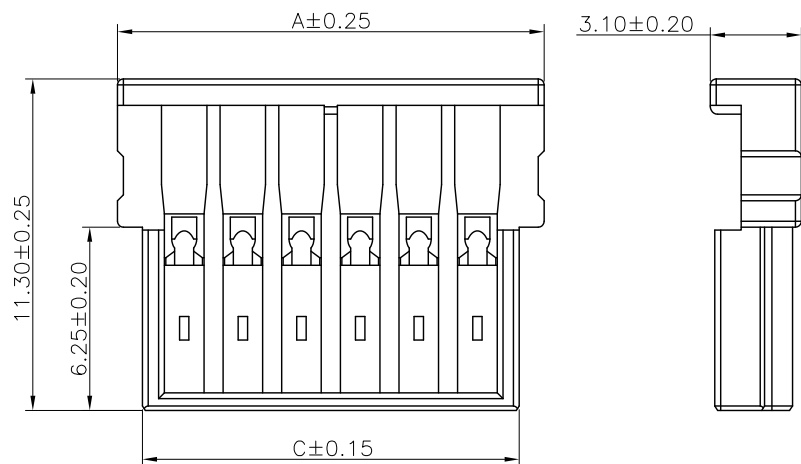
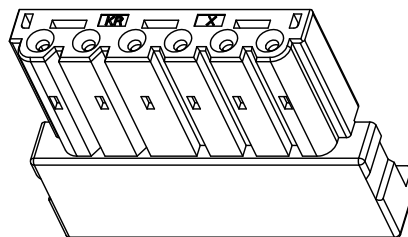
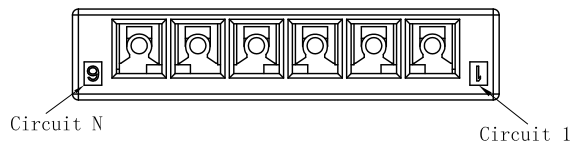


RoHS
COMPLIANT



SPECIFICATIONS

1. Current rating: 5A AC, DC
2. Voltage rating: 100V AC, DC
3. Temperature range: -40°C ~ +125°C
4. Insulation resistance: 100MΩ/ min.
5. Withstanding voltage: 1000V AC/ minute.
6. Contact resistance: 15mΩ/ max.

Material: Nylon 66 UL 94V-0
 Suitable: KR2023 series Terminal
 Suitable: KR2023 series TPA
 Mates With KR2023 Series Wafer

Ordering Code:

H20230 *** 02 01 A
 106:6P
 02:PA66 Black

Circuits	Dimensions		
	A	B	C
2	/	/	/
4	10.55	6.00	8.85
6	14.55	10.00	12.85
8	/	/	/
10	/	/	/

TOLERANCE
 X.X ±0.30
 X.XX ±0.20
 X.XXX ±0.10
 Angle ±2°

TITLE:
 ULH 2.0 HOUSING

DRAWN: *ZZK 2023.12.05*

CHECKED:

APPROVED:

KONNRA 东莞市康瑞电子有限公司
 DongGuan Konnra Electronics Co.,Ltd.

PART NO.: H202301****01A



设计初版

ZZK

23.12.05

MARK

REVISION DESCRIPTION

SIGNATURE

DATE

UNIT:mm SCALE:1:1

SHEET:1/1

PROJECTION

REV.:A01

DRAWING NO.:2023H101-A-S

1

2

3

4

5

6

7

8

9

RoHS
COMPLIANT

SPECIFICATIONS

1. Current rating: 5A AC, DC
2. Voltage rating: 100V AC, DC
3. Temperature range: -40°C ~ +125°C
4. Insulation resistance: 100MΩ/ min.
5. Withstanding voltage: 1000V AC/ minute.
6. Contact resistance: 15mΩ/ max.

Material:

Insulator: Nylon 66 UL 94V-0

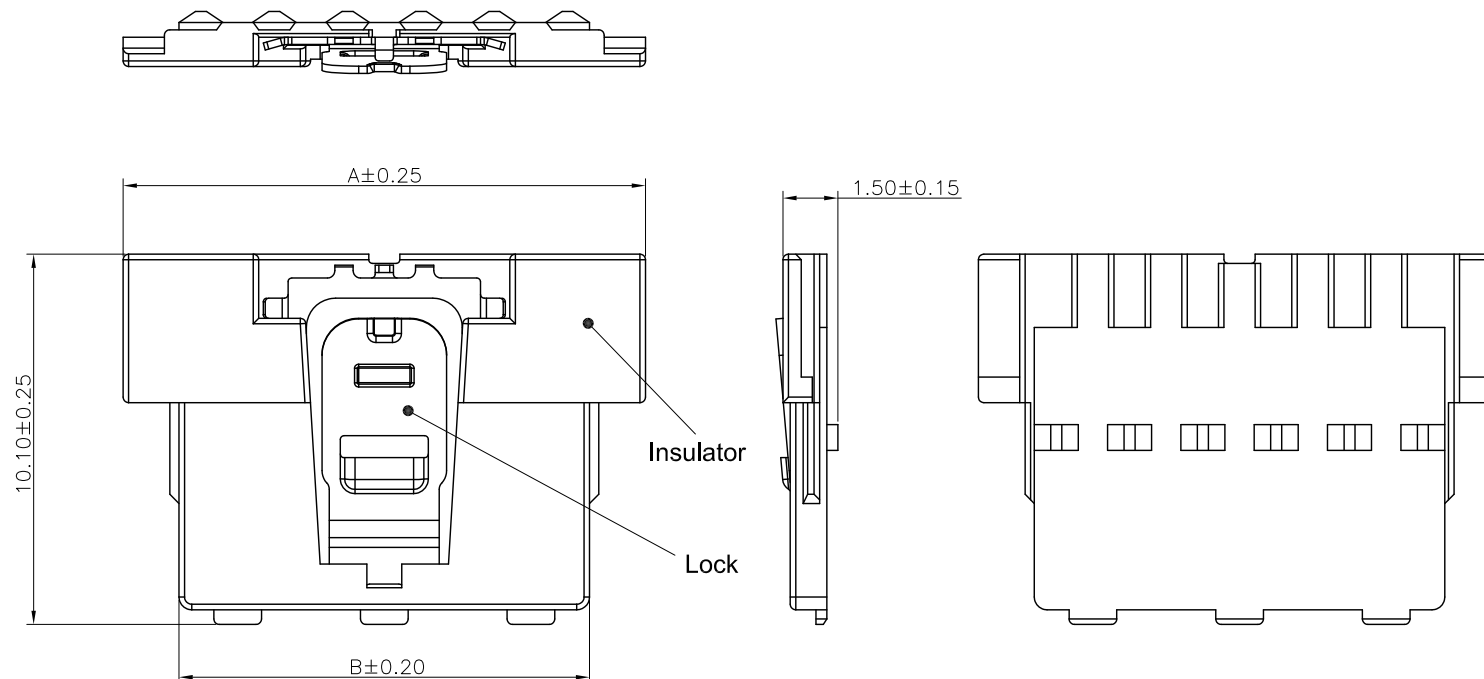
Lock: Stainless

Suitable: KR2023 series Housing

Ordering Code:

H20230 *** 02 11 A

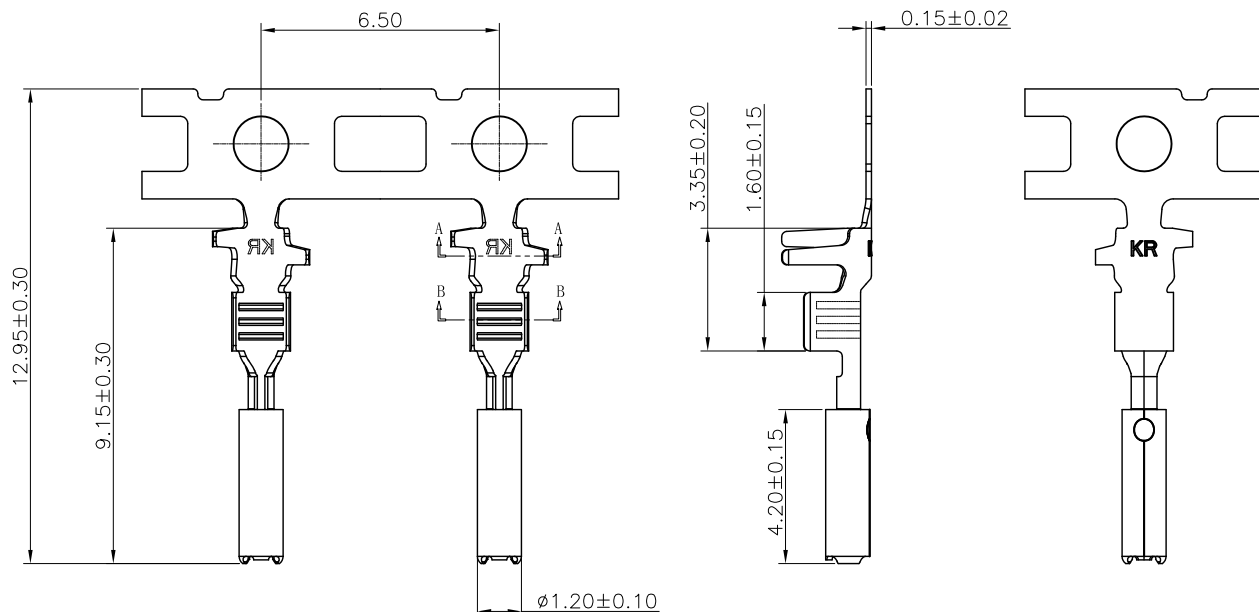
106:6P



Circuits	Dimensions	
	A	B
2	/	/
4	10.25	7.00
6	14.25	11.20
8	/	/
10	/	/

				TOLERANCE	TITLE:		DRAWN: <i>zzk 2023.12.05</i>		KONNRA 东莞市康瑞电子有限公司	
				X.X ±0.30	ULH 2.0 TPA		CHECKED:		DongGuan Konnra Electronics Co.,Ltd.	
				X.XX ±0.20			APPROVED:		PART NO.: H202301****11A	
				X.XXX ±0.10			SHEET: 1/1		REV.: A01	
				Angle ±2°	UNIT: mm		SCALE: 1:1		DRAWING NO.: 2023H111-A-S	
△A01	设计初版	zzk	23.12.05							
MARK	REVISION DESCRIPTION	SIGNATURE	DATE							

RoHS
COMPLIANT



SPECIFICATIONS

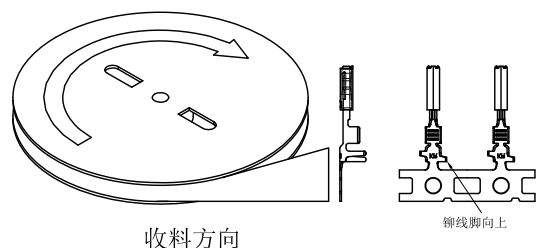
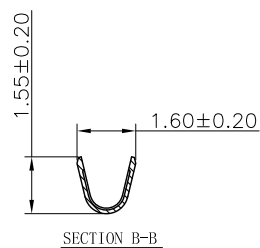
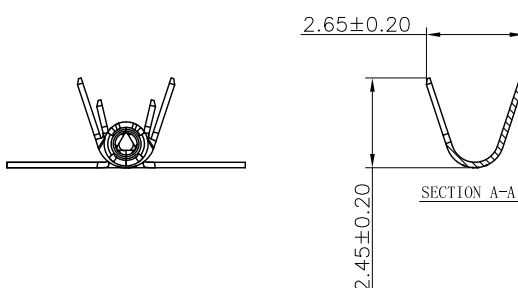
1. Current rating: 5A AC, DC
2. Voltage rating: 100V AC, DC
3. Temperature range: -40°C ~ +125°C
4. Insulation resistance: 100MΩ/ min.
5. Withstanding voltage: 1000V AC/ minute.
6. Contact resistance: 15mΩ/ max.

Material: Copper alloy / Tin plated over nickel
 Applicable wires: 0.30mm², 0.35mm²
 Insulation O.D 1.5mm Max.

Suitable KR2023 series Housing

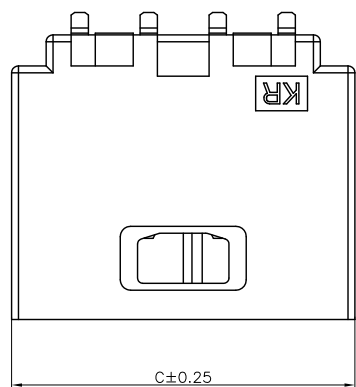
Ordering Code:

T20230 0 T01 01 A
 T01: 镀亮锡

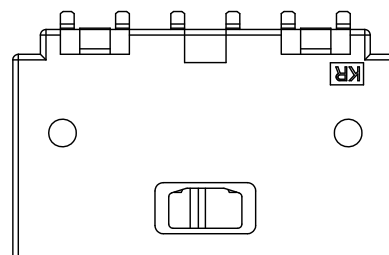
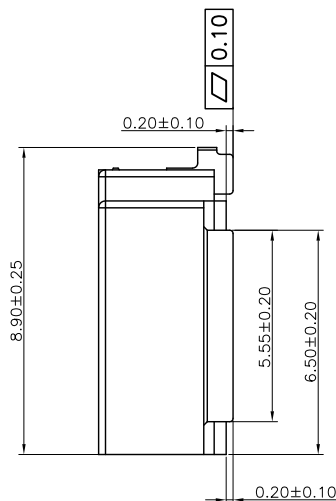


MARK	REVISION DESCRIPTION	SIGNATURE	DATE	TOLERANCE	TITLE:	DRAWN: <i>ZZK 2023.12.05</i>	KONNRA 东莞市康瑞电子有限公司 DongGuan Konnra Electronics Co.,Ltd.			
				X.X ±0.30				ULH 2.0 Terminal	CHECKED:	
	设计初版	ZZK	23. 12. 05	X.XX ±0.20		APPROVED:	PART NO.: T202300***01A			
				X.XXX ±0.10						
				Angle ±2°	UNIT:mm	SCALE:1:1	SHEET:1/1	PROJECTION	REV.:A01	DRAWING NO.:2023T01-A-S

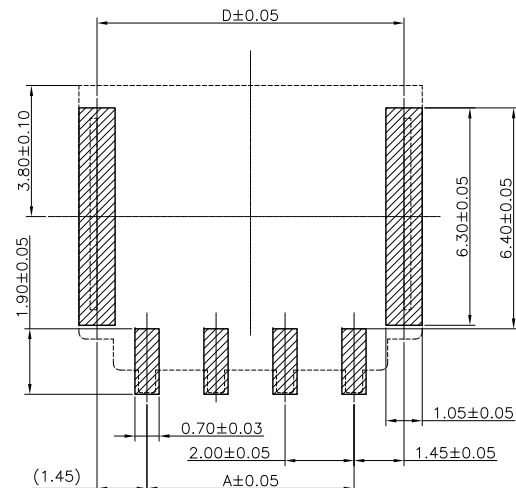
RoHS
COMPLIANT



4P

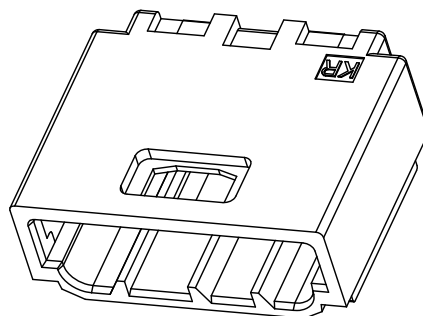
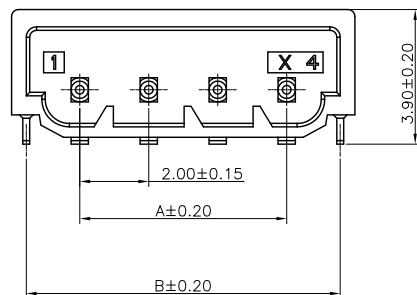


6P(SCALE 0.8:1)



P.C.B. LAYOUT

Circuits	A	B	C	D
4P	6.00	9.10	9.95	8.90
6P	10.00	13.10	13.95	12.90



SPECIFICATIONS

1. Current rating: 5A AC, DC
2. Voltage rating: 100V AC, DC
3. Temperature range: -40°C ~ +125°C
4. Insulation resistance: 100MΩ/ min.
5. Withstanding voltage: 1000V AC/ minute.
6. Contact resistance: 15mΩ/ max.

Ordering Code:

C2023RS 104 12 T0101 R A
 104=4P 12:PA9T 黑色 R: 卷装

				TOLERANCE	TITLE:		DRAWN: <i>ZZK 2023.10.23</i>	KONNRA 东莞市康瑞电子有限公司	
				X.X ±0.30	ULH 2.0 SMT Wafer		CHECKED:	DongGuan Konnra Electronics Co.,Ltd.	
				X.XX ±0.20			APPROVED:	PART NO.: C2023RS1*****01RA	
				X.XXX ±0.10			SHEET: 1/1	PROJECTION	REV.: X01
				Angle ±2°	UNIT: mm	SCALE: 1:1	DRAWING NO.: 2023WRS101-A-S		
MARK	REVISION DESCRIPTION	SIGNATURE	DATE						