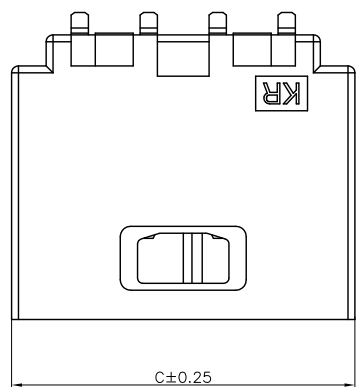
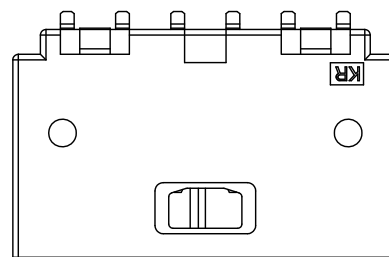
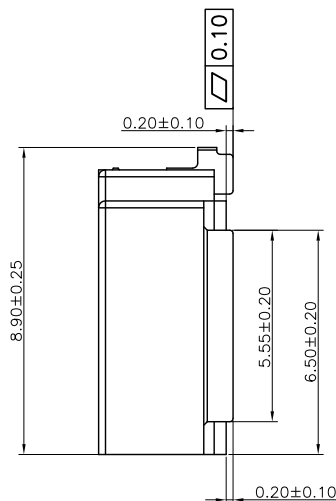


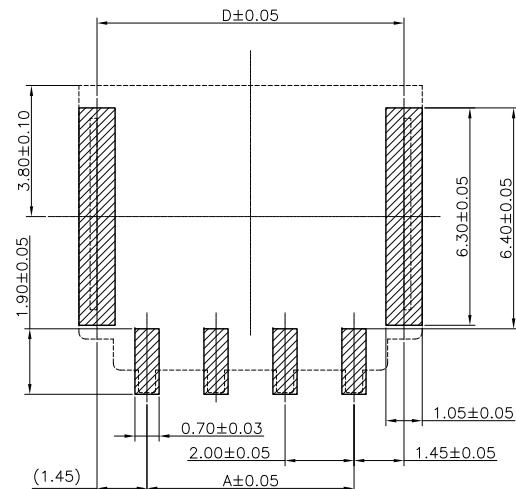
RoHS  
COMPLIANT



4P

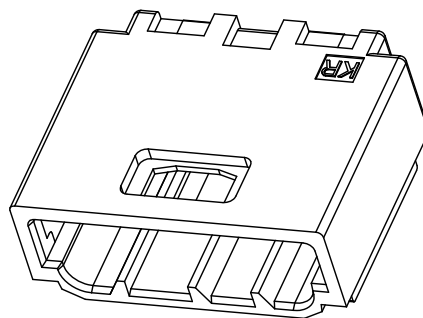
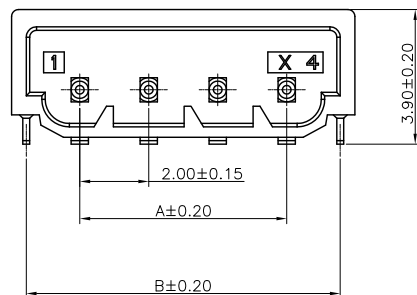


6P(SCALE 0.8:1)



P.C.B. LAYOUT

Circuits	A	B	C	D
4P	6.00	9.10	9.95	8.90
6P	10.00	13.10	13.95	12.90



SPECIFICATIONS

1. Current rating: 5A AC, DC
2. Voltage rating: 100V AC, DC
3. Temperature range: -40°C ~ +125°C
4. Insulation resistance: 100MΩ/ min.
5. Withstanding voltage: 1000V AC/ minute.
6. Contact resistance: 15mΩ/ max.

Ordering Code:

C2023RS 104 12 T0101 R A

104=4P

R: 卷装

12:PA9T 黑色

TOLERANCE  
X.X ±0.30  
X.XX ±0.20  
X.XXX ±0.10  
Angle ±2°

TITLE:  
ULH 2.0 SMT Wafer

DRAWN: *ZZK 2023.10.23*

KONNRA 东莞市康瑞电子有限公司  
DongGuan Konnra Electronics Co.,Ltd.

CHECKED:

APPROVED:

PART NO.: C2023RS1\*\*\*\*\*01RA



设计初版

ZZK

23. 10. 23

MARK

REVISION DESCRIPTION

SIGNATURE

DATE

UNIT:mm

SCALE:1:1

SHEET:1/1

PROJECTION

REV.:X01

DRAWING NO.:2023WRS101-A-S

1

2

3

4

5

6

7

8

9