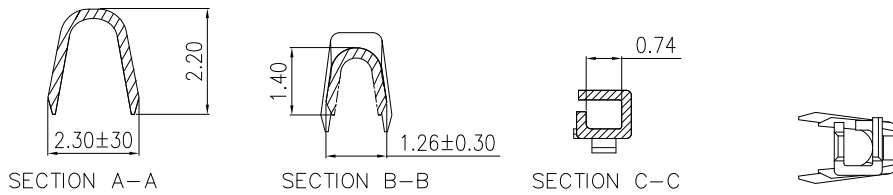
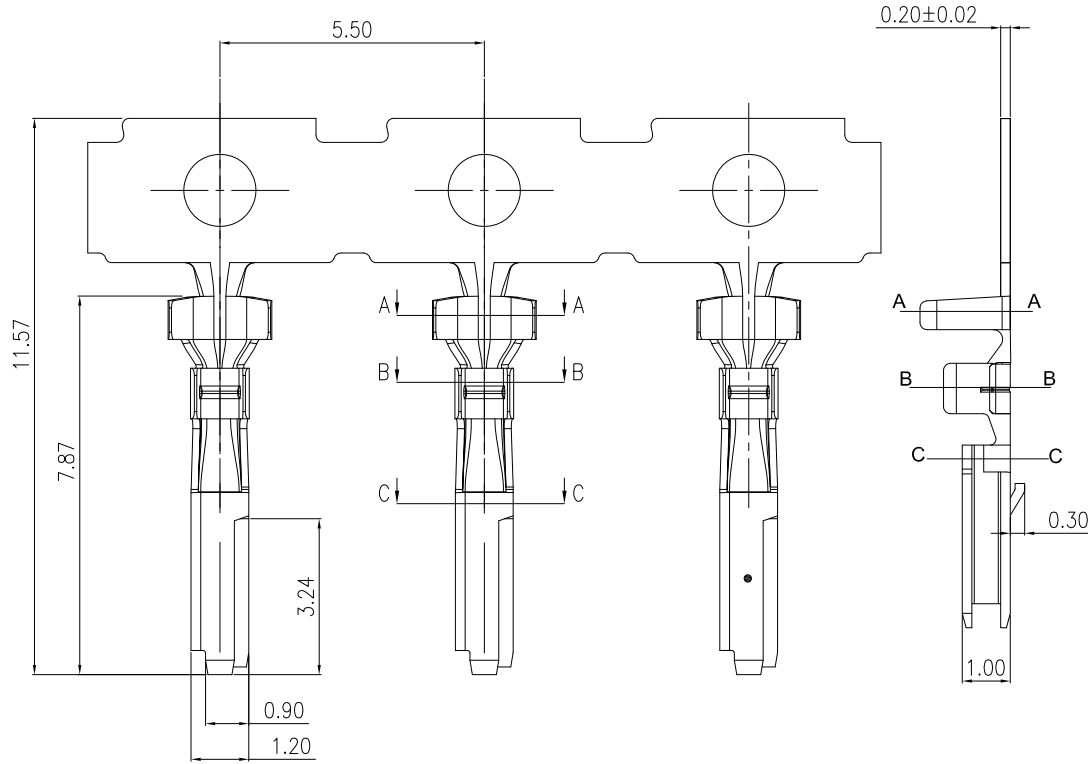


RoHS
COMPLIANT



SPECIFICATIONS

1. Current rating: 3A (AWG #24)AC, DC
2. Voltage rating: 100V AC,DC
3. Temperature range: -40°C ~ +125°C
4. Insulation resistance:500MΩ Min.
5. Withstanding voltage: 500V AC/ minute.
6. Contact resistance: 25mΩ Max.

Material: Phosphor Bronze

Finish: TIN plated over Nickel

Applicable wires: AWG #24~#28

Insulation O.D 0.78~1.28 mm

Qty/reel: 10,000 PCS

F	△A03				TOLERANCE	TITLE:	DRAWN:	KONNRA 东莞市康瑞电子有限公司 DongGuan Konnra Electronics CO.,LTD		
	△A02				X.X ±0.30	MX1.5 Inner buckle	CHECKED:			
	△A01	NEW	LIU	2023.11.28	X.XX ±0.20	Terminal	APPROVED:	PART NO.:T15110PT0101A		
	LTR	REVISION DESCRIPTION	SIGNATURE	DATE	X.XXX ±0.10	UNIT:mm	SCALE:1/1	SHEET:1/1	PROJECTION	VER.:A01
	1	2	3	4	5	6	7	8	9	