

RoHS  
COMPLIANT

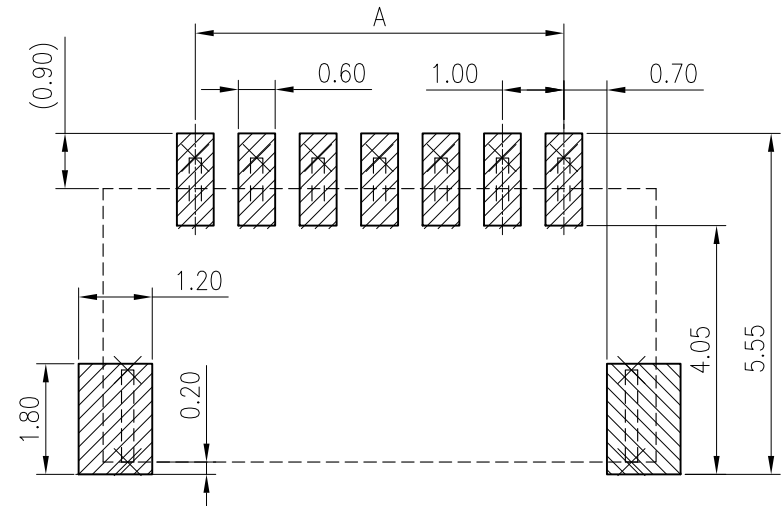
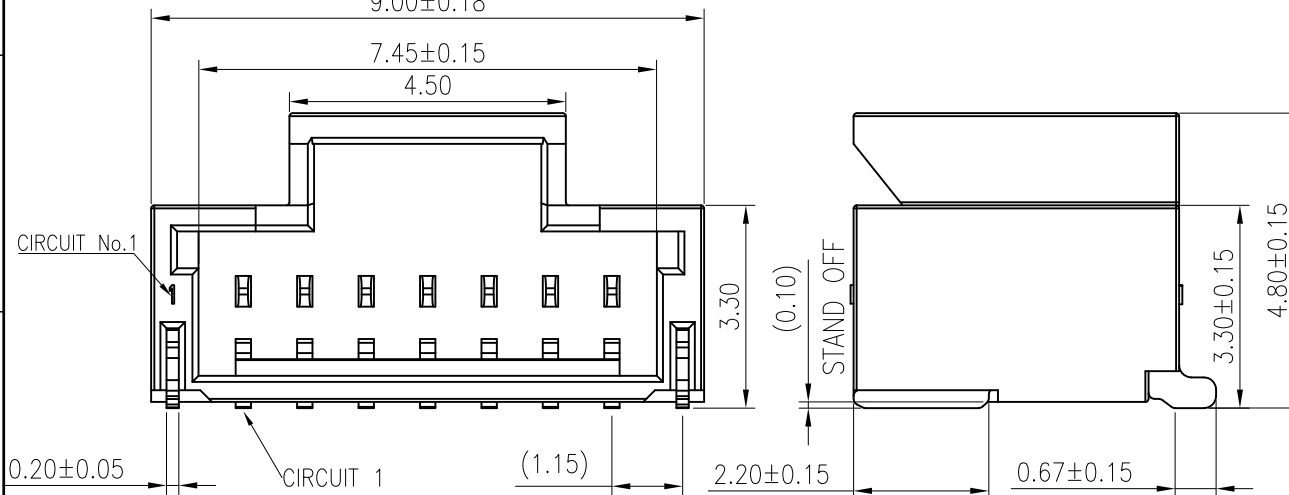
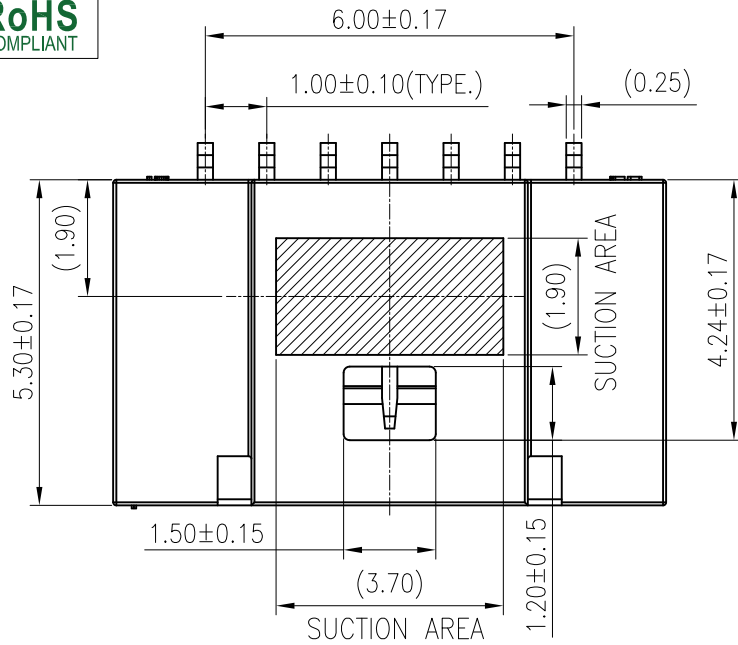
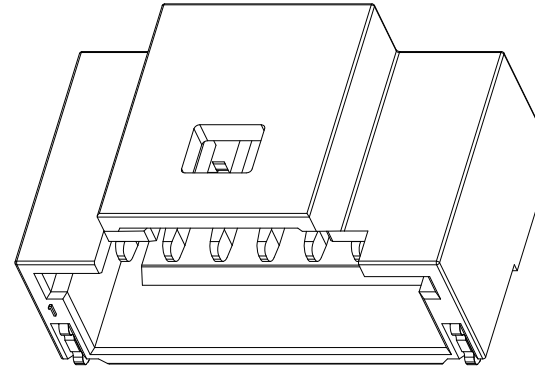
**SPECIFICATIONS**

1. Current rating: 1A AC, DC
2. Voltage rating: 100V AC,DC
3. Temperature range: -40°C ~ +125°C
4. Insulation resistance: 100MΩ Min.
5. ithstanding voltage: 500V AC/ minute.
6. Contact resistance: 20m Ω Max.

**Material:**

Insulator: PA9T UL 94V-0 Natural.  
Contact: Copper alloy  
Tin plated over Nickel  
Fitting Nail: Copper alloy  
Tin plated over Nickel

Circuits: 07Pin.



Recommended P.C.B. Layout  
Total tolerance:±0.05mm

|   |      |                      |           |            |                              |                       |                                      |           |            |          |
|---|------|----------------------|-----------|------------|------------------------------|-----------------------|--------------------------------------|-----------|------------|----------|
| F | △A03 |                      |           | TOLERANCE  | TITLE:                       | DRAWN: Liu 2023.11.22 | KONNRA 东莞市康瑞电子有限公司                   |           |            |          |
|   | △A02 |                      |           | X.X ±0.30  | WTB 1.0MM 90° SMT<br>7PIN WF | CHECKED:              | DongGuan Konnra Electronics Co.,Ltd. |           |            |          |
|   | △A01 | NEW                  | LIU       | X.XX ±0.20 |                              | APPROVED:             | PART NO.:C1012RS10711T0101RB         |           |            |          |
|   | MARK | REVISION DESCRIPTION | SIGNATURE | DATE       | X.XXX ±0.10                  | UNIT:mm               | SCALE:1/1                            | SHEET:1/1 | PROJECTION | REV.:A01 |
|   | 1    | 2                    | 3         | Angle ±2°  | 4                            | 5                     | 6                                    | 7         | 8          | 9        |