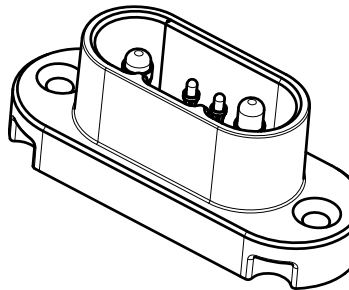
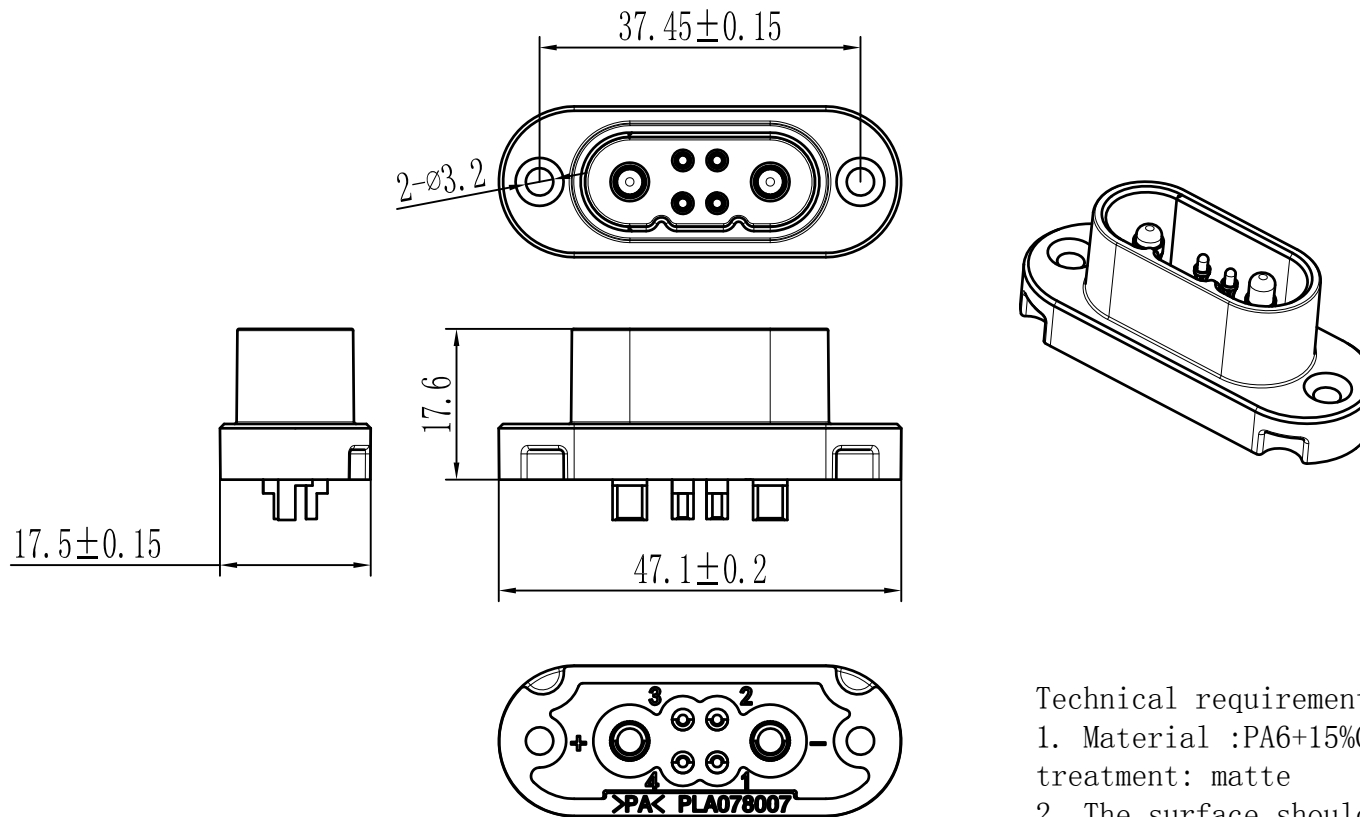


RoHS  
COMPLIANT



Technical requirements:

1. Material :PA6+15%GF, color: black, surface treatment: matte
2. The surface should have no damage, no obvious color difference, scratch, dent, flash
3. No dimensional tolerance is shown in the attached table
4. Products should be free from harmful substances and meet health and safety requirements
5. Compare sealing samples for other items not noted

F					TOLERANCE	TITLE: 放电公插组件 SSE-078 松下一号	DRAWN: ZSZ 2023.12.15		KONNRA 东莞市康瑞电子有限公司			
					X.X ±0.30		CHECKED:	DongGuan Konnra Electronics Co., Ltd.				
					X.XX ±0.20		APPROVED:	PART NO.: QZ000350				
					X.XXX ±0.10		UNIT: mm	SCALE: N/A	SHEET: 1/1	PROJECTION	REV.: A1	DRAWING NO.: QZ000350S
	MARK	REVISION DESCRIPTION	SIGNATURE	DATE	Angle ±2°							
	1	2	3	4	5	6	7	8	9			