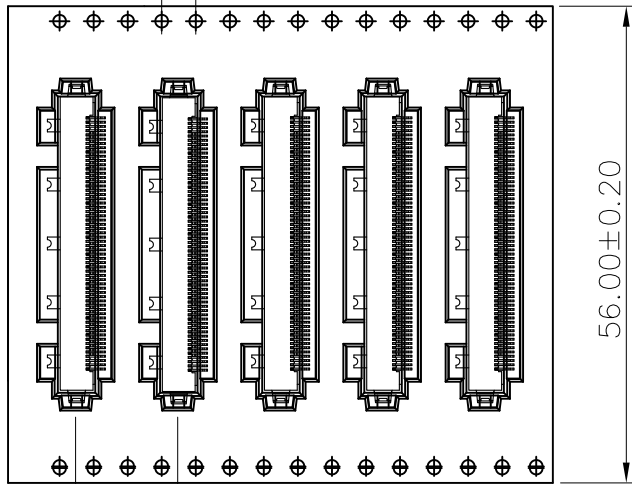


**RoHS**  
COMPLIANT

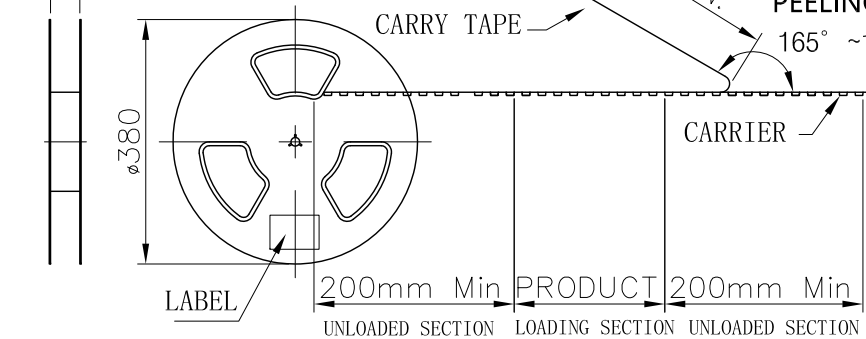
4.00±0.10



12.00±0.10

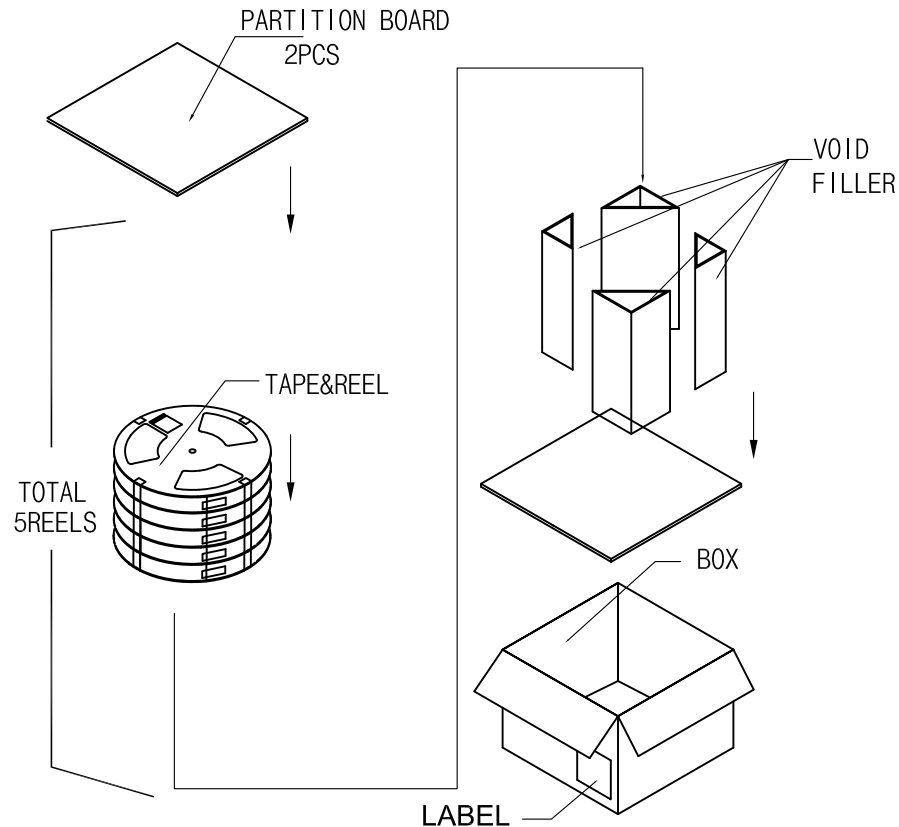
PULL OUT DIRECTION

56.4



38.0

200mm Min UNLOADED SECTION  
200mm Min LOADING SECTION  
200mm Min UNLOADED SECTION



1300	5	6500
REEL/PCS	REELS	PCS/BOX


TOLERANCE  
X.X ±0.30  
X.XX ±0.20  
X.XXX ±0.10  
Angle ±2°

TITLE:  
FPC BR60.2  
PACKING

DRAWN: LCC 2024.6.14  
CHECKED:  
APPROVED:

**KONNRA** 东莞市康瑞电子有限公司  
DongGuan Konnra Electronics Co.,Ltd.  
PART NO.: QZ000374

MARK	REVISION DESCRIPTION	SIGNATURE	DATE	UNIT:mm	SCALE:1:1	SHEET:3/3	PROJECTION	REV.:A01	DRAWING NO.:QZ000374-S
------	----------------------	-----------	------	---------	-----------	-----------	------------	----------	------------------------

1 2 3 4 5 6 7 8 9