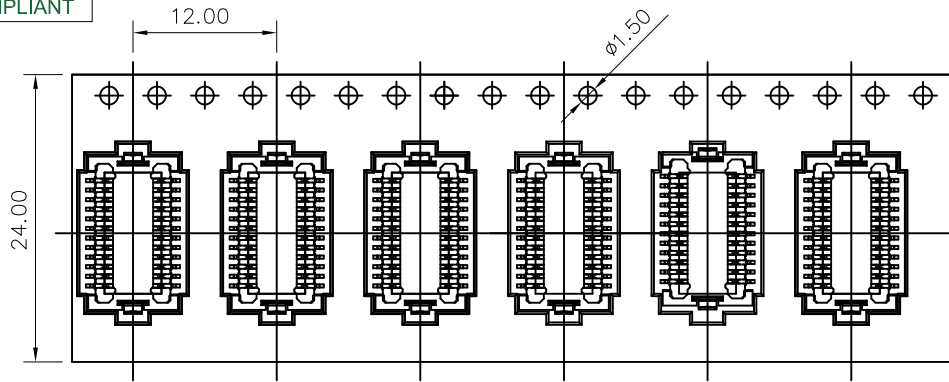
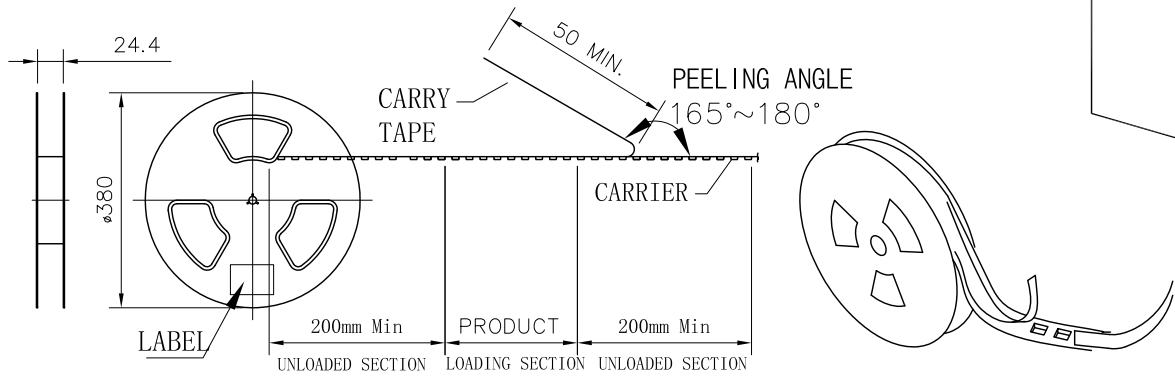
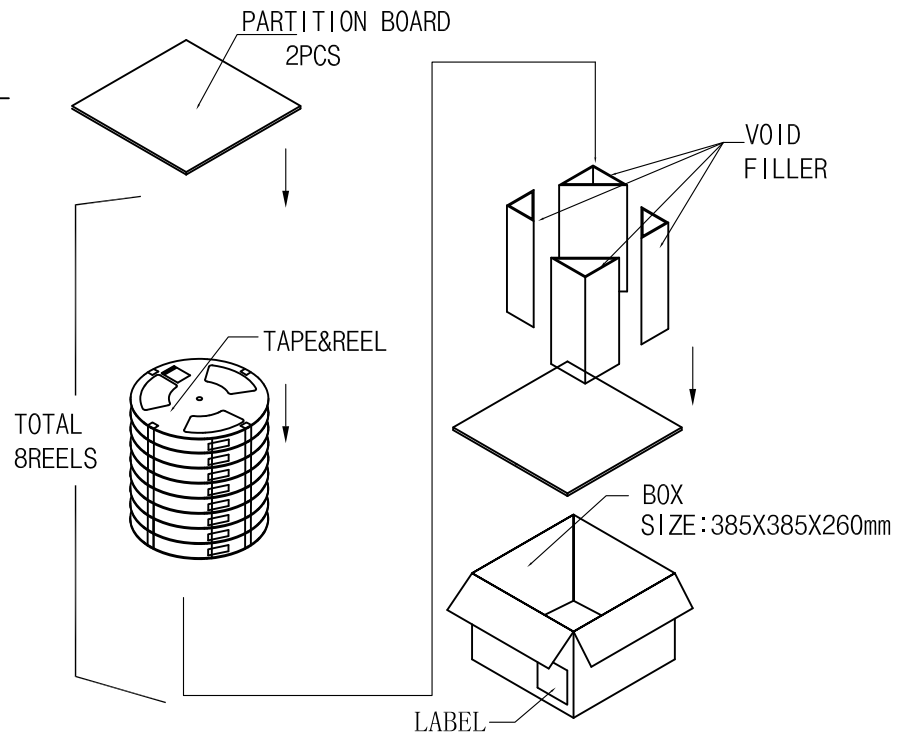


RoHS
COMPLIANT



PULL OUT DIRECTION



3000	8	24000
PCS/ REEL	REELS/ BOX	PCS/BOX

F					TOLERANCE	TITLE:	DRAWN:	KONNRA 东莞市康瑞电子有限公司 DongGuan Konnra Electronics Co.,Ltd.		
					X.X ±0.30	3SETS 24.1 REC	CHECKED:			
					X.XX ±0.20	PACKING	APPROVED:	PART NO.: QZ000373		
	MARK	REVISION DESCRIPTION	SIGNATURE	DATE	Angle ±2°	UNIT:mm	SCALE:1:1	SHEET:2/2	PROJECTION	REV.: A01
	1	2	3	4	5	6	7	8	9	