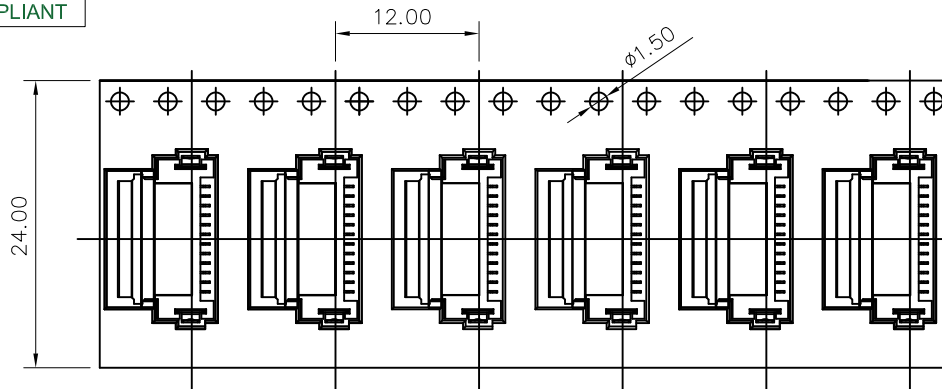
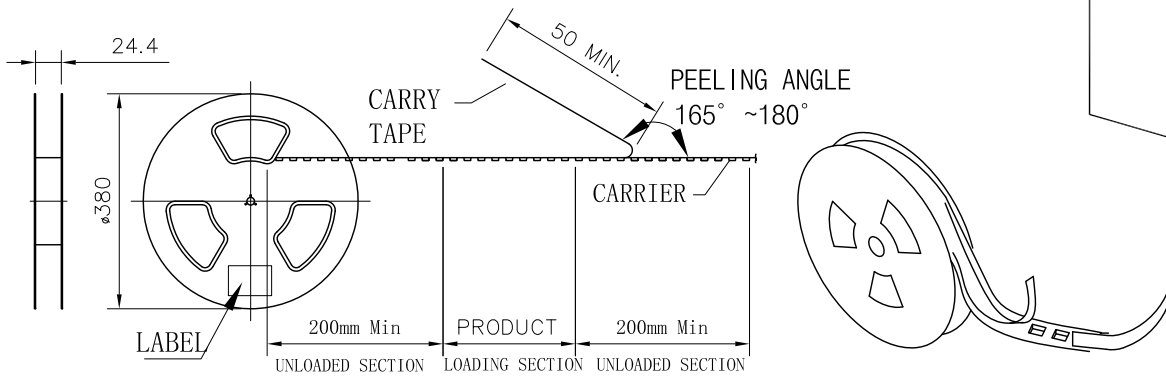
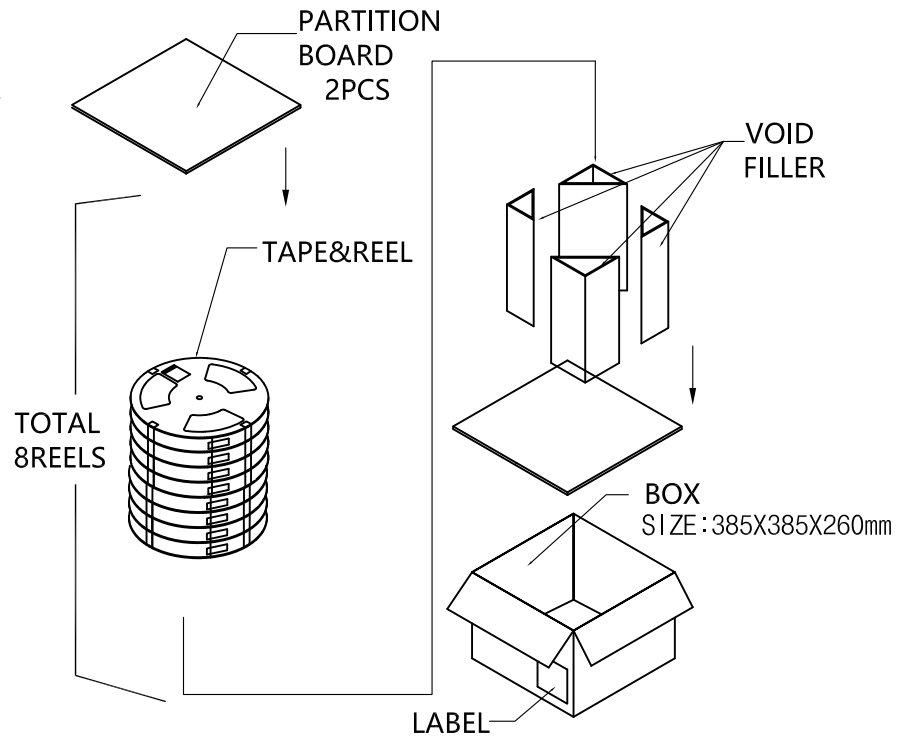


RoHS
COMPLIANT



PULL OUT DIRECTION



3000	8	24000
PCS/ REEL	REELS/ BOX	PCS/BOX

A03

A02

A01

MARK

REVISION DESCRIPTION

SIGNATURE

DATE

TOLERANCE

X.X ±0.30

X.XX ±0.20

X.XXX ±0.10

Angle ±2°

TITLE:

3SETS 12.1 PLUG
PACKING

UNIT:mm

SCALE:1:1

DRAWN: LCC 2024.06.13

CHECKED:

APPROVED:

SHEET:2/2

PROJECTION

KONNRA 东莞市康瑞电子有限公司
DongGuan Konnra Electronics Co.,Ltd.

PART NO.: QZ000372

REV.: A01 DRAWING NO.: QZ000372-S

1

2

3

4

5

6

7

8

9