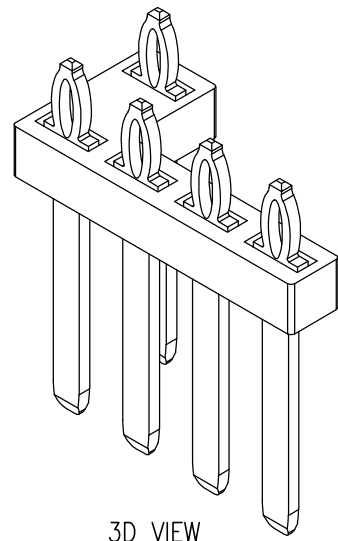
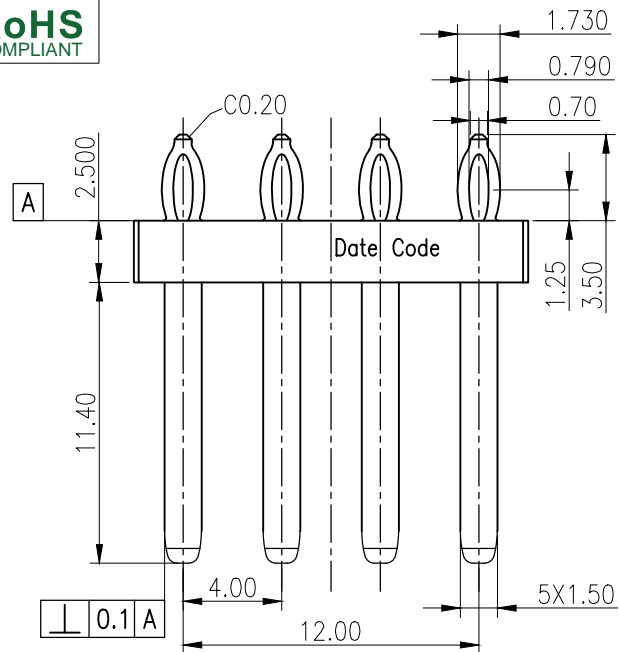
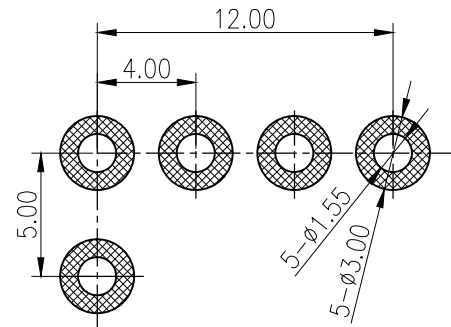
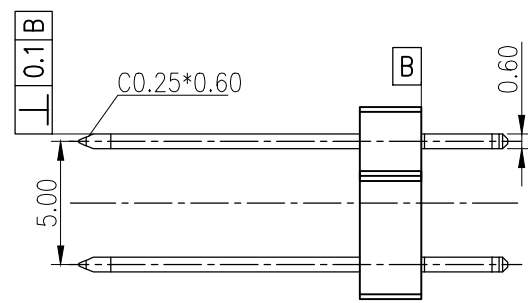
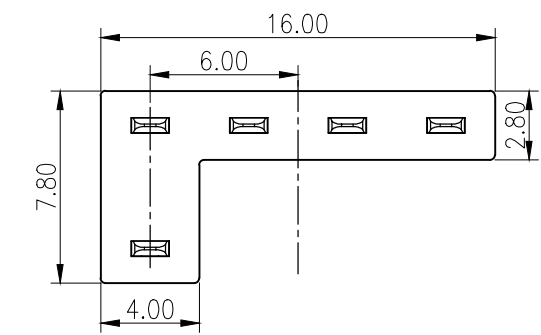


**RoHS**  
COMPLIANT



**SPECIFICATIONS**

1. Current rating: 3A AC, DC
  2. Temperature range: -20°C ~ +85°C
  3. Insulation resistance: 1000MΩ min.
  4. Withstanding voltage: 500V DC/ minute.
  5. Contact resistance: 20mΩ max.
- Material:
- Insulator: PBT 30% Fiber Glass  
UL 94V-0,Black
  - Contact: BRASS
  - Plating: Tin flash plated over Nickel



Recommended P.C.B. Layout  
Total tolerance: ±0.05mm

F	△A04				TOLERANCE	TITLE:	DRAWN: LCC 2024.06.12	KONNRA 东莞市康瑞电子有限公司 DongGuan Konnra Electronics Co.,Ltd.		
	△A03				X.X ±0.30	PITCH 4.0 PRESS-FIT	CHECKED:			
	△A02				X.XX ±0.20	TYPE PIN HEADER	APPROVED:	PART NO.: QZ000371		
	MARK	REVISION DESCRIPTION	SIGNATURE	DATE	X.XXX ±0.10	UNIT:mm	SCALE: 1:1	SHEET: 1/2	PROJECTION	REV.: A01
	1	2	3	4	5	6	7	8	9	