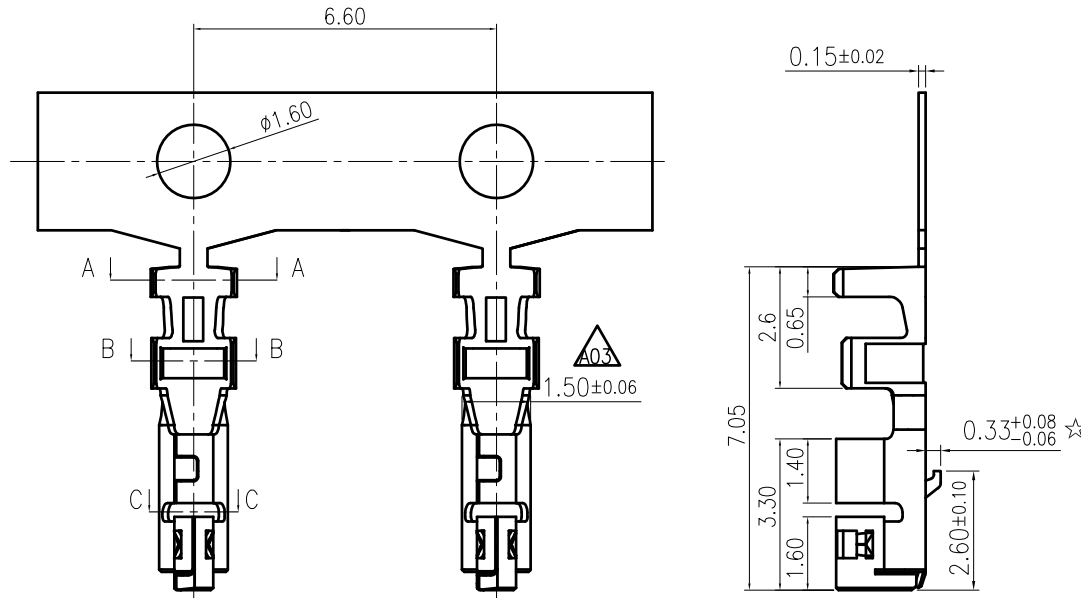


**RoHS**  
COMPLIANT



**SPECIFICATIONS**

1. Current rating: 3A(22AWG,0.35mm<sup>2</sup>) AC, DC
2. Voltage rating: 125V AC,DC
3. Temperature range: -40°C ~ +125°C
4. Insulation resistance:1000 MΩ Min.
5. Withstanding voltage: 500V AC/ minute.
6. Contact resistance: 10mΩ Max.

**Applicable Wires:**

AWG#22,0.35mm<sup>2</sup>  $\triangle A04$

Insulation O.D. : 1.40mm MAX

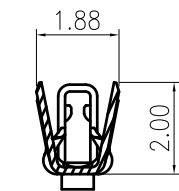
Material: Phosphor Bronze

Plating: Tin plated(100u' min.) over nickel(50u' min.)

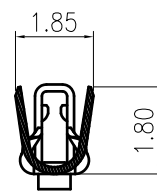
Suitable KR2017 Series housing

Q'ty/Reel: 10,000 PCS

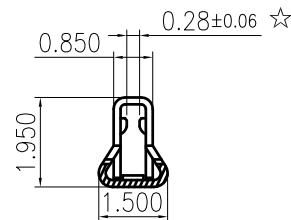
Cpk dimension marked with "☆"



SECTION A-A



SECTION B-B



SECTION C-C



$\triangle A04$	Updated riveted wire specifications	Arvin	2024.02.28	<b>TOLERANCE</b> X.X ±0.30 X.XX ±0.20 X.XXX ±0.10 Angle ±2°	<b>TITLE:</b> MX2.0 Inner buckle Terminal	<b>DRAWN:</b> Arvin 2024.02.28	<b>KONNRA</b> 东莞市康瑞电子有限公司 DongGuan Konnra Electronics Co.,Ltd.
$\triangle A03$	Add dimensions	Arvin	2022.09.27			<b>CHECKED:</b>	
$\triangle A02$	Uniformly arrange the drawings	ZSZ	2021.09.17			<b>APPROVED:</b>	
MARK	REVISION DESCRIPTION	SIGNATURE	DATE			UNIT:mm SCALE:N/A SHEET:1/1 PROJECTION  REV.:A04 DRAWING NO.:2017T101-A-S	