

RoHS
COMPLIANT

SPECIFICATIONS

1. Current rating: 3A AC, DC
2. Voltage rating: 125V AC,DC
3. Temperature range: -40°C ~ +125°C
4. Insulation resistance:1000 MΩ Min.
5. Withstanding voltage: 500V AC/ minute.
6. Contact resistance: 10mΩ Max.

Material:


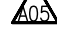
Insulator: PA9T UL 94V-0
Contact: Phosphor bronze
Solder tabs: Brass



Plating: Matte-tin (100u' min.) over nickel(50u" min.)
Mate with KR2017 series housing

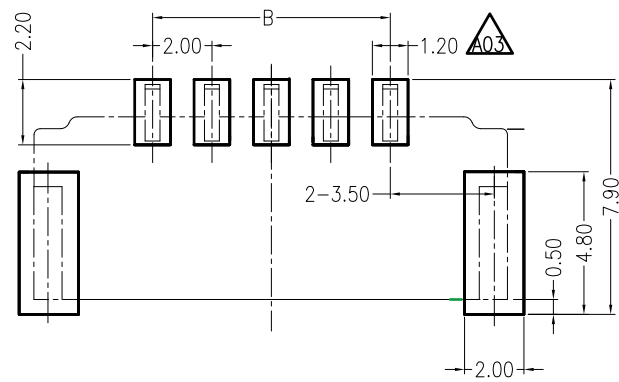
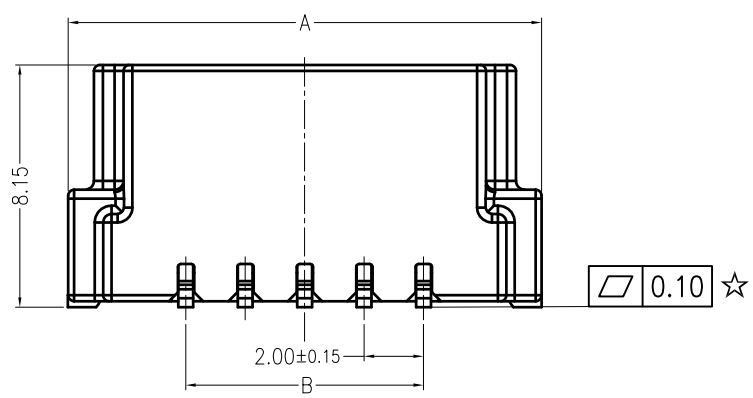
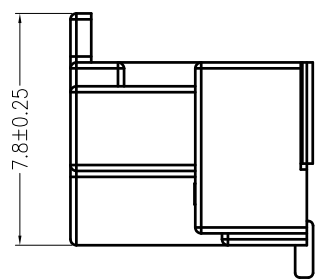
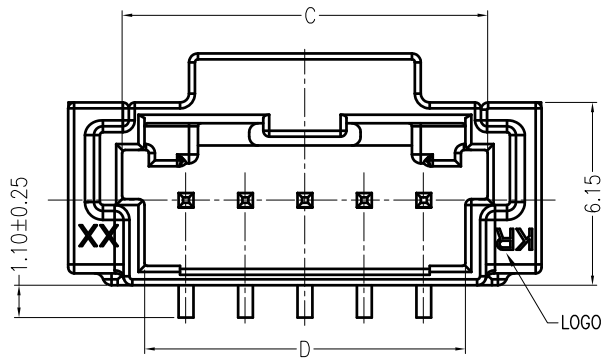
Cpk dimension marked with "☆"

Ordering Code:





C2017VS *** ** M0101RA

└ 11:PA9T Natural 
└ 12:PA9T Black 
No.of Circuits
102 : 2 ... 116,16

	16	37.90	30.00	34.30	32.80
	15	35.90	28.00	32.30	30.80
	14	33.90	26.00	30.30	28.80
	13	31.90	24.00	28.30	26.80
	12	29.90	22.00	26.30	24.80
	11	27.90	20.00	24.30	22.80
	10	25.90	18.00	22.30	20.80
	9	23.90	16.00	20.30	18.80
	8	21.90	14.00	18.30	16.80
	7	19.90	12.00	16.30	14.80
	6	17.90	10.00	14.30	12.80
	5	15.90	8.00	12.30	10.80
	4	13.90	6.00	10.30	8.80
	3	11.90	4.00	8.30	6.80
	2	9.90	2.00	6.30	4.80
	Circuits	A	B	C	D



Recommended P.C.B. Layout
General tolerance:±0.05mm

F		Add 13P&15P&16P	Arvin	2024.02.28	TOLERANCE X.X ±0.30 X.XX ±0.20 X.XXX ±0.10 Angle ±2°	TITLE: MX2.0 Inner buckle SMT 180° Wafer	DRAWN: Arvin 2024.02.28		KONNRA 东莞市康瑞电子有限公司 DongGuan Konnra Electronics Co.,Ltd.	
		Add specification	ZSZ	2023.06.05			CHECKED:			
		Add 14P	ZZN	2023.04.19			APPROVED:			
MARK	REVISION DESCRIPTION	SIGNATURE	DATE	UNIT:mm	SCALE:N/A	SHEET:1/1	PROJECTION 	REV.:A06	DRAWING NO.:2017WVS101-A-S	