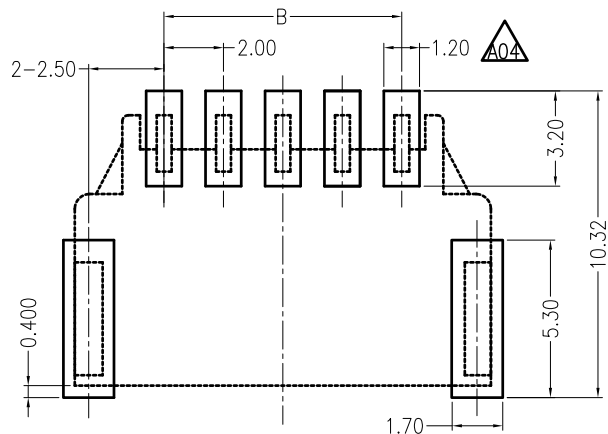
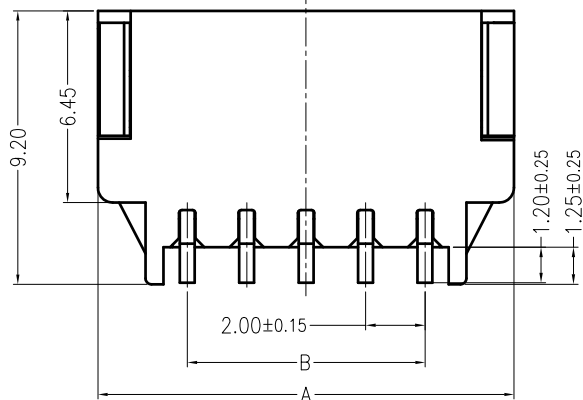
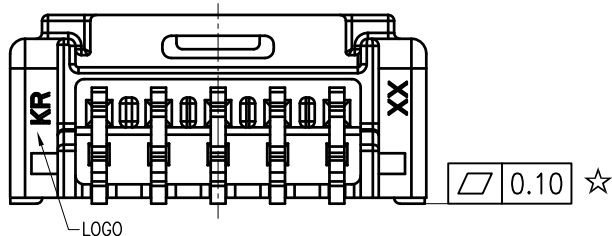
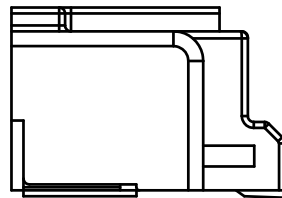
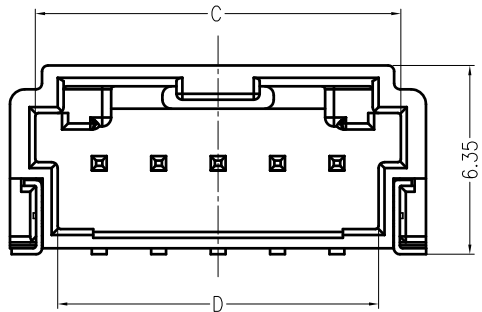


RoHS
COMPLIANT



Recommended P.C.B. Layout
General tolerance: ±0.05mm

SPECIFICATIONS

1. Current rating: 3A AC, DC
2. Voltage rating: 125V AC,DC
3. Temperature range: -40°C ~ +125°C
4. Insulation resistance: 1000 MΩ Min.
5. Withstanding voltage: 500V AC/ minute.
6. Contact resistance: 10mΩ Max.

Material:

Insulator: PA9T UL 94V-0
Contact: Phosphor bronze
Solder tabs: Brass

Plating: Matte-tin (100u" min.) over nickel(50u" min.)
Mate with KR2017 series housing

Cpk dimension marked with "☆"

Ordering Code:

C2017RS *** M0101RA

No.of Circuits 11:PA9T Natural
102 : 2 ... 116,16 12:PA9T Black

A07	16	36.00	30.00	34.30	32.80
	15	34.00	28.00	32.30	30.80
	14	32.00	26.00	30.30	28.80
A05	13	30.00	24.00	28.30	26.80
	12	28.00	22.00	26.30	24.80
	11	26.00	20.00	24.30	22.80
	10	24.00	18.00	22.30	20.80
	9	22.00	16.00	20.30	18.80
	8	20.00	14.00	18.30	16.80
	7	18.00	12.00	16.30	14.80
	6	16.00	10.00	14.30	12.80
	5	14.00	8.00	12.30	10.80
	4	12.00	6.00	10.30	8.80
	3	10.00	4.00	8.30	6.80
	2	8.00	2.00	6.30	4.80
Circuits	A	B	C	D	

A07	Add 14P&15P&16P	Arvin	2024.02.28	TOLERANCE X.X ±0.30 X.XX ±0.20 X.XXX ±0.10 Angle ±2°	TITLE: MX2.0 Inner buckle SMT 90° Wafer	DRAWN: Arvin 2024.02.28	KONNRA 东莞市康瑞电子有限公司 DongGuan Konnra Electronics Co.,Ltd. PART NO.: C2017RS***11M0101RA		
A06	Add specification	ZSZ	2023.05.15			CHECKED:			
A05	Add 13P	ZZN	2023.04.19			APPROVED:			
MARK	REVISION DESCRIPTION	SIGNATURE	DATE			UNIT:mm		SCALE:N/A	SHEET:1/1