

**RoHS**  
COMPLIANT

**SPECIFICATIONS**

1. Current rating: 3A AC, DC
2. Voltage rating: 125V AC,DC
3. Temperature range: -40°C ~ +125°C
4. Insulation resistance:1000mΩ Min.
5. Withstanding voltage: 500V AC/ minute.
6. Contact resistance: 10mΩ Max.

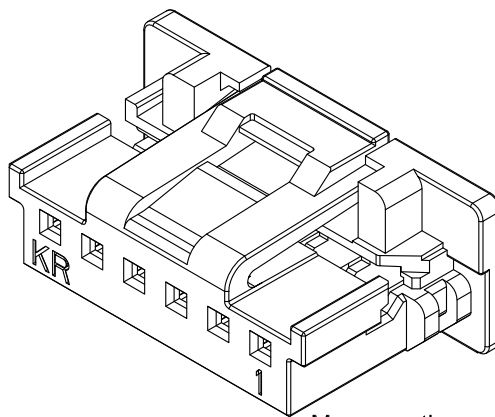
Material:PBT UL94V-0  
 Suitable KR2017 Series terminal and lock  
 Mate with KR2017 Series wafer  
 Cpk dimension marked with "☆"  
 Ordering Code:

H20170 \*\*\* \*\* 01A

05:PBT Black  $\triangle A06$   
 24:PBT Natural

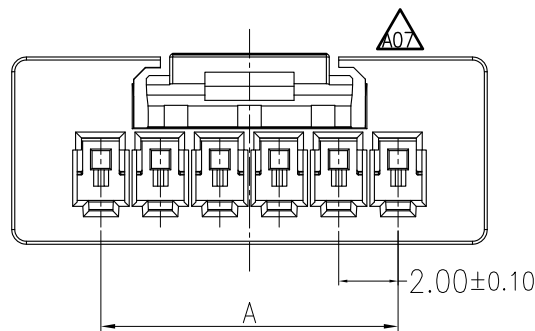
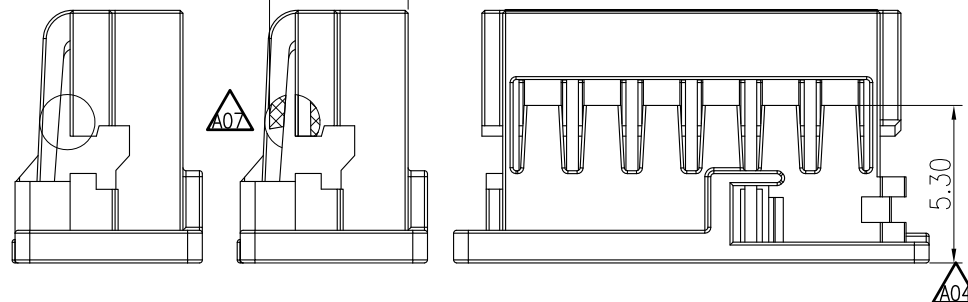
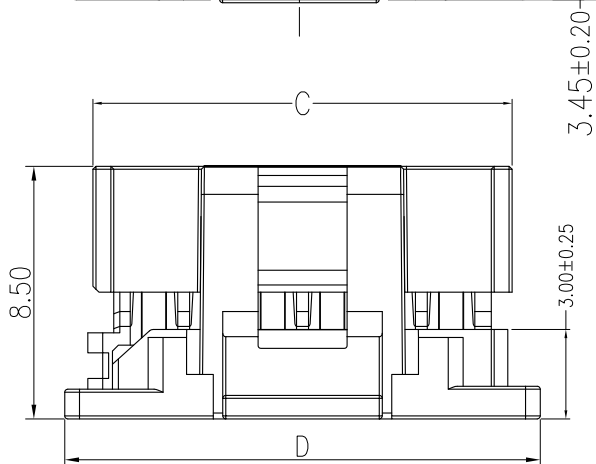
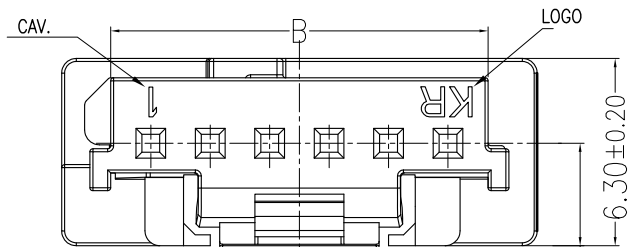
No. of Circuits  
 102 : 2 ... 116,16

|          |       |       |       |       |
|----------|-------|-------|-------|-------|
| 16       | 30.00 | 32.70 | 34.10 | 36.00 |
| 15       | 28.00 | 30.70 | 32.10 | 34.00 |
| 14       | 26.00 | 28.70 | 30.10 | 32.00 |
| 13       | 24.00 | 26.70 | 28.10 | 30.00 |
| 12       | 22.00 | 24.70 | 26.10 | 28.00 |
| 11       | 20.00 | 22.70 | 24.10 | 26.00 |
| 10       | 18.00 | 20.70 | 22.10 | 24.00 |
| 9        | 16.00 | 18.70 | 20.10 | 22.00 |
| 8        | 14.00 | 16.70 | 18.10 | 20.00 |
| 7        | 12.00 | 14.70 | 16.10 | 18.00 |
| 6        | 10.00 | 12.70 | 14.10 | 16.00 |
| 5        | 8.00  | 10.70 | 12.10 | 14.00 |
| 4        | 6.00  | 8.70  | 10.10 | 12.00 |
| 3        | 4.00  | 6.70  | 8.10  | 10.00 |
| 2        | /     | 4.70  | 6.00  | 8.00  |
| Circuits | A     | B     | C     | D     |



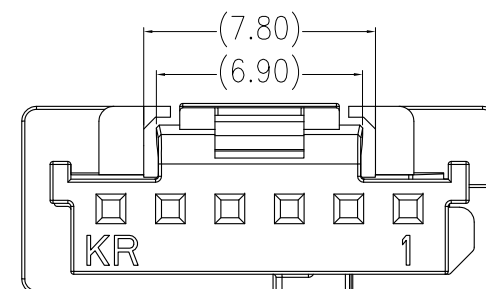
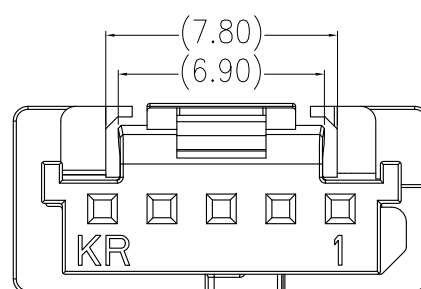
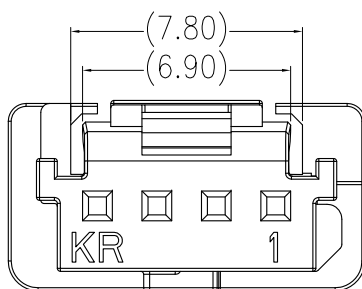
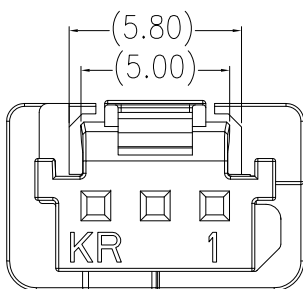
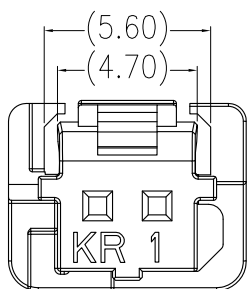
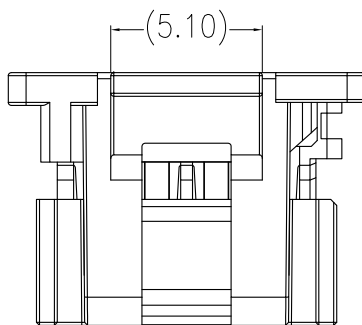
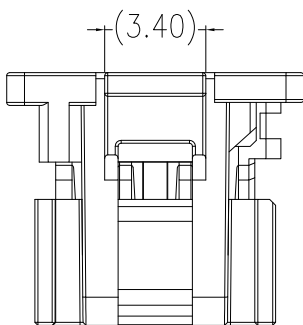
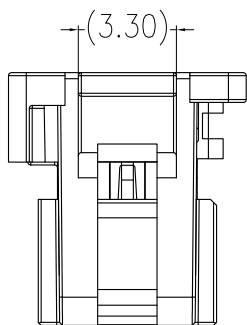
Measure the position of the steps

☆ 4.55<sup>+0.15</sup>/<sub>-0.07</sub>



|      |                      |                   |       |            |  |   |                                |          |  |  |
|------|----------------------|-------------------|-------|------------|--|---|--------------------------------|----------|--|--|
| F    | $\triangle A08$      | Add 15P&16P       | Arvin | 2024.02.28 | TOLERANCE<br>X.X ±0.30<br>X.XX ±0.20<br>X.XXX ±0.10<br>Angle ±2° | TITLE:<br>MX2.0 Inner buckle<br>Housing | DRAWN: <i>Arvin 2024.02.28</i> |          | <b>KONNRA</b> 东莞市康瑞电子有限公司<br>DongGuan Konnra Electronics Co.,Ltd.<br>PART NO.:H20170*****01A |  |
|      | $\triangle A07$      | Modify Size       | Arvin | 2023.09.13 |  |   | CHECKED:                       |          |  |  |
|      | $\triangle A06$      | Add specification | ZSZ   | 2023.06.05 |  |   | APPROVED:                      |          |  |  |
| MARK | REVISION DESCRIPTION | SIGNATURE         | DATE  | UNIT:mm    | SCALE:1/1  | SHEET:1/2                               | PROJECTION                     | REV.:A08 | DRAWING NO.:2017H101-A-S   |  |

**RoHS**  
COMPLIANT



2P VIEW

3P VIEW

4P VIEW

5P VIEW

6~16P VIEW



Add 15P&16P

Arvin

2024.02.28

TOLERANCE

TITLE:

DRAWN: *Arvin 2024.02.28*

**KONNRA** 东莞市康瑞电子有限公司



Modify Size

Arvin

2023.09.13

X.X ±0.30

MX2.0 Inner buckle

CHECKED:

DongGuan Konnra Electronics Co.,Ltd.



Add specification

ZSZ

2023.06.05

X.XX ±0.20

Housing

APPROVED:

PART NO.:H20170\*\*\*\*\*01A

MARK

REVISION DESCRIPTION

SIGNATURE

DATE

X.XXX ±0.10

Angle ±2°

UNIT:mm

SCALE:1/1

SHEET:2/2

PROJECTION

REV.:A08

DRAWING NO.:2017H101-A-S

1

2

3

4

5

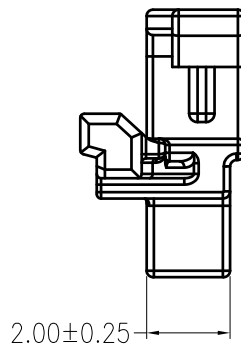
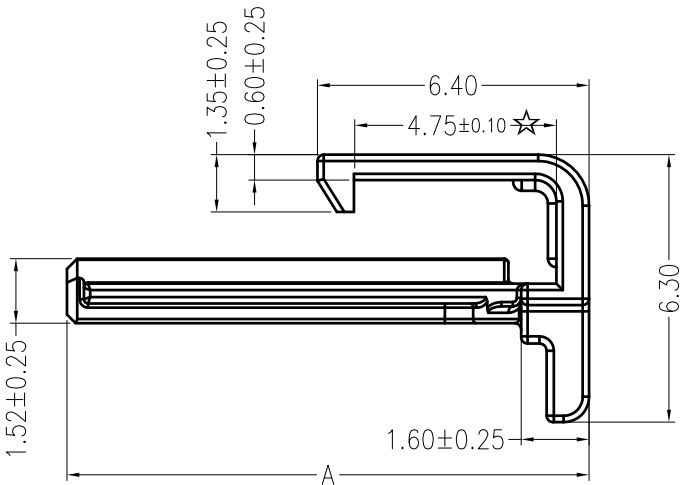
6

7

8

9

**RoHS**  
COMPLIANT



**SPECIFICATIONS**

1. Current rating: 3A AC, DC
2. Voltage rating: 125V AC,DC
3. Temperature range: -40°C ~ +125°C
4. Insulation resistance:1000 MΩ Min.
5. Withstanding voltage: 500V AC/ minute.
6. Contact resistance: 10mΩ Max.

Material:PBT UL94 V-0

Suitable KR2017 Series housing

Cpk dimension marked with "☆"

Ordering Code:

H20170 xxx xx 11A

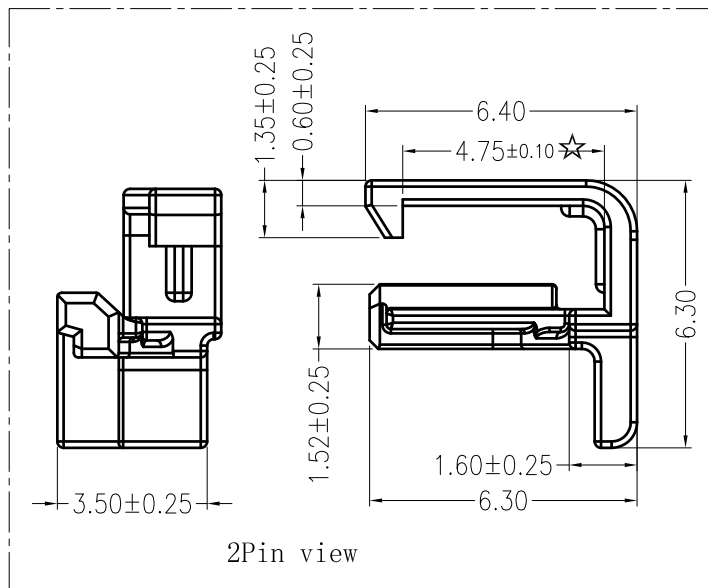
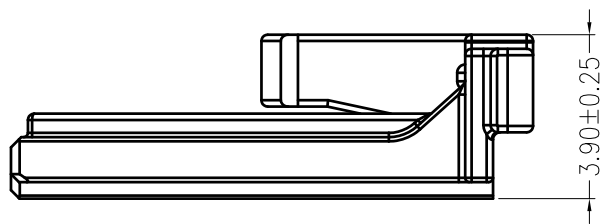
102 : 2P

103 : 3P

104 : 4P...

Color:

05 : PBT Black



|          |       |
|----------|-------|
| 16       | 34.30 |
| 15       | 32.30 |
| 14       | 30.30 |
| 13       | 28.30 |
| 12       | 26.30 |
| 11       | 24.30 |
| 10       | 22.30 |
| 9        | 20.30 |
| 8        | 18.30 |
| 7        | 16.30 |
| 6        | 14.30 |
| 5        | 12.30 |
| 4        | 10.30 |
| 3        | 8.30  |
| 2        | 6.30  |
| Circuits | A     |

|   |      |                                |           |            |  |   |                         |  |           |           |
|---|------|--------------------------------|-----------|------------|--|---|-------------------------|--|-----------|-----------|
| F | △A04 | Add 15&16P                     | Arvin     | 2024.02.28 | TOLERANCE<br>X.X ±0.30<br>X.XX ±0.20<br>X.XXX ±0.10<br>Angle ±2° | TITLE:<br>MX2.0 Inner buckle<br>Housing | DRAWN: Arvin 2024.02.28 | KONNRA 东莞市康瑞电子有限公司<br>DongGuan Konnra Electronics Co.,Ltd. |           |           |
|   | △A03 | Add 13&14P                     | Arvin     | 2022.09.27 |  |   | CHECKED:                |  |           |           |
|   | △A02 | Uniformly arrange the drawings | ZSZ       | 2021.09.17 |  |   | APPROVED:               |  |           |           |
|   | MARK | REVISION DESCRIPTION           | SIGNATURE | DATE       |  |   | UNIT:mm                 |  | SCALE:N/A | SHEET:1/1 |