

**RoHS**  
COMPLIANT

**SPECIFICATIONS**

1. Current rating: 3A AC, DC
2. Voltage rating: 125V AC,DC
3. Temperature range: -40°C ~ +125°C
4. Insulation resistance:1000mΩ Min.
5. Withstanding voltage: 500V AC/ minute.
6. Contact resistance: 10mΩ Max.

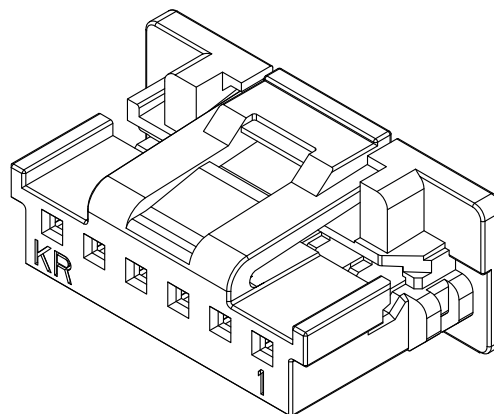
Material:PBT UL94V-0  
 Suitable KR2017 Series terminal and lock  
 Mate with KR2017 Series wafer  
 Cpk dimension marked with "☆"  
 Ordering Code:

H20170 \*\*\* \*\* 01A

05:PBT Black  $\triangle A06$   
 24:PBT Natural

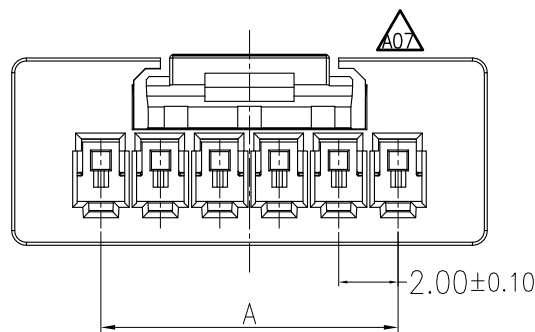
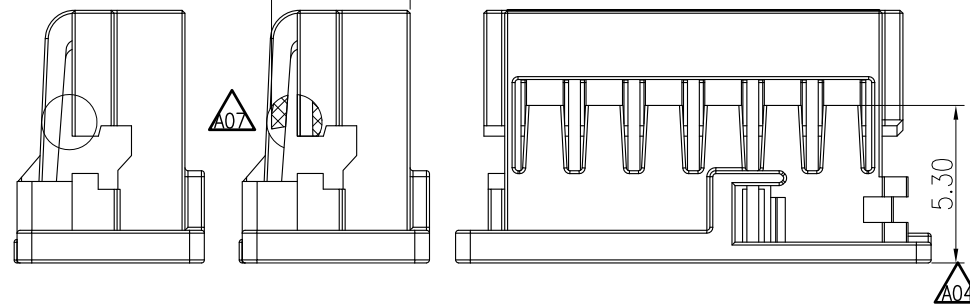
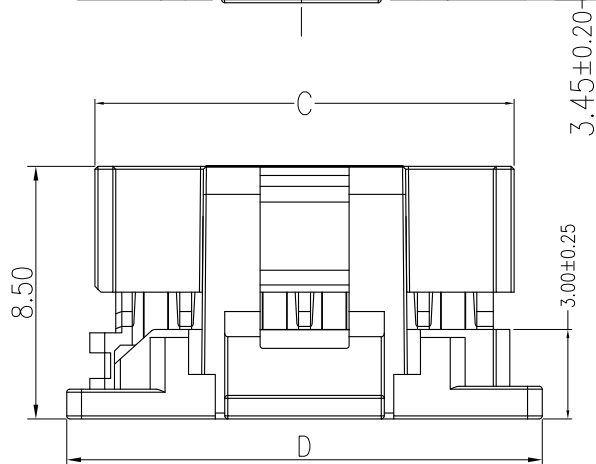
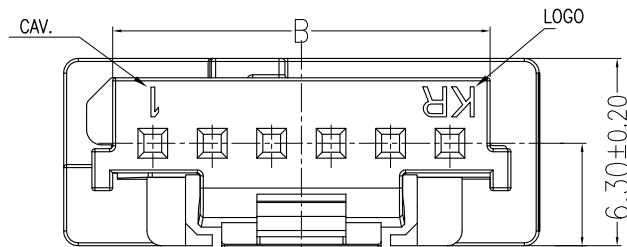
No. of Circuits  
 102 : 2 ... 116,16

16	30.00	32.70	34.10	36.00
15	28.00	30.70	32.10	34.00
14	26.00	28.70	30.10	32.00
13	24.00	26.70	28.10	30.00
12	22.00	24.70	26.10	28.00
11	20.00	22.70	24.10	26.00
10	18.00	20.70	22.10	24.00
9	16.00	18.70	20.10	22.00
8	14.00	16.70	18.10	20.00
7	12.00	14.70	16.10	18.00
6	10.00	12.70	14.10	16.00
5	8.00	10.70	12.10	14.00
4	6.00	8.70	10.10	12.00
3	4.00	6.70	8.10	10.00
2	/	4.70	6.00	8.00
Circuits	A	B	C	D



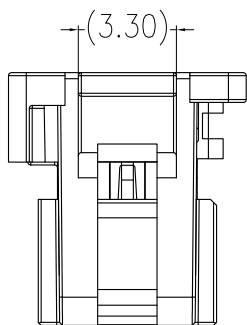
Measure the position of the steps

☆ 4.55<sup>+0.15</sup><sub>-0.07</sub>

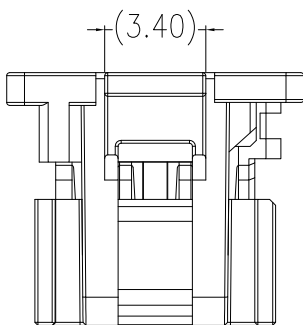


F	$\triangle A08$	Add 15P&16P	Arvin	2024.02.28	TOLERANCE X.X ±0.30 X.XX ±0.20 X.XXX ±0.10 Angle ±2°	TITLE: MX2.0 Inner buckle Housing	DRAWN: <i>Arvin 2024.02.28</i>	KONNRA 东莞市康瑞电子有限公司 DongGuan Konnra Electronics Co.,Ltd.	
	$\triangle A07$	Modify Size	Arvin	2023.09.13					
	$\triangle A06$	Add specification	ZSZ	2023.06.05					
MARK	REVISION DESCRIPTION	SIGNATURE	DATE	UNIT:mm	SCALE:1/1	SHEET:1/2	PROJECTION	REV.:A08	DRAWING NO.:2017H101-A-S

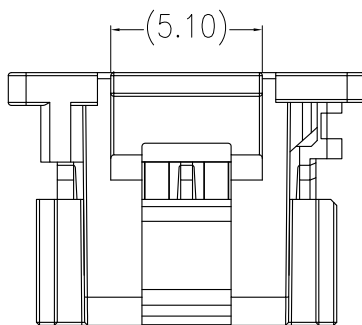
**RoHS**  
COMPLIANT



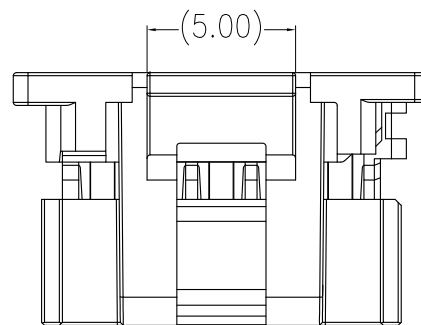
2P VIEW



3P VIEW



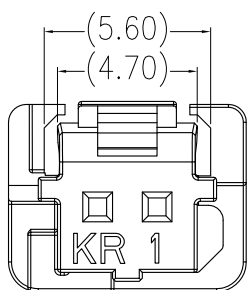
4P VIEW



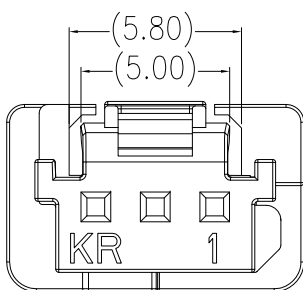
5P VIEW



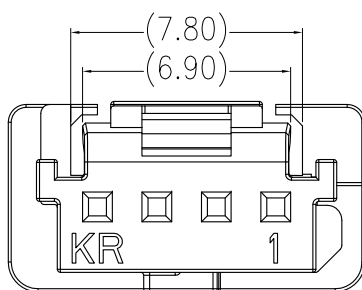
6~16P VIEW



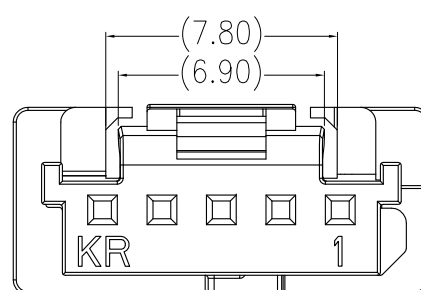
2P VIEW



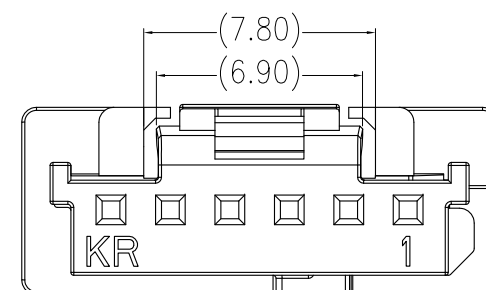
3P VIEW



4P VIEW



5P VIEW



6~16P VIEW



Add 15P&16P

Arvin

2024.02.28

TOLERANCE

TITLE:

DRAWN: *Arvin 2024.02.28*

**KONNRA** 东莞市康瑞电子有限公司



Modify Size

Arvin

2023.09.13

X.X ±0.30

MX2.0 Inner buckle

CHECKED:

DongGuan Konnra Electronics Co.,Ltd.



Add specification

ZSZ

2023.06.05

X.XX ±0.20

Housing

APPROVED:

PART NO.:H20170\*\*\*\*\*01A

MARK

REVISION DESCRIPTION

SIGNATURE

DATE

X.XXX ±0.10

Angle ±2°

UNIT:mm

SCALE:1/1

SHEET:2/2

PROJECTION

REV.:A08

DRAWING NO.:2017H101-A-S

1

2

3

4

5

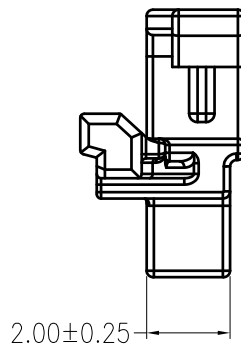
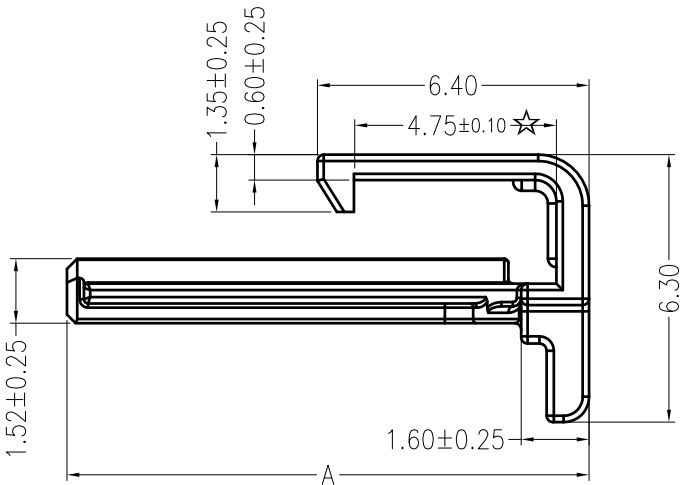
6

7

8

9

**RoHS**  
COMPLIANT



**SPECIFICATIONS**

1. Current rating: 3A AC, DC
2. Voltage rating: 125V AC,DC
3. Temperature range: -40°C ~ +125°C
4. Insulation resistance:1000 MΩ Min.
5. Withstanding voltage: 500V AC/ minute.
6. Contact resistance: 10mΩ Max.

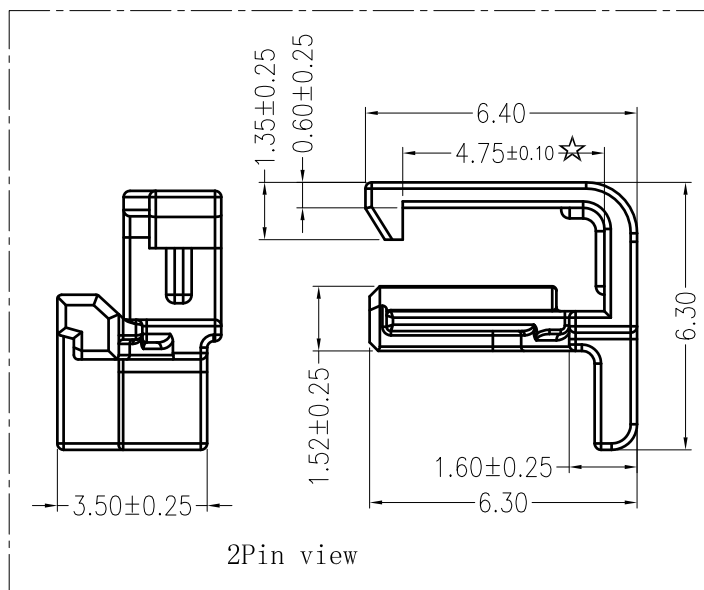
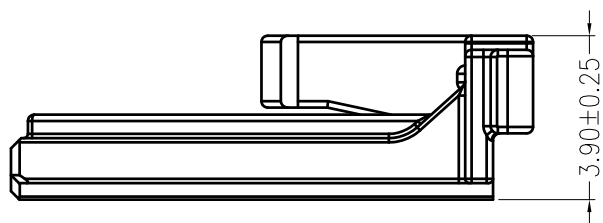
Material:PBT UL94 V-0  
Suitable KR2017 Series housing  
Cpk dimension marked with "☆"

Ordering Code:

H20170 xxx xx 11A

- 102 : 2P
- 103 : 3P
- 104 : 4P...

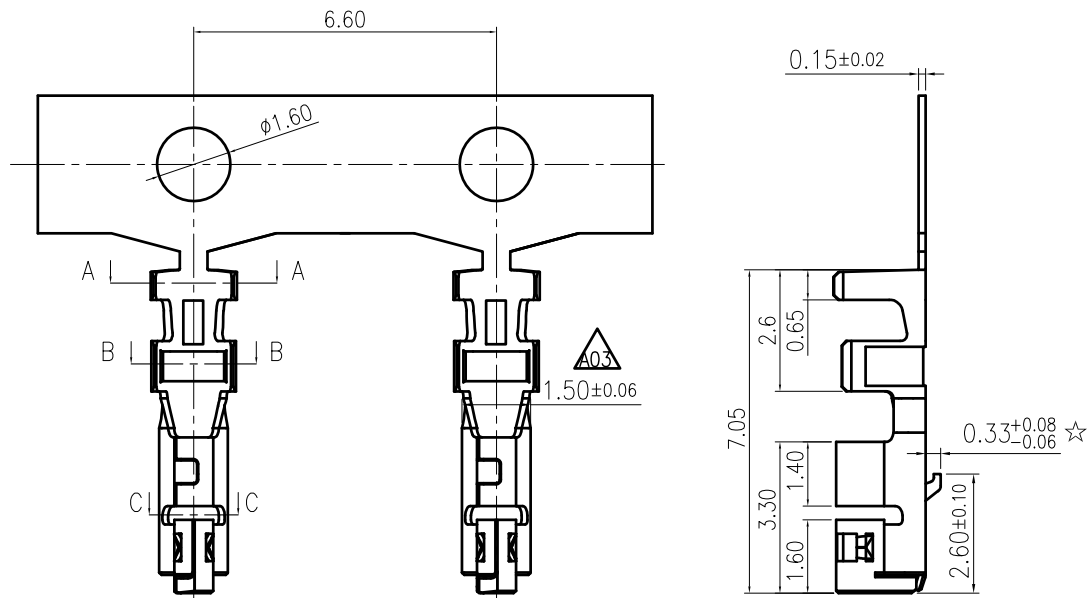
Color:  
05 : PBT Black



△A04	16	34.30
	15	32.30
△A03	14	30.30
	13	28.30
	12	26.30
	11	24.30
	10	22.30
	9	20.30
	8	18.30
	7	16.30
	6	14.30
	5	12.30
	4	10.30
	3	8.30
	2	6.30
	Circuits	A

F	△A04	Add 15&16P	Arvin	2024.02.28	TOLERANCE X.X ±0.30 X.XX ±0.20 X.XXX ±0.10 Angle ±2°	TITLE: MX2.0 Inner buckle Housing	DRAWN: Arvin 2024.02.28	KONNRA 东莞市康瑞电子有限公司 DongGuan Konnra Electronics Co.,Ltd.	
	△A03	Add 13&14P	Arvin	2022.09.27			CHECKED:		
	△A02	Uniformly arrange the drawings	ZSZ	2021.09.17			APPROVED:		
	MARK	REVISION DESCRIPTION	SIGNATURE	DATE			UNIT:mm		SCALE:N/A

**RoHS**  
COMPLIANT



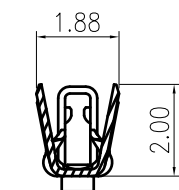
**SPECIFICATIONS**

1. Current rating: 3A(22AWG,0.35mm<sup>2</sup>) AC, DC
2. Voltage rating: 125V AC,DC
3. Temperature range: -40°C ~ +125°C
4. Insulation resistance:1000 MΩ Min.
5. Withstanding voltage: 500V AC/ minute.
6. Contact resistance: 10mΩ Max.

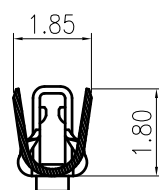
**Applicable Wires:**

AWG#22,0.35mm<sup>2</sup>  $\triangle A04$   
Insulation O.D. : 1.40mm MAX

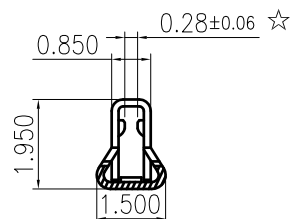
Material: Phosphor Bronze  
Plating: Tin plated(100u' min.) over nickel(50u' min.)  
Suitable KR2017 Series housing  
Q'ty/Reel: 10,000 PCS  
Cpk dimension marked with "☆"



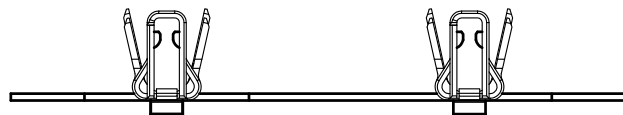
SECTION A-A



SECTION B-B



SECTION C-C



F	$\triangle A04$	Updated riveted wire specifications	Arvin	2024.02.28	TOLERANCE X.X ±0.30 X.XX ±0.20 X.XXX ±0.10 Angle ±2°	TITLE: MX2.0 Inner buckle Terminal	DRAWN: <i>Arvin 2024.02.28</i>	KONNRA 东莞市康瑞电子有限公司 DongGuan Konnra Electronics Co.,Ltd.	
	$\triangle A03$	Add dimensions	Arvin	2022.09.27			CHECKED:		
	$\triangle A02$	Uniformly arrange the drawings	ZSZ	2021.09.17			APPROVED:		
MARK	REVISION DESCRIPTION	SIGNATURE	DATE	UNIT:mm	SCALE:N/A	SHEET:1/1	PROJECTION	REV.:A04	DRAWING NO.:2017T101-A-S

**RoHS**  
COMPLIANT

**SPECIFICATIONS**

1. Current rating: 3A AC, DC
2. Voltage rating: 125V AC,DC
3. Temperature range: -40°C ~ +125°C
4. Insulation resistance:1000 MΩ Min.
5. Withstanding voltage: 500V AC/ minute.
6. Contact resistance: 10mΩ Max.

**Material:**

Insulator: PA9T UL 94V-0  
Contact: Phosphor bronze  
Solder tabs: Brass

Plating: Matte-tin (100u" min.) over nickel(50u" min.)  
Mate with KR2017 series housing

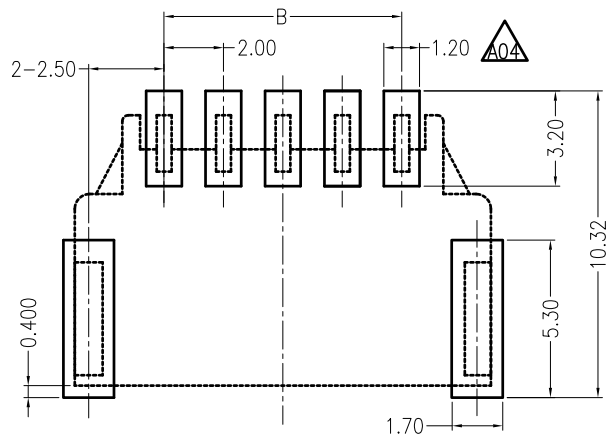
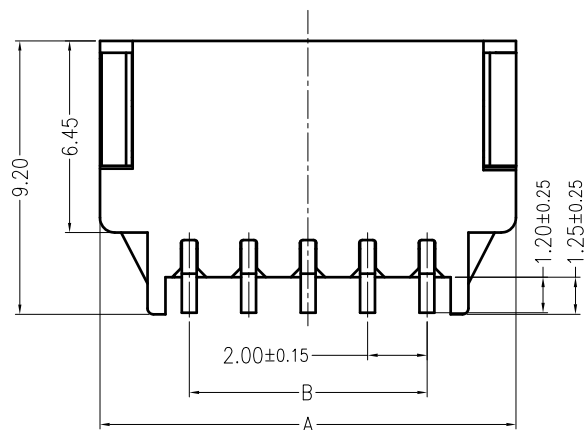
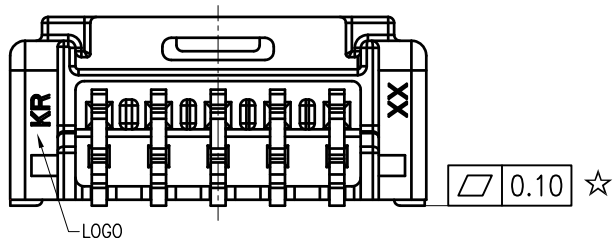
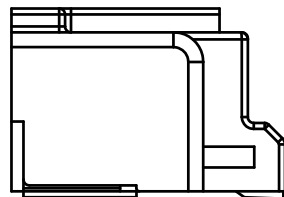
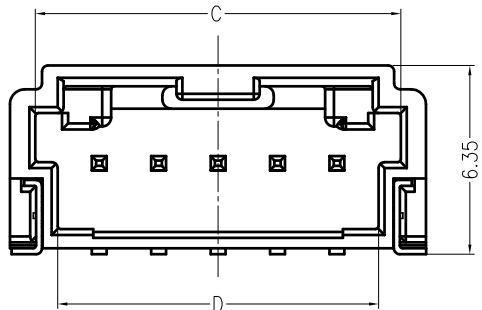
Cpk dimension marked with "☆"

**Ordering Code:**

C2017RS \*\*\* \*\* M0101RA

No.of Circuits   11:PA9T Natural   12:PA9T Black  

A07	16	36.00	30.00	34.30	32.80
	15	34.00	28.00	32.30	30.80
A05	14	32.00	26.00	30.30	28.80
	13	30.00	24.00	28.30	26.80
A04	12	28.00	22.00	26.30	24.80
	11	26.00	20.00	24.30	22.80
A03	10	24.00	18.00	22.30	20.80
	9	22.00	16.00	20.30	18.80
A02	8	20.00	14.00	18.30	16.80
	7	18.00	12.00	16.30	14.80
A01	6	16.00	10.00	14.30	12.80
	5	14.00	8.00	12.30	10.80
A00	4	12.00	6.00	10.30	8.80
	3	10.00	4.00	8.30	6.80
A00	2	8.00	2.00	6.30	4.80
	Circuits	A	B	C	D



Recommended P.C.B. Layout  
General tolerance:±0.05mm

A07	Add 14P&15P&16P	Arvin	2024.02.28	TOLERANCE X.X ±0.30 X.XX ±0.20 X.XXX ±0.10 Angle ±2°	TITLE: MX2.0 Inner buckle SMT 90° Wafer	DRAWN: <i>Arvin 2024.02.28</i>	KONNRA 东莞市康瑞电子有限公司 DongGuan Konnra Electronics Co.,Ltd.		
A06	Add specification	ZSZ	2023.05.15			CHECKED:			
A05	Add 13P	ZZN	2023.04.19			APPROVED:			
MARK	REVISION DESCRIPTION	SIGNATURE	DATE			UNIT:mm		SCALE:N/A	SHEET:1/1

**RoHS**  
COMPLIANT

**SPECIFICATIONS**

1. Current rating: 3A AC, DC
2. Voltage rating: 125V AC,DC
3. Temperature range: -40°C ~ +125°C
4. Insulation resistance:1000 MΩ Min.
5. Withstanding voltage: 500V AC/ minute.
6. Contact resistance: 10mΩ Max.

**Material:**

- Insulator: PA9T UL 94V-0
- Contact: Phosphor bronze
- Solder tabs: Brass


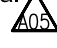
Plating: Matte-tin (100u' min.) over nickel(50u" min.)



Mate with KR2017 series housing

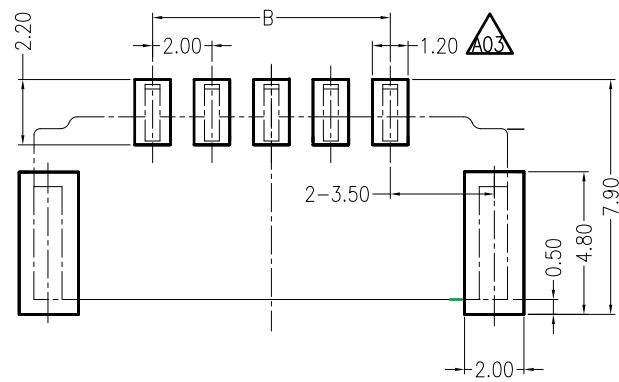
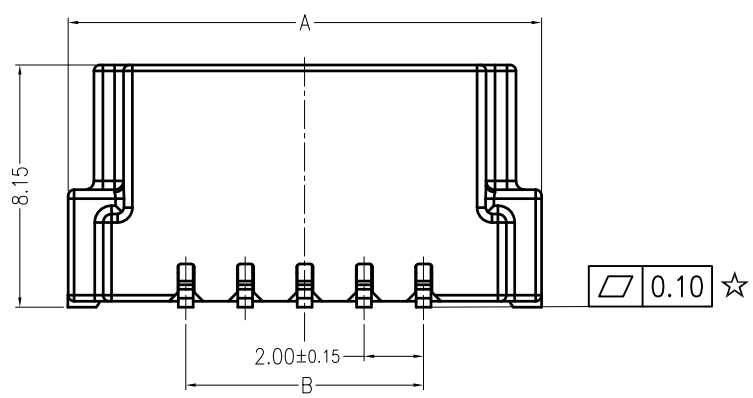
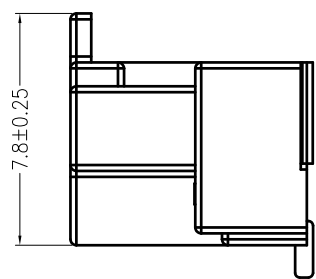
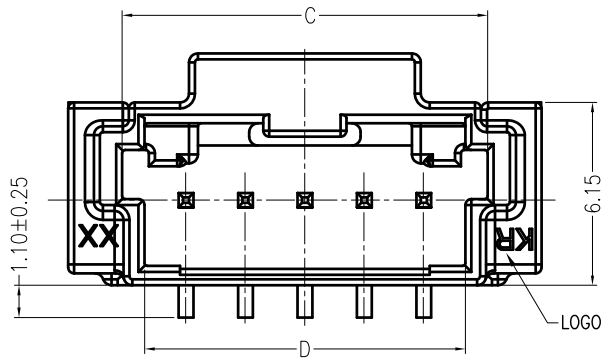
Cpk dimension marked with "☆"

Ordering Code:




C2017VS \*\*\* \*\* M0101RA

- 11:PA9T Natural 
- 12:PA9T Black 
- No.of Circuits
- 102 : 2 ... 116,16

	16	37.90	30.00	34.30	32.80
	15	35.90	28.00	32.30	30.80
	14	33.90	26.00	30.30	28.80
	13	31.90	24.00	28.30	26.80
	12	29.90	22.00	26.30	24.80
	11	27.90	20.00	24.30	22.80
	10	25.90	18.00	22.30	20.80
	9	23.90	16.00	20.30	18.80
	8	21.90	14.00	18.30	16.80
	7	19.90	12.00	16.30	14.80
	6	17.90	10.00	14.30	12.80
	5	15.90	8.00	12.30	10.80
	4	13.90	6.00	10.30	8.80
	3	11.90	4.00	8.30	6.80
	2	9.90	2.00	6.30	4.80
	Circuits	A	B	C	D



Recommended P.C.B. Layout  
General tolerance:±0.05mm

	Add 13P&15P&16P	Arvin	2024.02.28	TOLERANCE X.X ±0.30 X.XX ±0.20 X.XXX ±0.10 Angle ±2°	TITLE: MX2.0 Inner buckle SMT 180° Wafer	DRAWN: Arvin 2024.02.28		KONNRA 东莞市康瑞电子有限公司 DongGuan Konnra Electronics Co.,Ltd.	
	Add specification	ZSZ	2023.06.05			CHECKED:			
	Add 14P	ZZN	2023.04.19			APPROVED:			
MARK	REVISION DESCRIPTION	SIGNATURE	DATE			UNIT:mm	SCALE:N/A		