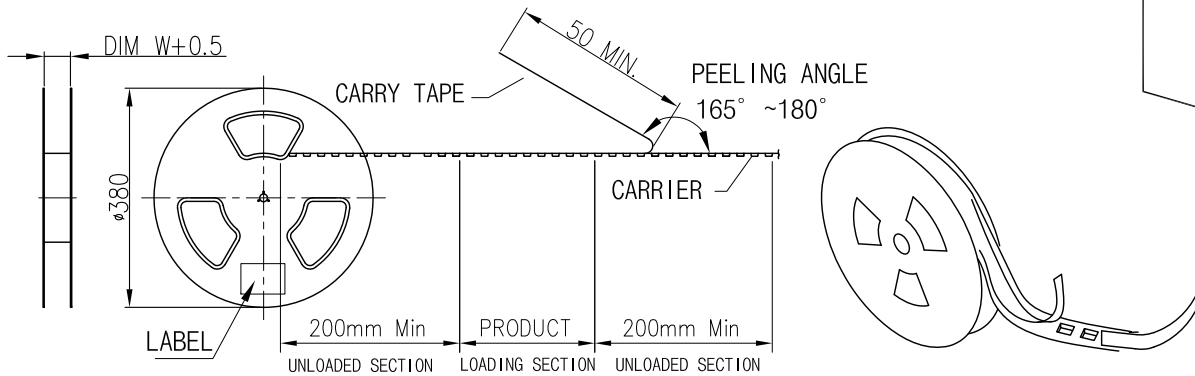
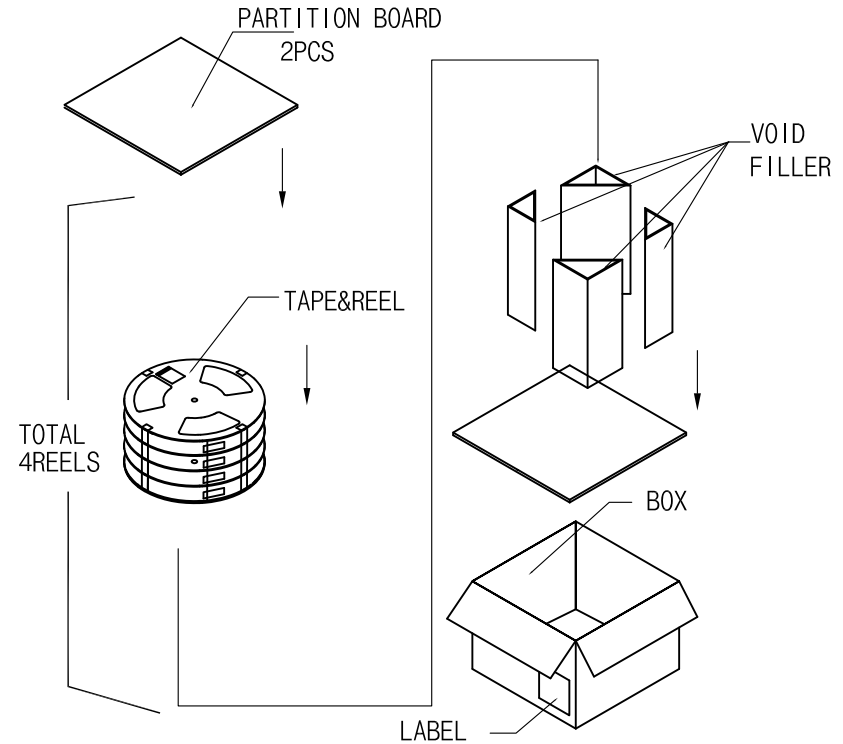
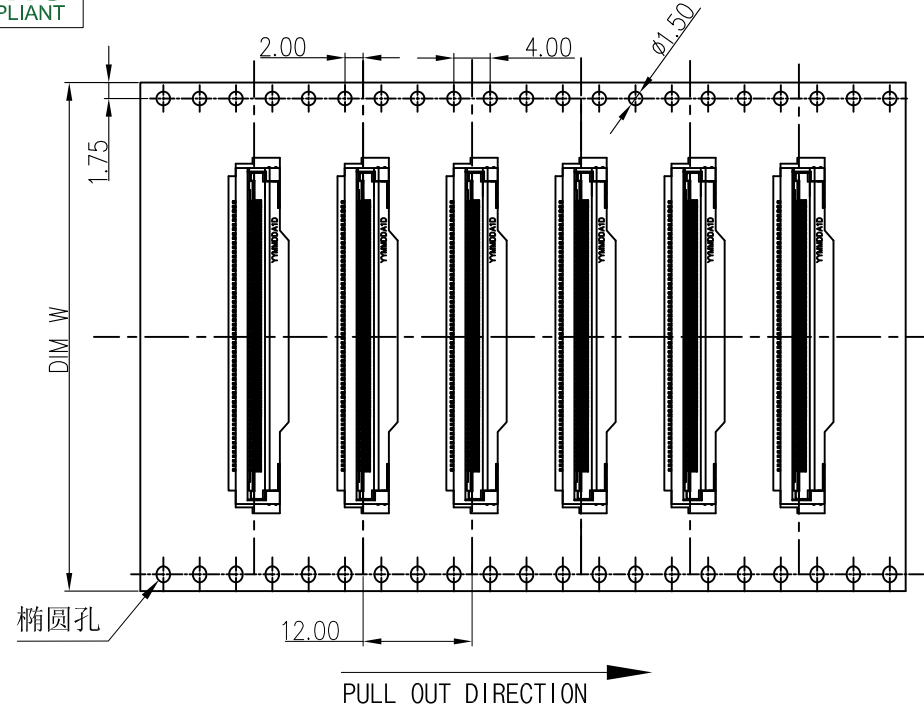


RoHS
COMPLIANT



96	2500	72	4	10000
PIN	PCS/REEL	DIM W	REELS/BOX	PCS/BOX

F					TOLERANCE	TITLE:	DRAWN: LCC 2024.06.14	KONNRA 东莞市康瑞电子有限公司 DongGuan Konnra Electronics Co.,Ltd.				
					X.X ±0.30	NEG1S2 96.2 CONN.	CHECKED:					
					X.XX ±0.20	PACKING	APPROVED:	PART NO.: A050099613G0301RL				
	MARK	REVISION DESCRIPTION	SIGNATURE	DATE	X.XXX ±0.10	UNIT:mm	SCALE:1:1	SHEET:4/4	PROJECTION	REV.:A01	DRAWING NO.: A0500901-L-S	
	1	2	3	4	Angle ±2°	5	6	7	8	9		