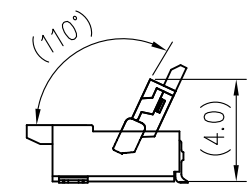
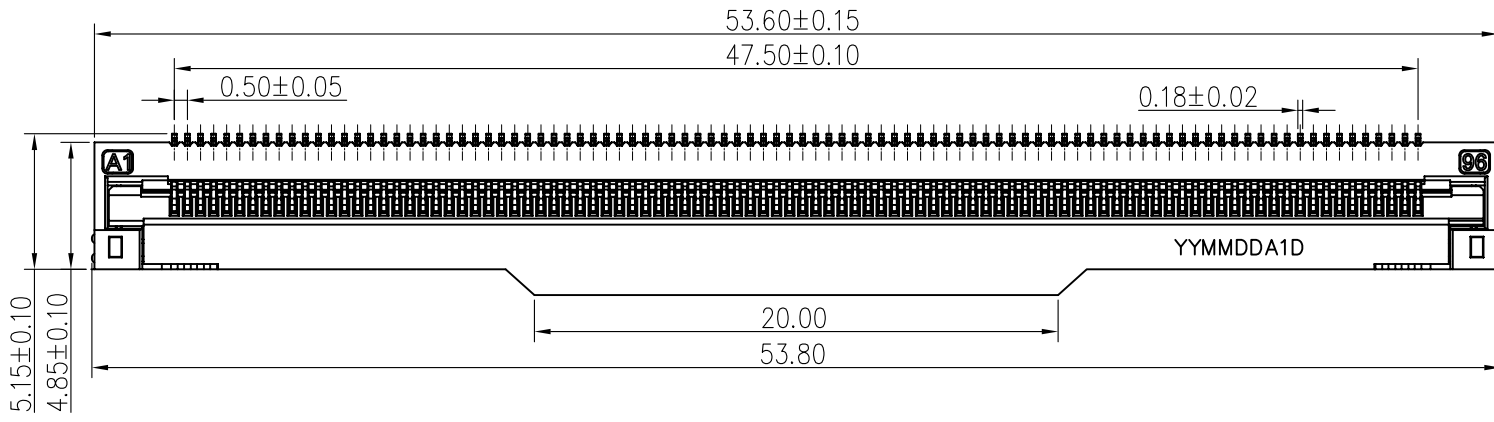
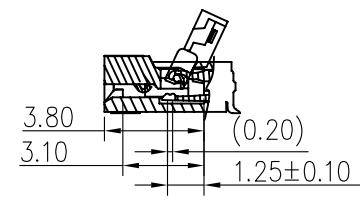
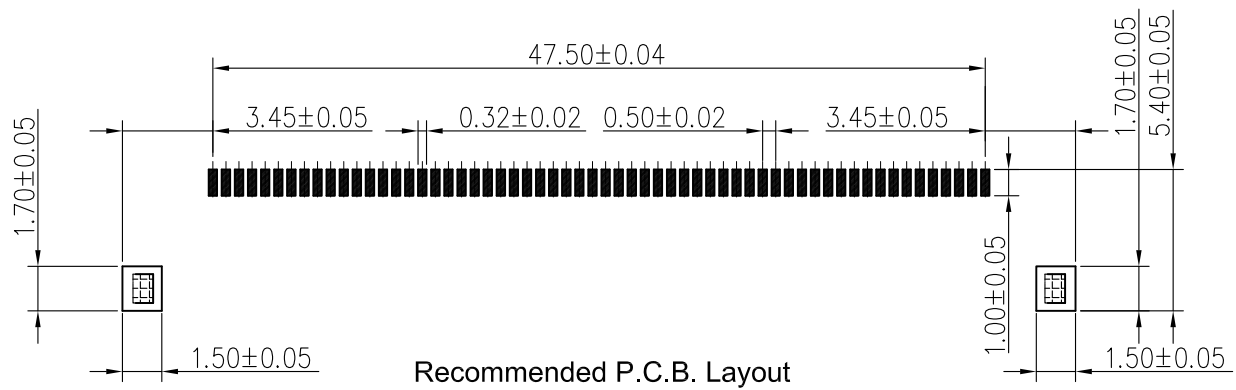
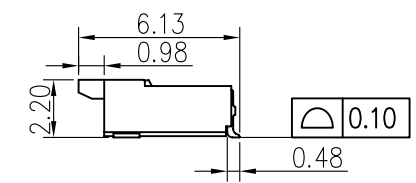
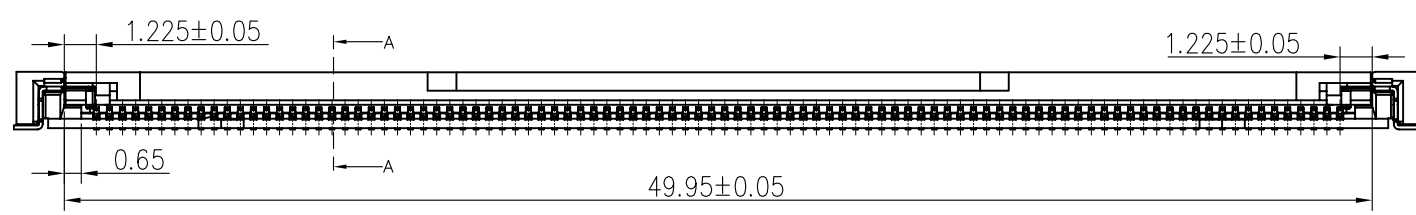


RoHS
COMPLIANT



OPEN POSITION

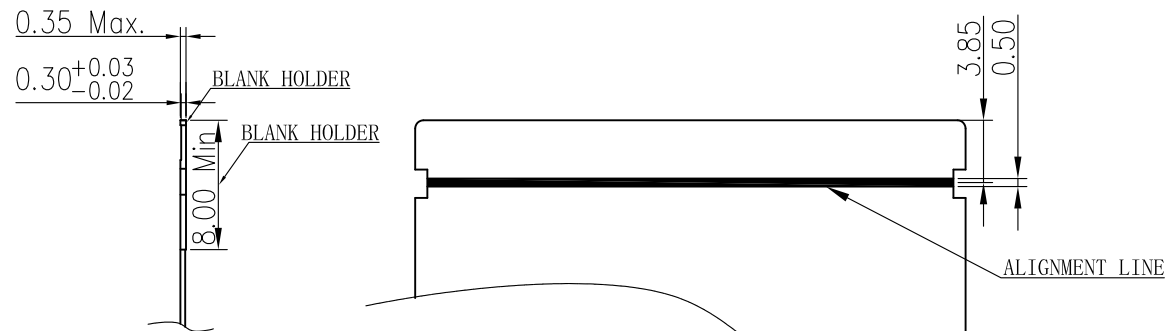
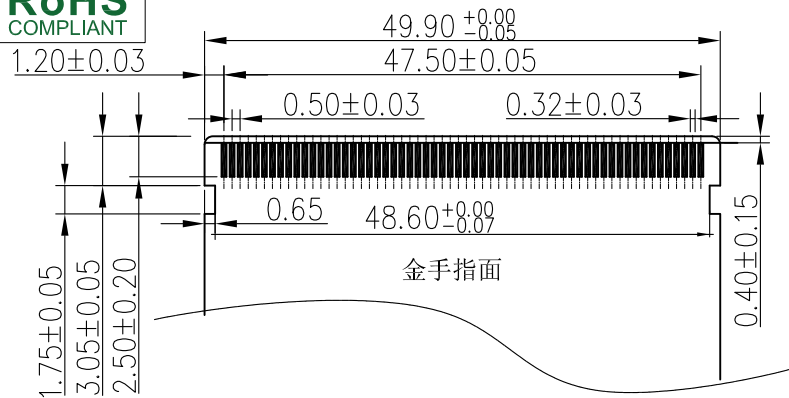


SECTION A-A

Recommended P.C.B. Layout

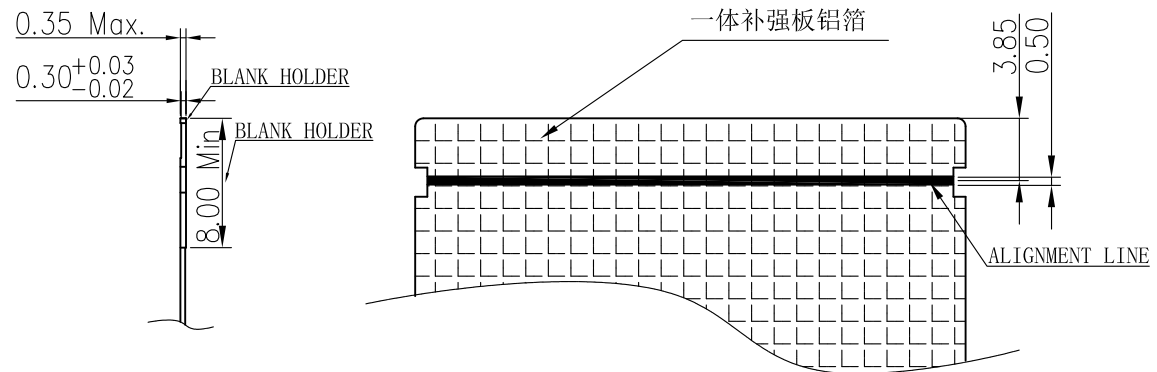
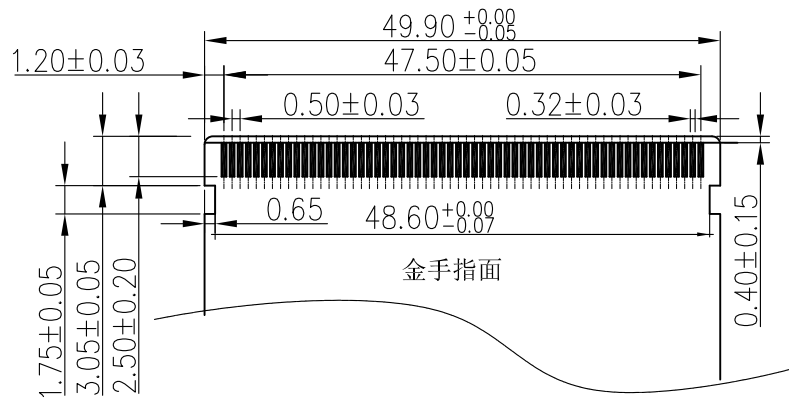
F	△A03			TOLERANCE	TITLE:	DRAWN: LCC 2024.06.14	KONNRA 东莞市康瑞电子有限公司				
	△A02			X.X ±0.30	NEG1S2 96.2 CONN.	CHECKED:	DongGuan Konnra Electronics Co.,Ltd.				
	△A01			X.XX ±0.20		APPROVED:	PART NO.: A050099613G0301RL				
	MARK	REVISION DESCRIPTION	SIGNATURE	DATE	Angle ±2°	UNIT:mm	SCALE:1:1	SHEET:1/4	PROJECTION	REV.:A01	DRAWING NO.:A0500901-L-S
	1	2	3	4	5	6	7	8	9		

RoHS
COMPLIANT



APPLICABLE FPC RECOMMENDED DIMENSION

蓝白裸线 (不接地)



APPLICABLE FPC RECOMMENDED DIMENSION

一体补强板铝箔FPC线

NOTES:

1. MATERIAL:

HOUSING: HEIGHT THERMOPLASTIC, UL94V-0, COLOR: NATURE
 ACTUATOR: HEIGHT THERMOPLASTIC, UL94V-0, COLOR: BLACK
 CONTACT: COPPER ALLOY, T=0.18mm
 PEG: COPPER ALLOY, T=0.15mm

2. FINISH:

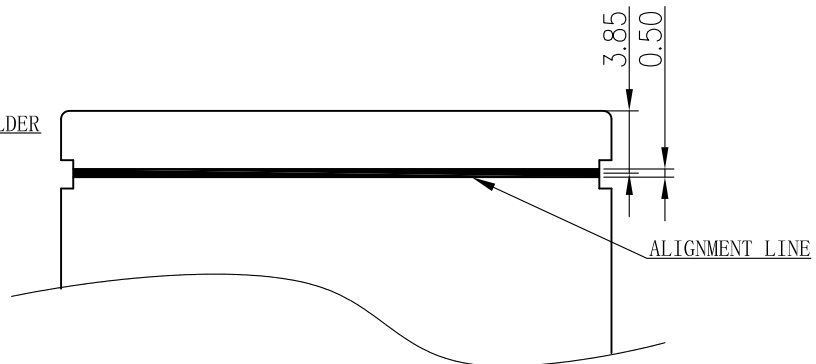
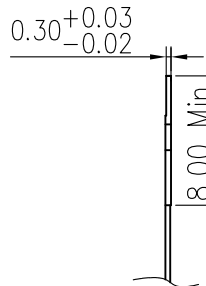
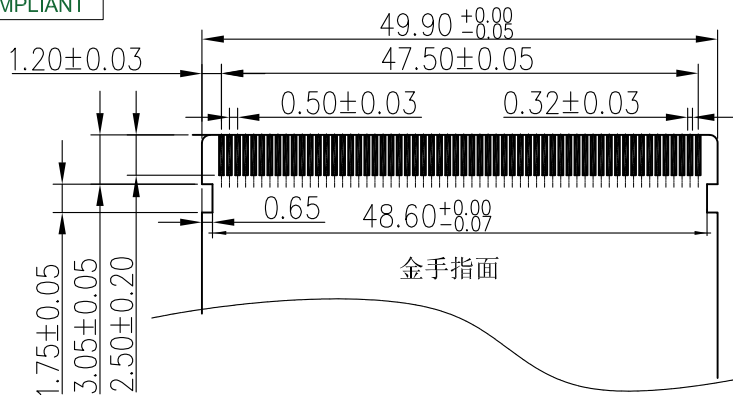
-CONTACT AREA: Au 3u" Min OVER Ni 50u" Min
 -SMD AREA: Au 1.5u" Min
 PEG: Matte Tin 100u" Min. OVER Ni 50u" Min.

TABLE:

4	PEG	PHOSPOHR BRONZE
3	ACTUATOR	THERMOPLASTIC, BLACK
2	TERMINAL	PHOSPOHR BRONZE
1	HOUSING	THERMOPLASTIC, NATURE
No.	PARTS NAME	NOTE

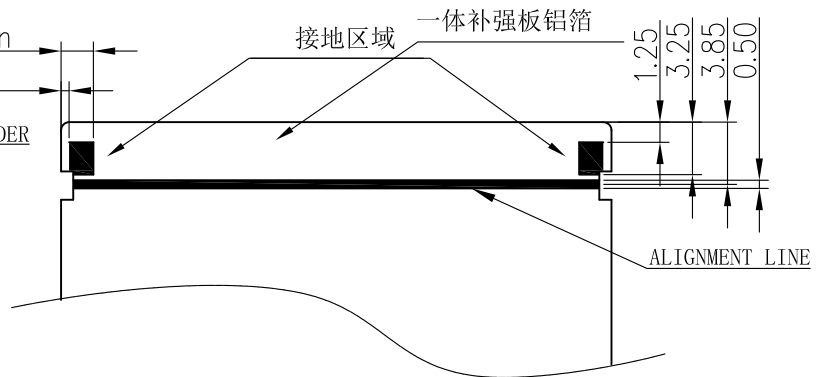
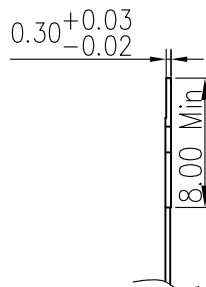
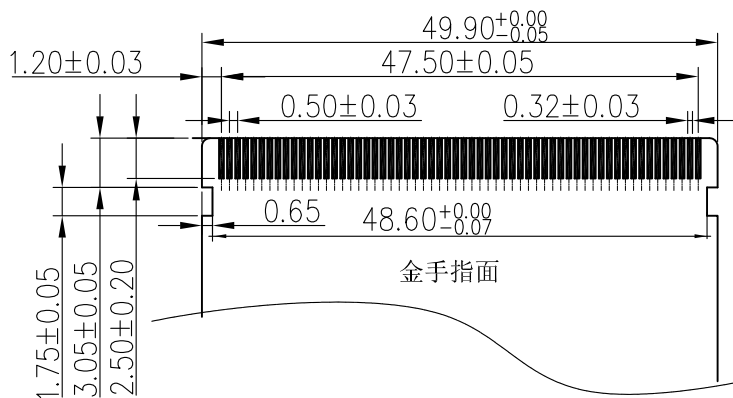
F	△A03				TOLERANCE	TITLE:	DRAWN:	KONNRA 东莞市康瑞电子有限公司 DongGuan Konnra Electronics Co., Ltd.
	△A02				X.X ± 0.30	NEG1S2 96.2 CONN.	CHECKED:	
	△A01				X.XX ± 0.20		APPROVED:	
	MARK	REVISION DESCRIPTION	SIGNATURE	DATE	X.XXX ± 0.10	UNIT:mm	SHEET: 2/4	PART NO.: A050099613G0301RL
	1	2	3	4	Angle ± 2°	SCALE: 1:1	PROJECTION	REV.: A01
	1	2	3	4				DRAWING NO.: A0500901-L-S

RoHS
COMPLIANT



APPLICABLE FPC RECOMMENDED DIMENSION

蓝白裸线 (不接地)



APPLICABLE FPC RECOMMENDED DIMENSION

一体补强板铝箔FFC线

A03

A02

A01

MARK

TOLERANCE

X.X ±0.30

X.XX ±0.20

X.XXX ±0.10

Angle ±2°

TITLE:

NEG1S2 96.2 CONN.

UNIT:mm

SCALE:1:1

DRAWN:

LW 2024.06.14

CHECKED:

APPROVED:

SHEET:3/4

PROJECTION

KONNRA 东莞市康瑞电子有限公司

DongGuan Konnra Electronics Co.,Ltd.

PART NO.:A050099613G0301RL

REV.:A01

DRAWING NO.:A0500901-L-S

1

2

3

4

5

6

7

8

9