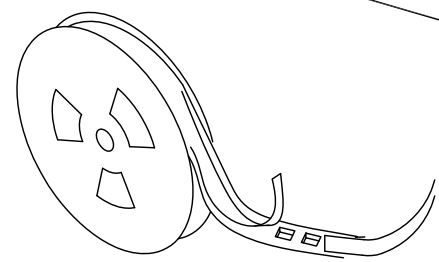
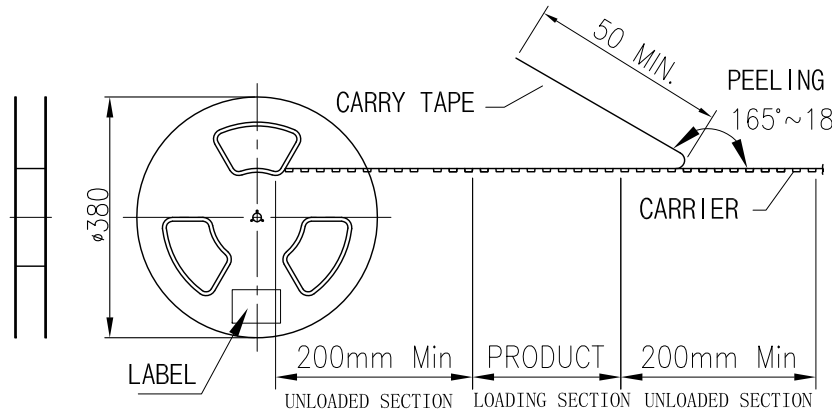
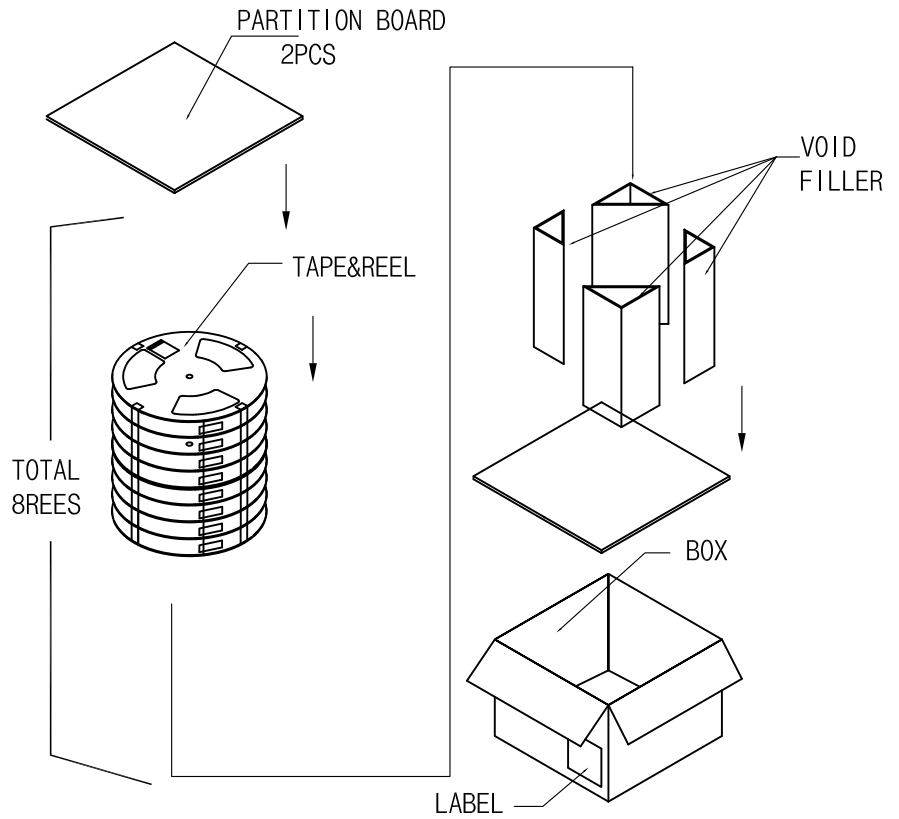
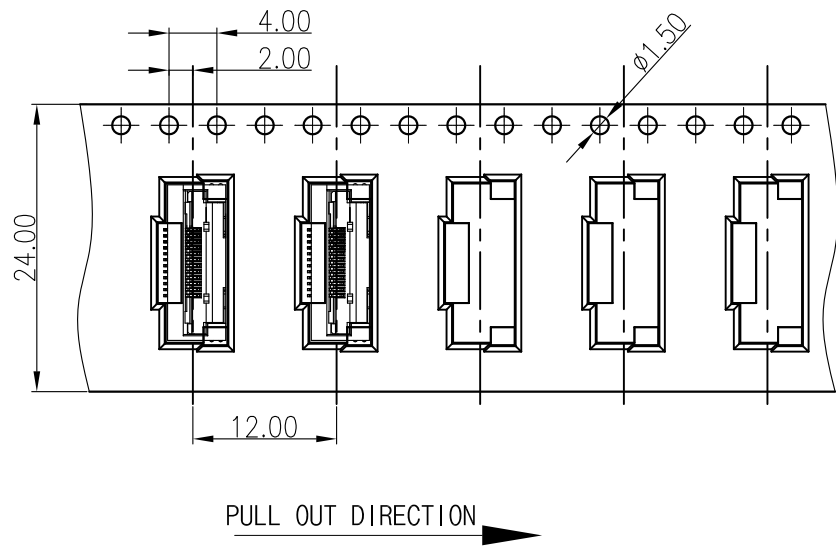


RoHS
COMPLIANT



2500	8	20000
PCS/ REEL	REELS/ BOX	PCS/BOX

F	△A03				TOLERANCE	TITLE:	DRAWN: <i>LCC 2024.06.13</i>	KONNRA 东莞市康瑞电子有限公司 DongGuan Konnra Electronics Co.,Ltd.			
	△A02				X.X ±0.30	NEG1S2 10.1 12.1	CHECKED:				
	△A01				X.XX ±0.20	16.1 CONN.	APPROVED:	PART NO.: A05009**13G0304RL			
	MARK	REVISION DESCRIPTION	SIGNATURE	DATE	X.XXX ±0.10	PACKING	SHEET: 3/3	PROJECTION	REV.: A01	DRAWING NO.: A0500904-L-S	
	1	2	3	4	Angle ±2°	UNIT:mm	SCALE: 1:1	7	8	9	